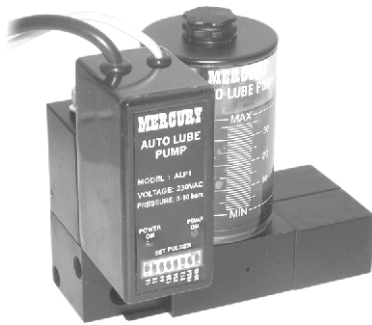




Positive, programmed lubrication of compressed air equipment, machine slides, bearings etc.



MODEL : ALP1



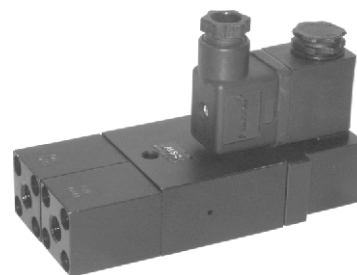
MODEL : ALAD1



MODEL : ALS1



MODEL : ALP1G & ALS1G



MODEL : ALS2

Salient Features

- **Efficient lubrication** : Oil outlet can be connected at the actual point where lubrication is required.
- **Guaranteed lubrication** : Not dependent on flow rate of compressed air.
- **Positive lubrication** : oil is injected at high pressure, ensuring lubrication of restricted areas.
- **Programmed lubrication** : Adjustable frequency (hence quantity) of lubrication to suit different machine speeds.

7.01 Pulse operated Model ALP1

- a) This is useful for machines having slides, bearings etc., besides lubricating the pneumatic components.
- b) There are 2 cables from the coil/counter, Black for 230VAC input and grey for connecting to the N.O. Point of a limit switch which can be mounted and actuated by any moving part of the machine.
- c) The number of pulses after which oil should be pumped has to be set by shifting a DIP switch. Settings available are 16, 32, 64, 128, 256, 512, 1024 and 2048. The estimation of oil requirement (1 pumping = 2 drops after any of above setting) has to be done by the customer considering the reciprocating and rotating speed of the bearings and slides.
- d) This model is targeted to the centralized lubrication users and is not restricted for use on pneumatics only

7.02 Solenoid operated Model ALS1

For use on machine operated by PLC's or other controllers. The signal to the solenoid will come after number of cycles set on the PLC. Very useful for "PET" blow moulding machines, injection moulding machines etc.,

7.03 Solenoid operated Model ALS2

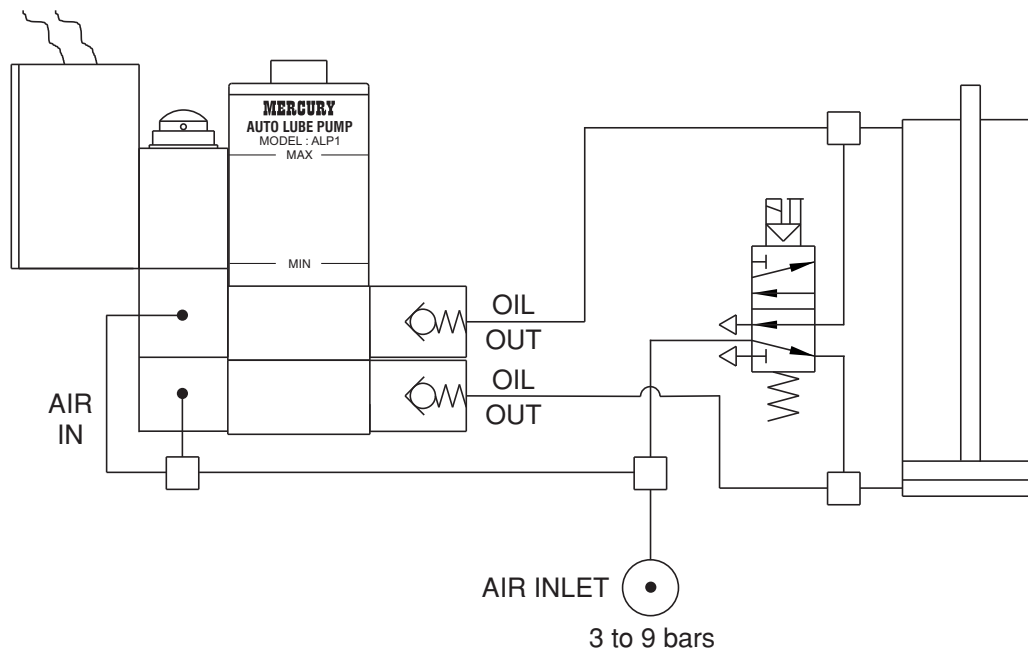
This has been specially designed to fit on our new Hydro Pneumatic Presses with Autolube. It does not have an oil reservoir, as oil is taken from the Press Cylinder reservoir. It can also be used on hydraulic presses and other machines which have an hydraulic tank.

7.04 Multipoint Lubrication

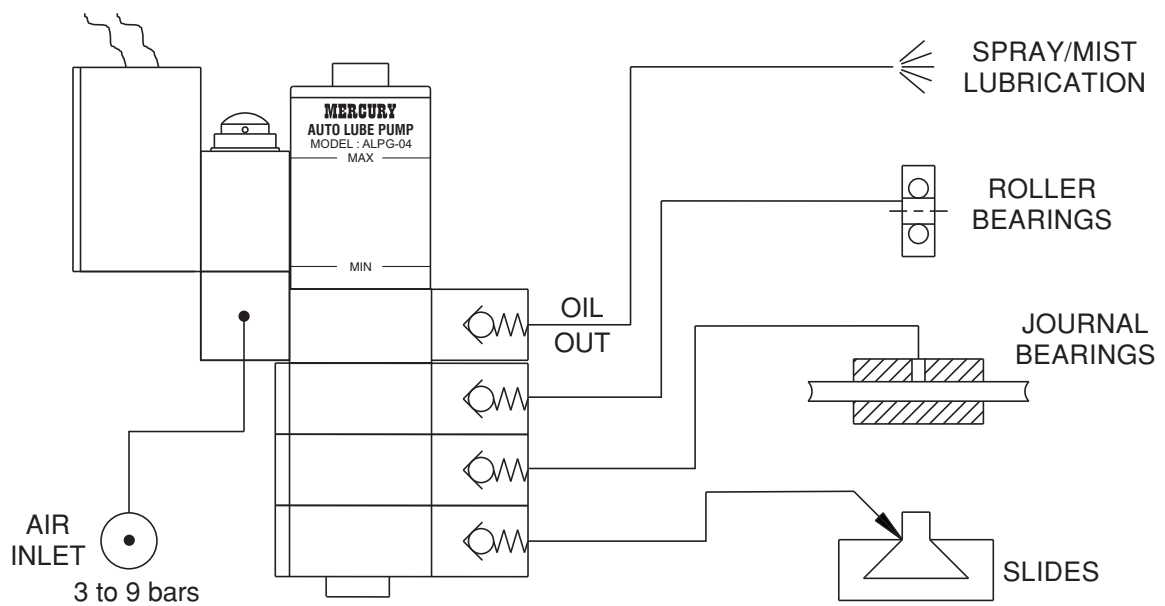
Both the pulse and solenoid models can be gang assembled for multipoint lubrication. Typically in a machine having several large (say 100Ø) and small (say 25Ø) cylinders, oil will invariably go the large bore cylinder. In such a situation injecting oil separately to the inlet of the small bore cylinder and the big cylinder, will ensure positive lubrication of both cylinders and valves.

We can provide gang assembly of upto 10 pumps and a larger oil reservoir if required.

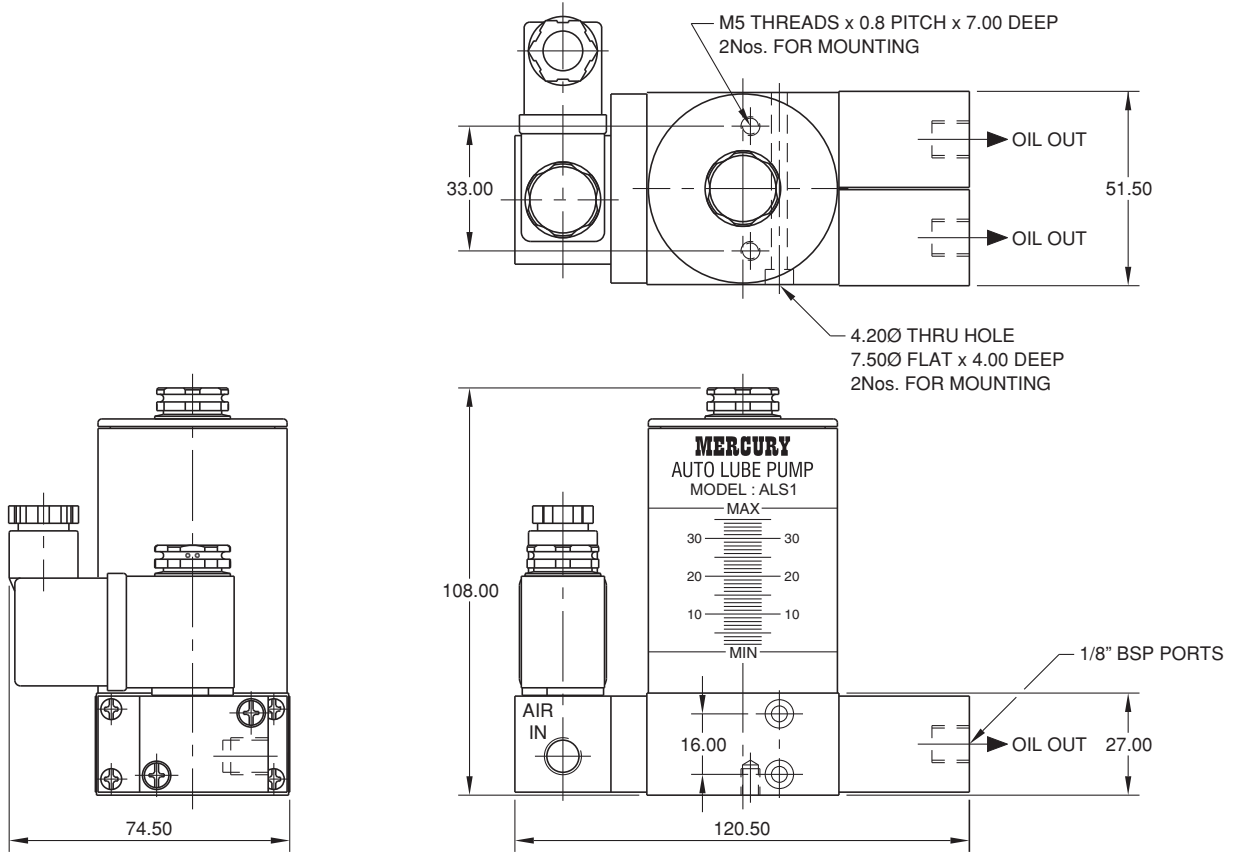
Circuit Diagram for Lubricating Compressed Air Equipment



Circuit Diagram for Machine Slides & Bearings, Multi Point Lubrication



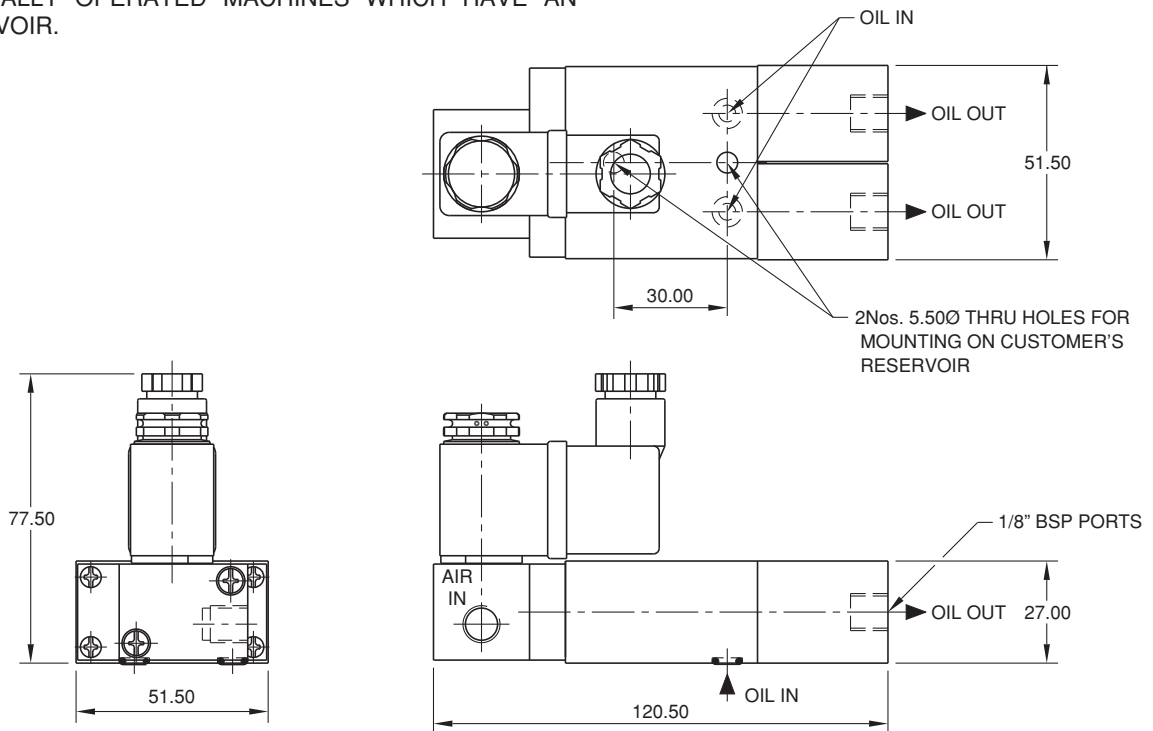
Solenoid Operated with Oil Reservoir MODEL : ALS1



*** Seal Kit No. SKALS1**

Solenoid Operated without Oil Reservoir MODEL : ALS2

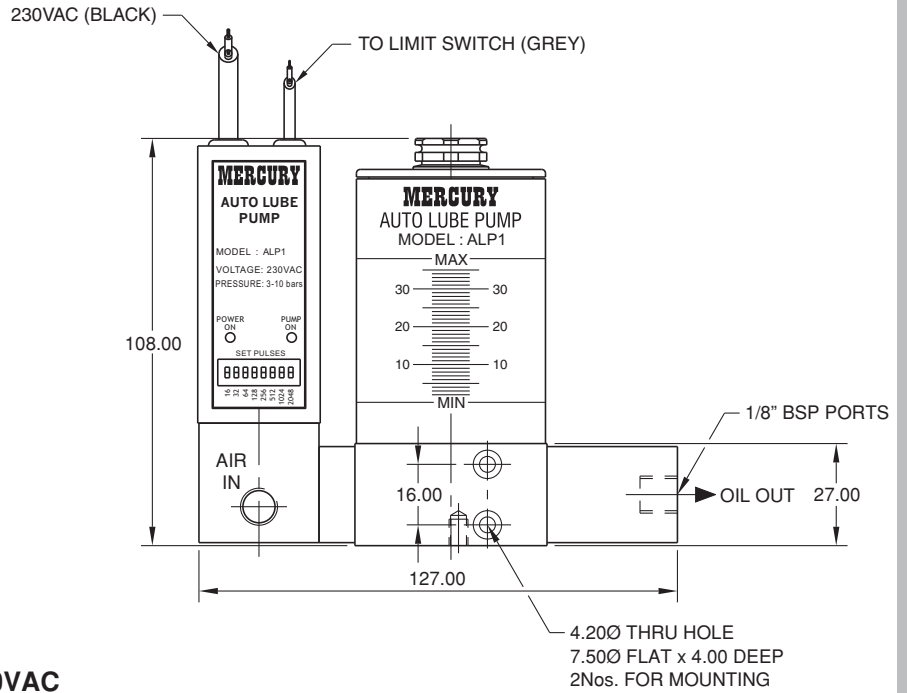
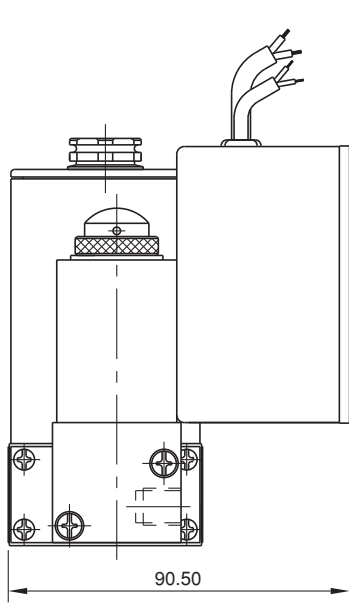
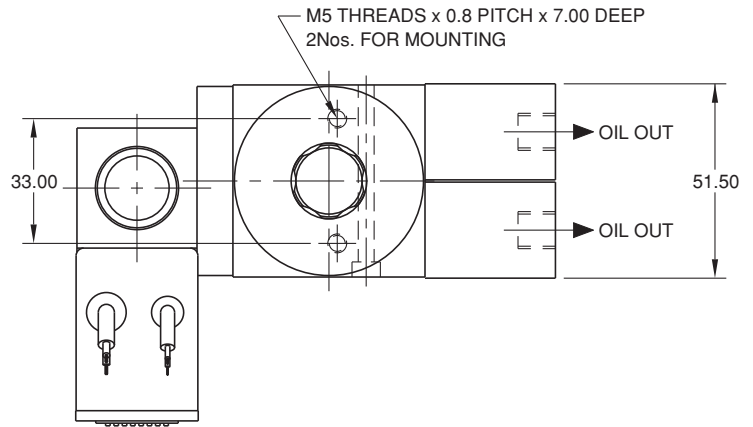
USED ON OUR HYDRO PNEUMATIC PRESSES AND OTHER HYDRAULICALLY OPERATED MACHINES WHICH HAVE AN OIL RESERVOIR.



*** Seal Kit No. SKALS2**

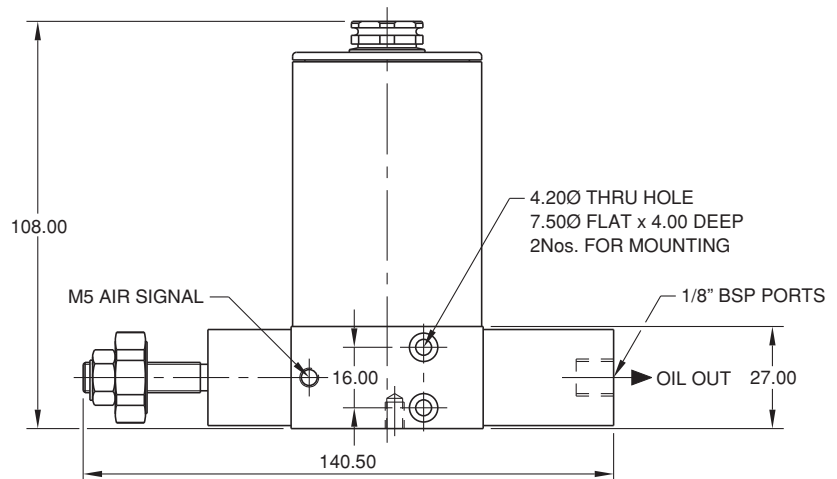
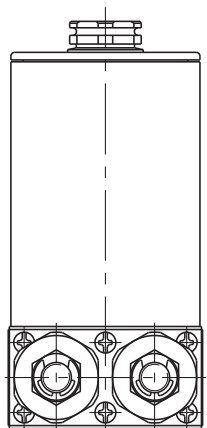
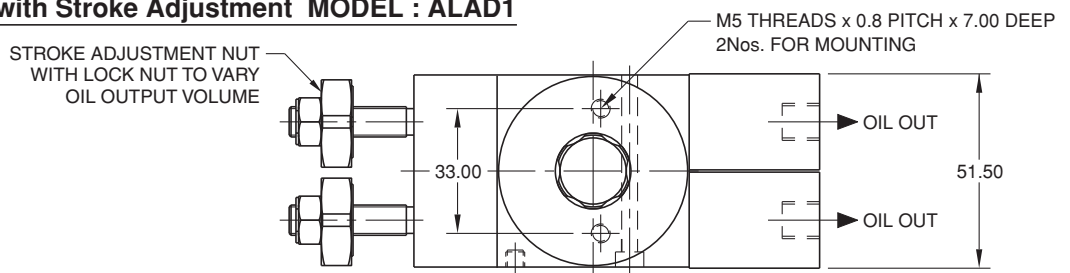
Pulse Operated MODEL : ALP1

Input Air Pressure : 3 to 9Kg/cm²
 Output oil discharge/stroke : 0.06 c.c./stroke
 (approximately 2 drops)
 Reservoir volume : 70 c.c. (Larger reservoirs available on request)
 Input Voltage : 230VAC for Pulse operated
 230VAC or 24VDC for Solenoid operated
 Pulse frequency adjustment : 16, 32, 64, 128, 256, 512, 1024 & 2048
 Pulse duration : 1sec
 Pulse Signal : Voltage free make & break through limit switch



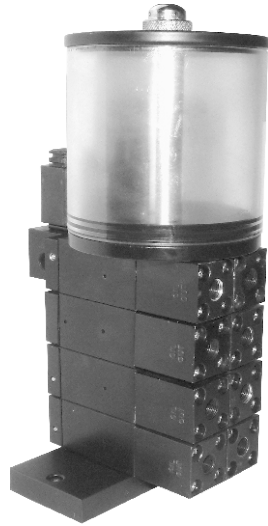
- 1) Seal Kit No. SKALP1
- 2) Timer Part No. 18-073 for 230VAC
- 3) Timer Part No. 18-074 for 24VDC

Air Pulse Operated with Stroke Adjustment MODEL : ALAD1



* Seal Kit No. SKALAD1

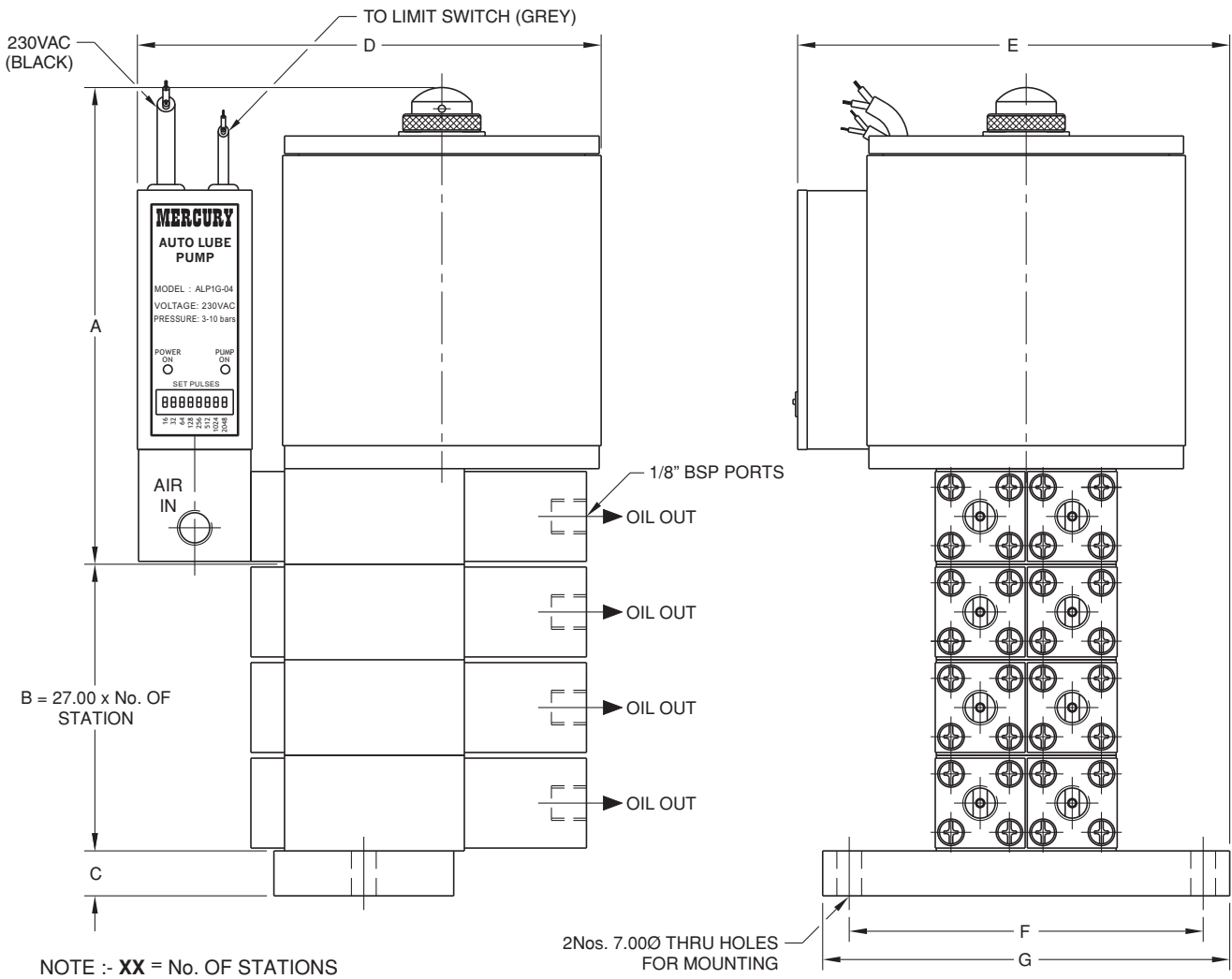
Multi Point Lubrication



**SOLENOID OPERATED
MODEL :- ALS1G-XXX**



**PULSE OPERATED
MODEL :- ALP1G-XXX**



NOTE :- **XX** = No. OF STATIONS

2Nos. 7.000 THRU HOLES FOR MOUNTING

MODEL No.	OIL RESERVOIR CAPACITY	A	C	D	E	F	G	SEAL KIT No.
ALS1G-70-XX	70 ml	108.00	9.50	120.50	84.00	65.00	77.00	SKALS1G-70-XX
ALS1G-250-XX	250 ml	135.00	12.70	124.50	115.00	100.00	115.00	SKALS1G-250-XX
ALS1G-500-XX	500 ml	186.00	12.70	124.50	115.00	100.00	115.00	SKALS1G-500-XX
ALS1G-750-XX	750 ml	237.00	12.70	124.50	115.00	100.00	115.00	SKALS1G-750-XX
ALS1G-1000-XX	1000 ml	288.00	12.70	124.50	115.00	100.00	115.00	SKALS1G-1000-XX
ALP1G-70-XX	70 ml	108.00	9.50	127.00	104.50	65.00	77.00	SKALP1G-70-XX
ALP1G-250-XX	250 ml	135.00	12.70	131.00	122.00	100.00	122.00	SKALP1G-250-XX
ALP1G-500-XX	500 ml	186.00	12.70	131.00	122.00	100.00	122.00	SKALP1G-500-XX
ALP1G-750-XX	750 ml	237.00	12.70	131.00	122.00	100.00	122.00	SKALP1G-750-XX
ALP1G-1000-XX	1000 ml	288.00	12.70	131.00	122.00	100.00	122.00	SKALP1G-1000-XX