



Direct Acting Standard Solenoid Valves (M32)

Series "D" 1/8" BSP & 1/4" BSP 2/2 & 3/2 Direct Acting Solenoid valves and Gang Assembly

MERCURY

Mechanical Characteristic

Body	: Aluminium (Brass & Stainless Steel on request)
Orifice	: Ø1.50mm (other orifice available on request, refer chart)
Ports	: G1/8" BSP & G1/4" BSP Female
Seals	: Nitrile Rubber
Design	: Poppet type, directly actuated
Weight	: Refer to technical data

Operating Conditions

Media	: Compressed Air (filtered 40µ), Vacuum
Temperature Range	: 0° to +50°C
Vacuum	: To -0.9 bar
Leakage	: Bubble Tight
Pressure Range	: 0 to 10 bar
Flow (NLPM)	: 65 Normal litres per min.

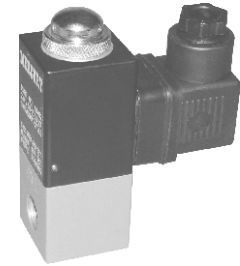
Electrical Conditions

Coil Voltage	: 6,12 & 24 VDC; 12, 24, 42,110, 230 & 440VAC ±10%
Power	: DC - 7.5 W; AC - 9 VA Hold, 18 VA Pickup
Duty Cycle	: Continuous
Response Time	: 10 msec ON / 20 msec OFF
Protection	: IP 65 (as per DIN 40 050)
Connector	: Black (illuminated on request)

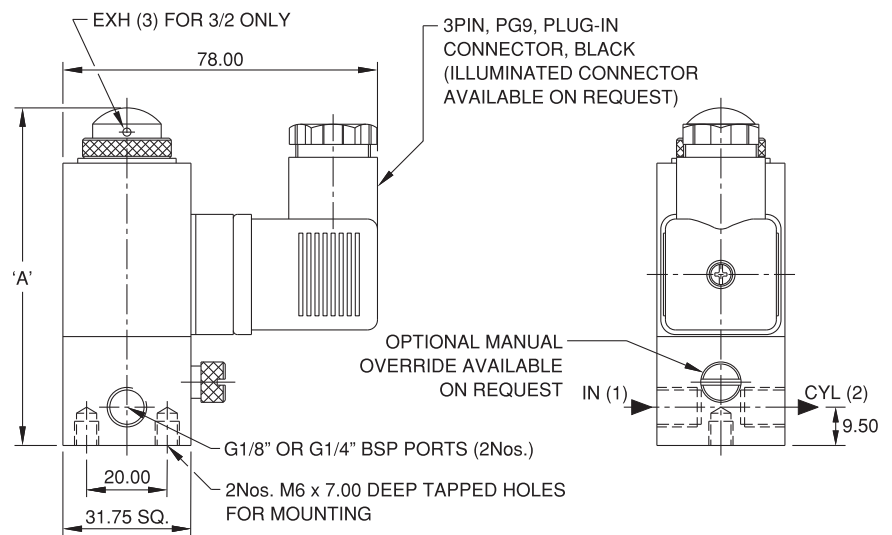
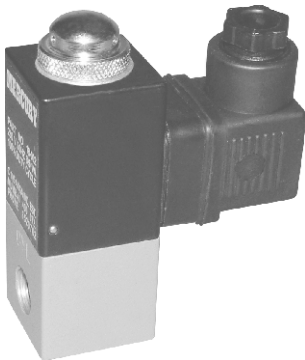
NOTE :- While ordering please specify

1. Orifice required, if other than standard 1.50mm dia.
2. Optional manual override available on request.
3. * Coil voltage & type of connector. Add voltage & connector suffix as below to model no.

Connector	230VAC	24VAC	12VAC	24VDC	12VDC	110VAC	48VAC	440VAC	6VDC
BLACK	A	B	C	D	E	F	G	H	J
ILLUMINATED	L	M	N	P	Q	R	S	T	U



1/8" BSP & 1/4" BSP 2/2 (2 WAY) & 3/2 (3 WAY) Normally Closed Direct Acting Solenoid Valve



(!) ORIFICE - PRESSURE CHART

ORIFICE mm	MAX. PRESSURE bar
Ø1.50	10.0
Ø2.00	8.0
Ø2.50	5.2
Ø3.00	4.0
Ø4.00	2.5
Ø5.00	1.7
Ø6.00	1.1

MODEL No.	SIZE (BSP)	DESCRIPTION	'A'	SYMBOL	WEIGHT (Kg.)	SEAL KIT No.
D121(!)*	1/8"	2/2 (2 WAY) NORMALLY CLOSED	85.00		0.33	SKD121
D122(!)*	1/4"		89.00		0.34	SKD122
D321(!)*	1/8"	3/2 (3 WAY) NORMALLY CLOSED	85.00		0.33	SKD321
D322(!)*	1/4"		89.00		0.34	SKD322

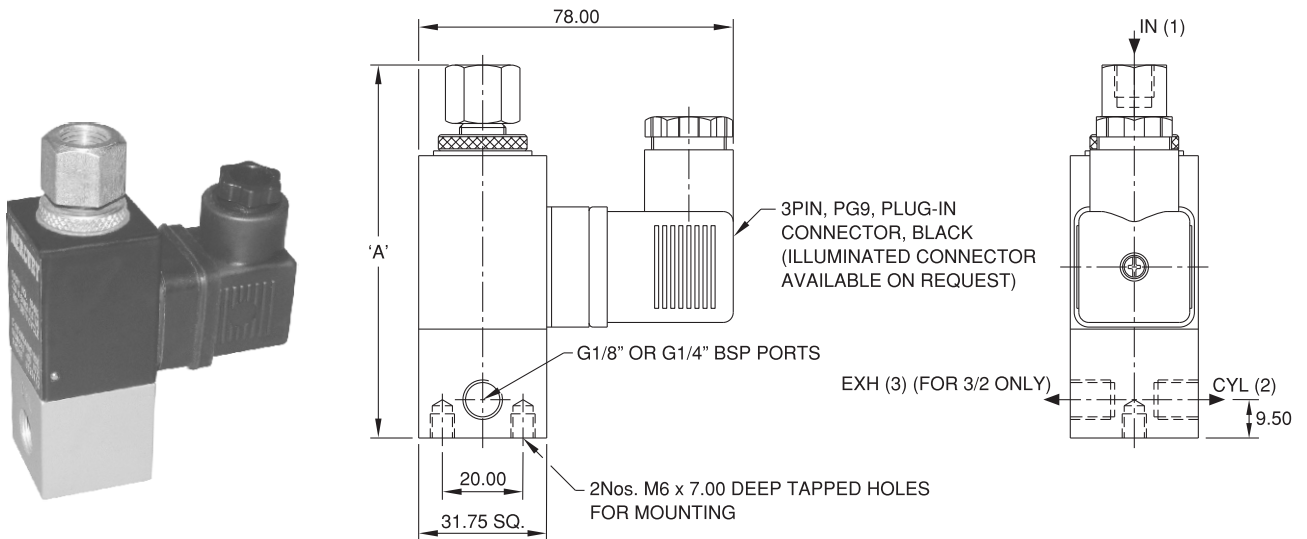
(!) ADD ORIFICE AS PER CHART

* ADD VOLTAGE & CONNECTOR SUFFIX WHILE ORDERING

Example :- 1/4" 3/2 Solenoid-Spring Valve with 2.00mm Orifice, 230VAC illuminated connector.

D322(2)L

1/8" BSP & 1/4" BSP 2/2 (2 WAY) 3/2 (3 WAY) Normally Open Direct Acting Solenoid Valve



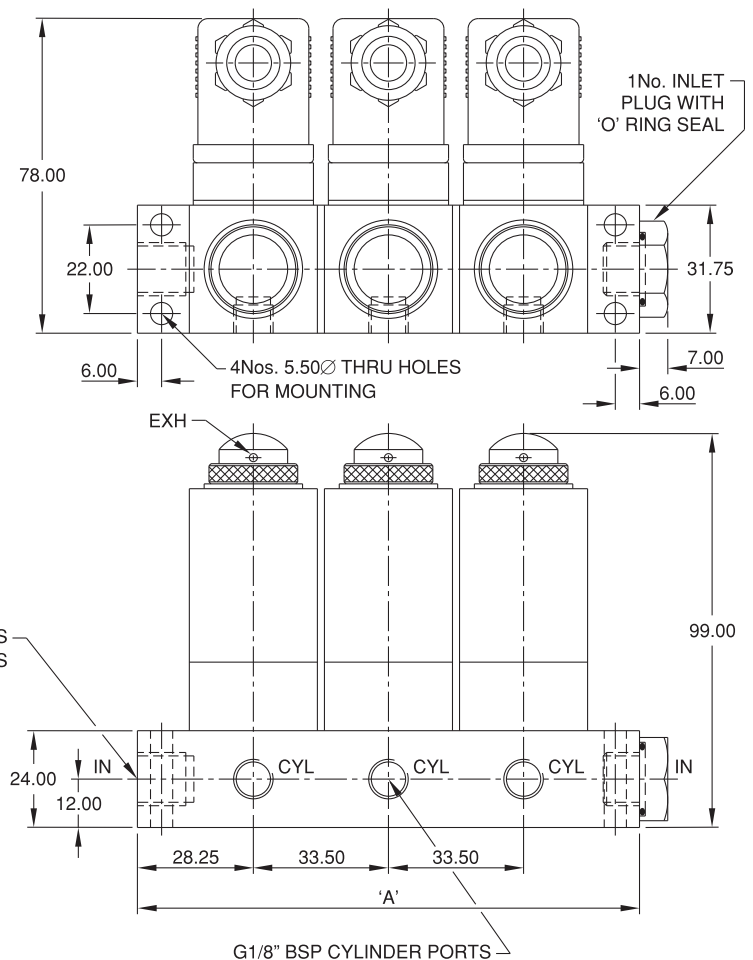
MODEL No.	SIZE (BSP)	DESCRIPTION	'A'	SYMBOL	WEIGHT (Kg.)	SEAL KIT No.
D221(!) *	1/8"	2/2 (2 WAY) NORMALLY OPEN	93.00		0.35	SKD221
D222(!) *	1/4"		97.00			
D421(!) *	1/8"	3/2 (3 WAY) NORMALLY OPEN	93.00		0.35	SKD421
D422(!) *	1/4"		97.00			

(!) ADD ORIFICE AS PER CHART

* ADD VOLTAGE & CONNECTOR SUFFIX WHILE ORDERING

Gang Manifold Assemblies 1/8" BSP 3/2 (3 WAY) Direct Acting Solenoid Valves

Note:- Special gang assemblies as per customer circuit can be designed and supplied.



MODEL No.	'A' (± 25)	WEIGHT (Kg.)	SEAL KIT No.
DG-02*	90.00, FOR 2 VALVES	0.78	SKDG-02
DG-03*	123.50, FOR 3 VALVES	1.12	SKDG-03
DG-04*	157.00, FOR 4 VALVES	1.47	SKDG-04
DG-05*	190.00, FOR 5 VALVES	1.81	SKDG-05
DG-06*	224.00, FOR 6 VALVES	2.15	SKDG-06
DG-07*	257.50, FOR 7 VALVES	2.50	SKDG-07
DG-08*	291.00, FOR 8 VALVES	2.84	SKDG-08

* ADD VOLTAGE & CONNECTOR SUFFIX WHILE ORDERING