



**Mechanical Characteristic**

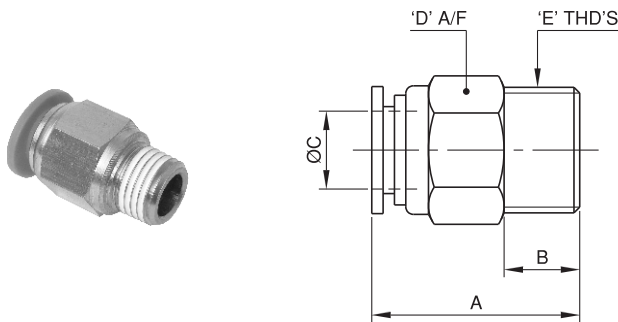
Fitting	: Nickle Plated Brass
Body	: Glass reinforced nylon 6.6
Release Collar	: Nylon
Gripping Ring	: Stainless Steel
Seals	: Nitrile Rubber

**Operating Conditions**

Media	: Compressed Air
Temperature Range	: +5° to +50°C
Pressure	: 10 bar max.
Leakage	: Bubble Tight

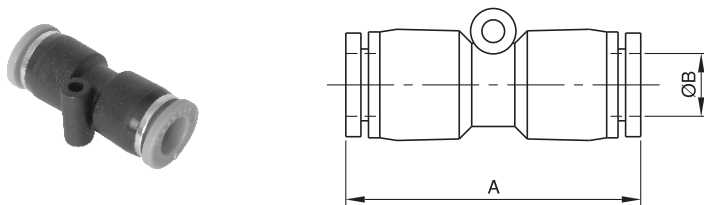


**MODEL :- MPC**



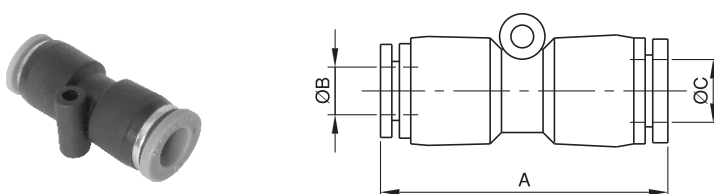
MODEL No.	A	B	ØC (Tube O.D.)	D A/F	E THD'S
MPC 04-M5	20.50	3.50	4.00	12.00	M5
MPC 04-01	19.50	7.50	4.00	10.00	1/8" BSP
MPC 04-02	18.00	9.50	4.00	14.00	1/4" BSP
MPC 06-M5	20.00	4.00	6.00	10.00	M5
MPC 06-M6	20.00	4.00	6.00	10.00	M6
MPC 06-01	20.00	7.50	6.00	12.00	1/8" BSP
MPC 06-02	22.00	9.50	6.00	14.00	1/4" BSP
MPC 06-03	20.00	10.00	6.00	17.00	3/8" BSP
MPC 06-04	23.50	13.00	6.00	21.00	1/2" BSP
MPC 08-01	25.50	7.50	8.00	14.00	1/8" BSP
MPC 08-02	24.50	9.50	8.00	14.00	1/4" BSP
MPC 08-03	21.50	10.00	8.00	17.00	3/8" BSP
MPC 08-04	25.50	13.00	8.00	21.00	1/2" BSP
MPC 10-02	30.00	9.50	10.00	17.00	1/4" BSP
MPC 10-03	27.50	10.00	10.00	17.00	3/8" BSP
MPC 10-04	26.00	13.00	10.00	21.00	1/2" BSP
MPC 12-02	33.00	9.50	12.00	21.00	1/4" BSP
MPC 12-03	30.00	10.50	12.00	21.00	3/8" BSP
MPC 12-04	33.00	13.00	12.00	21.00	1/2" BSP

**MODEL :- MPU**



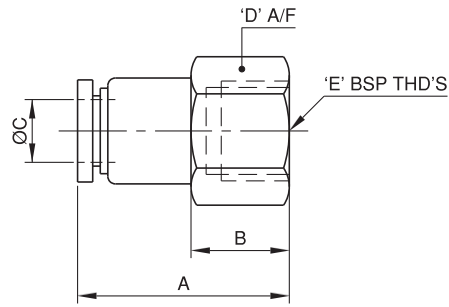
MODEL No.	A	ØB (Tube O.D.)
MPU 04	33.00	4.00
MPU 06	36.00	6.00
MPU 08	39.00	8.00
MPU 10	47.50	10.00
MPU 12	49.00	12.00

**MODEL :- MPU (Un-Equal)**



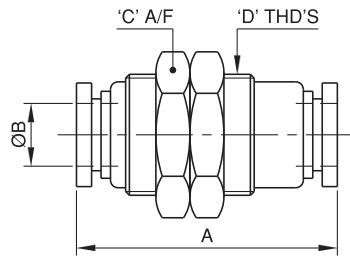
MODEL No.	A	ØB (Tube O.D.)	ØC (Tube O.D.)
MPU 04-06	34.00	4.00	6.00
MPU 06-08	38.00	6.00	8.00
MPU 08-10	46.00	8.00	10.00
MPU 08-12	48.50	8.00	12.00
MPU 10-12	49.00	10.00	12.00

### MODEL :- MPCF



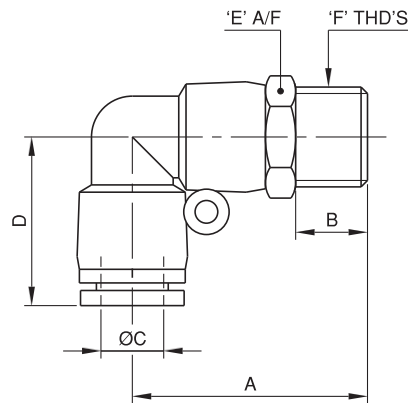
MODEL No.	A	B	ØC (Tube O.D.)	D A/F	E THD'S
MPCF 06-01	24.00	10.00	6.00	14.00	1/8"
MPCF 06-02	27.00	13.00	6.00	17.00	1/4"
MPCF 06-03	28.00	14.00	6.00	21.00	3/8"
MPCF 06-04	30.00	16.00	6.00	24.00	1/2"
MPCF 08-01	26.00	10.50	8.00	14.00	1/8"
MPCF 08-02	28.00	13.00	8.00	17.00	1/4"
MPCF 08-03	29.50	14.00	8.00	21.00	3/8"
MPCF 10-02	32.50	14.00	10.00	17.00	1/4"
MPCF 12-03	34.00	13.00	12.00	21.00	3/8"
MPCF 12-04	36.00	16.50	12.00	24.00	1/2"

### MODEL :- MPM



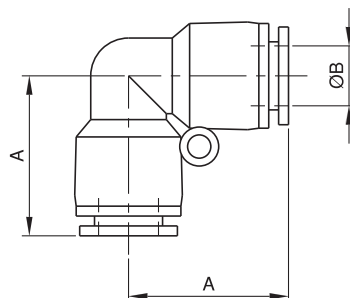
MODEL No.	A	ØB (Tube O.D.)	C A/F	D THD'S
MPM 04	30.00	4.00	14.00	M12x1.0
MPM 06	31.00	6.00	17.00	M14x1.0
MPM 08	34.50	8.00	19.00	M16x1.0
MPM 10	41.50	10.00	24.00	M20x1.0
MPM 12	44.00	12.00	27.00	M22x1.0

### MODEL :- MPL



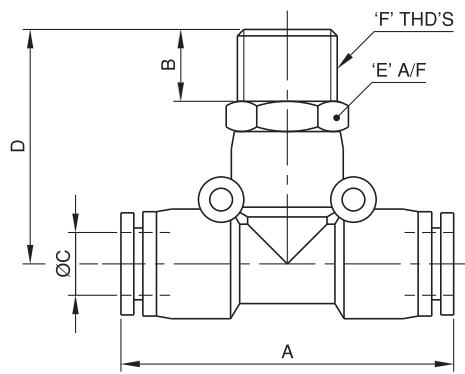
MODEL No.	A	B	ØC (Tube O.D.)	D	E A/F	F THD'S
MPL 04-M5	22.00	3.50	4.00	18.50	10.00	M5
MPL 04-01	25.00	7.50	4.00	18.50	10.00	1/8"BSP
MPL 04-02	28.00	9.50	4.00	18.50	14.00	1/4"BSP
MPL 06-M5	23.00	3.50	6.00	18.50	12.00	M5
MPL 06-01	25.00	7.50	6.00	18.50	12.00	1/8"BSP
MPL 06-02	28.00	9.50	6.00	18.50	14.00	1/4"BSP
MPL 06-03	30.00	10.50	6.00	18.50	17.00	3/8"BSP
MPL 06-04	33.00	13.00	6.00	18.50	21.00	1/2"BSP
MPL 08-01	29.50	7.50	8.00	22.50	14.00	1/8"BSP
MPL 08-02	31.00	9.50	8.00	22.50	14.00	1/4"BSP
MPL 08-03	32.50	10.00	8.00	22.50	17.00	3/8"BSP
MPL 08-04	36.00	13.00	8.00	22.50	21.00	1/2"BSP
MPL 10-02	36.00	9.50	10.00	27.50	17.00	1/4"BSP
MPL 10-03	37.00	10.00	10.00	27.50	17.00	3/8"BSP
MPL 10-04	40.50	13.00	10.00	27.50	21.00	1/2"BSP
MPL 12-02	38.00	9.50	12.00	29.00	21.00	1/4"BSP
MPL 12-03	39.00	9.50	12.00	29.00	21.00	3/8"BSP
MPL 12-04	42.00	12.50	12.00	29.00	21.00	1/2"BSP

### MODEL :- MPV



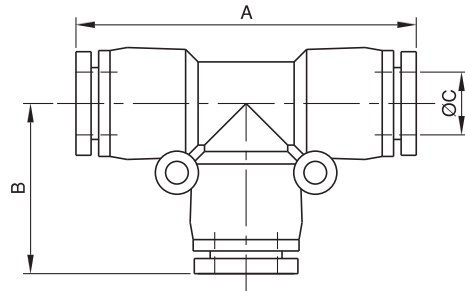
MODEL No.	A	ØB (Tube O.D.)
MPV 04	18.50	4.00
MPV 06	19.00	6.00
MPV 08	22.50	8.00
MPV 10	27.50	10.00
MPV 12	29.00	12.00

### MODEL :- MPB



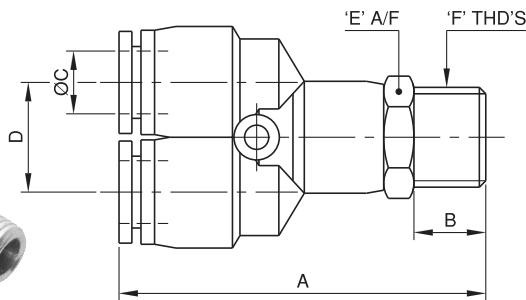
MODEL No.	A	B	ØC (Tube O.D.)	D	E A/F	E THD'S
MPB 04-M5	37.00	4.00	4.00	22.50	10.00	M5
MPB 04-01	37.00	7.50	4.00	25.00	10.00	1/8"BSP
MPB 04-02	37.00	9.50	4.00	28.00	14.00	1/4"BSP
MPB 06-M5	38.00	3.50	6.00	23.50	12.00	M5
MPB 06-01	38.00	7.50	6.00	26.00	12.00	1/8"BSP
MPB 06-02	38.00	9.50	6.00	28.50	14.00	1/4"BSP
MPB 06-03	38.00	10.00	6.00	30.00	17.00	3/8"BSP
MPB 06-04	38.00	13.00	6.00	33.50	21.00	1/2"BSP
MPB 08-01	45.00	7.50	8.00	29.00	14.00	1/8"BSP
MPB 08-02	45.00	9.50	8.00	31.00	14.00	1/4"BSP
MPB 08-03	45.00	10.00	8.00	33.00	17.00	3/8"BSP
MPB 08-04	45.00	13.00	8.00	36.50	21.00	1/2"BSP
MPB 10-02	55.50	9.50	10.00	34.00	14.00	1/4"BSP
MPB 10-03	55.50	10.00	10.00	37.50	17.00	3/8"BSP
MPB 10-04	55.50	13.00	10.00	41.00	21.00	1/2"BSP
MPB 12-02	58.00	9.50	12.00	38.00	21.00	1/4"BSP
MPB 12-03	58.00	10.50	12.00	39.00	21.00	3/8"BSP
MPB 12-04	58.00	13.00	12.00	42.50	21.00	1/2"BSP

### MODEL :- MPE



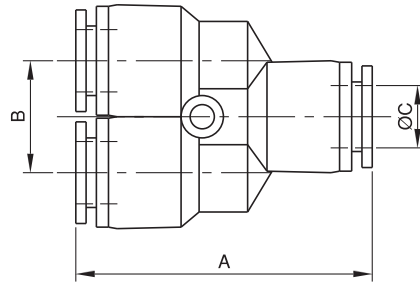
MODEL No.	A	B	ØC (Tube O.D.)
MPE 04	37.00	18.50	4.00
MPE 06	38.00	19.00	6.00
MPE 08	45.00	22.50	8.00
MPE 10	56.00	28.00	10.00
MPE 12	59.00	29.50	12.00

### MODEL :- MPX



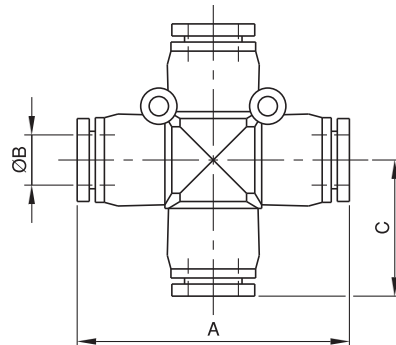
MODEL No.	A	B	ØC (Tube O.D.)	D	E A/F	E THD'S
MPX 04-M5	39.00	3.50	4.00	11.00	10.00	M5
MPX 04-01	42.00	7.00	4.00	11.00	10.00	1/8"BSP
MPX 04-02	45.00	9.50	4.00	11.00	14.00	1/4"BSP
MPX 06-M5	41.00	3.50	6.00	13.00	12.00	M5
MPX 06-01	43.50	6.50	6.00	13.00	12.00	1/8"BSP
MPX 06-02	46.00	9.50	6.00	13.00	14.00	1/4"BSP
MPX 06-03	47.50	10.50	6.00	13.00	17.00	3/8"BSP
MPX 06-04	51.00	13.00	6.00	13.00	21.00	1/2"BSP
MPX 08-01	46.00	7.50	8.00	14.50	14.00	1/8"BSP
MPX 08-02	48.50	9.50	8.00	14.50	14.00	1/4"BSP
MPX 08-03	50.00	10.50	8.00	14.50	17.00	3/8"BSP
MPX 08-04	54.00	13.00	8.00	14.50	21.00	1/2"BSP
MPX 10-02	58.00	9.50	10.00	18.00	17.00	1/4"BSP
MPX 10-03	59.00	10.50	10.00	18.00	17.00	3/8"BSP
MPX 10-04	62.00	13.50	10.00	18.00	21.00	1/2"BSP
MPX 12-02	61.50	9.50	12.00	21.00	21.00	1/4"BSP
MPX 12-03	62.50	10.50	12.00	21.00	21.00	3/8"BSP
MPX 12-04	65.50	13.50	12.00	21.00	21.00	1/2"BSP

### MODEL :- MPY



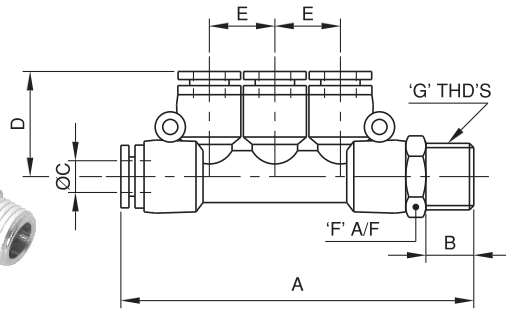
MODEL No.	A	B	ØC (Tube O.D.)
MPY 04	36.00	11.00	4.00
MPY 06	36.50	13.00	6.00
MPY 08	39.50	15.00	8.00
MPY 10	49.00	18.50	10.00
MPY 12	52.50	21.00	12.00

### MODEL :- MPZ



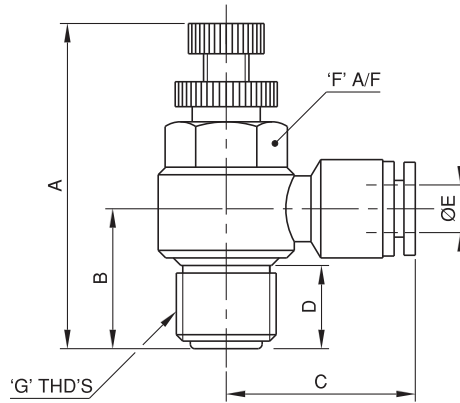
MODEL No.	A	ØB (Tube O.D.)	C
MPZ 04	37.00	4.00	18.50
MPZ 06	38.00	6.00	19.00
MPZ 08	45.00	8.00	22.50
MPZ 10	56.00	10.00	28.00
MPZ 12	59.00	12.00	29.50

### MODEL :- MPKD



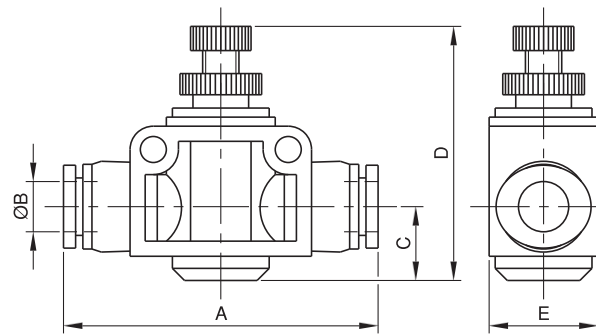
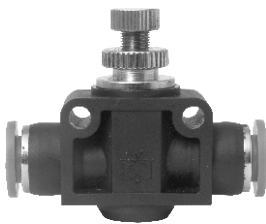
MODEL No.	A	B	ØC (Tube O.D.)	D	E	F A/F	G THD'S
MPKD 04-02	70.00	9.50	4.00	20.00	13.00	14.00	1/4"
MPKD 06-02	70.00	9.50	6.00	20.00	13.00	14.00	1/4"
MPKD 06-04	75.00	12.50	6.00	20.00	13.00	21.00	1/2"
MPKD 08-04	94.50	12.50	10.00	24.00	15.00	21.00	1/2"
MPKD 10-04	103.00	12.50	10.00	27.00	18.50	21.00	1/2"

### MODEL :- MSC



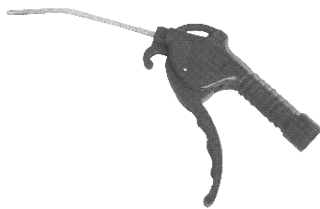
MODEL No.	A	B	C	D	ØE (Tube O.D.)	F A/F	G THD'S
MSC 04-M5	30.50	10.50	20.00	3.00	4.00	8.00	M5
MSC 04-01	36.50	14.50	22.00	7.50	4.00	12.00	1/8"BSP
MSC 04-02	43.00	18.50	25.00	10.50	4.00	14.00	1/4"BSP
MSC 06-M5	30.00	11.50	21.50	3.00	6.00	8.00	M5
MSC 06-01	37.00	15.00	23.00	7.00	6.00	12.00	1/8"BSP
MSC 06-02	43.00	18.50	25.00	11.00	6.00	14.00	1/4"BSP
MSC 06-03	49.50	21.50	28.50	12.00	6.00	19.00	3/8"BSP
MSC 06-04	55.00	26.00	34.50	15.00	6.00	24.00	1/2"BSP
MSC 08-01	36.50	15.50	25.00	7.00	8.00	12.00	1/8"BSP
MSC 08-02	44.50	19.50	28.50	10.50	8.00	14.00	1/4"BSP
MSC 08-03	46.50	22.00	35.00	12.50	8.00	19.00	3/8"BSP
MSC 08-04	55.00	26.00	32.00	15.00	8.00	24.00	1/2"BSP
MSC 10-02	43.00	21.00	32.00	10.50	10.00	14.00	1/4"BSP
MSC 10-03	46.50	23.00	32.50	12.50	10.00	19.00	3/8"BSP
MSC 10-04	54.50	26.00	35.50	15.00	10.00	24.00	1/2"BSP
MSC 12-02	44.50	22.50	33.00	10.50	12.00	14.00	1/4"BSP
MSC 12-03	46.50	24.50	35.00	12.50	12.00	19.00	3/8"BSP
MSC 12-04	56.50	27.00	36.50	15.00	12.00	24.00	1/2"BSP

### MODEL :- MSU

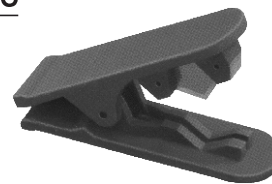


MODEL No.	A	ØB (Tube O.D.)	C	D	E
MSU 04	40.00	4.00	6.00	27.50	11.50
MSU 06	47.50	6.00	11.00	39.50	15.00
MSU 08	52.00	8.00	12.00	42.50	18.00
MSU 10	62.00	10.00	12.00	47.00	21.00
MSU 12	73.50	12.00	15.50	50.50	28.00

### Blow Gun - BG



### Tube Cutter - BC



### PU Tubings - U



PU Tube (Metric)
U 4 OD x 2.5 ID x 200 Mtr. T
U 4 OD x 2.5 ID x 200 Mtr. B
U 6 OD x 4.0 ID x 100 Mtr. B
U 8 OD x 5.0 ID x 100 Mtr. B
U 8 OD x 5.5 ID x 100 Mtr. B
U 8 OD x 6.0 ID x 100 Mtr. B
U 10 OD x 6.5 ID x 100 Mtr. B
U 10 OD x 8.0 ID x 100 Mtr. B
U 12 OD x 8.0 ID x 100 Mtr. B
U 12 OD x 9.0 ID x 100 Mtr. B
U 12 OD x 10.0 ID x 100 Mtr. B
U 16 OD x 12.0 ID x 100 Mtr. B

T - Transparent  
B - Blue

### PU Tubings - UC



PU Tube (Metric) Coiled
UC 6 OD x 4 ID x 3 Mtr.
UC 6 OD x 4 ID x 5 Mtr.
UC 6 OD x 4 ID x 10 Mtr.
UC 6 OD x 8 ID x 3 Mtr.
UC 6 OD x 8 ID x 5 Mtr.
UC 6 OD x 8 ID x 10 Mtr.
UC 8 OD x 5 ID x 5 Mtr.
UC 8 OD x 5 ID x 10 Mtr.
UC 8 OD x 5.5 ID x 5 Mtr.
UC 8 OD x 5.5 ID x 10 Mtr.
UC 8 OD x 10 ID x 3 Mtr.
UC 8 OD x 10 ID x 5 Mtr.
UC 8 OD x 10 ID x 10 Mtr.
UC 10 OD x 6.5 ID x 5 Mtr.
UC 10 OD x 6.5 ID x 10 Mtr.
UC 12 OD x 8 ID x 3 Mtr.
UC 12 OD x 8 ID x 5 Mtr.
UC 12 OD x 8 ID x 10 Mtr.
UC 16 OD x 12 ID x 5 Mtr.
UC 16 OD x 12 ID x 10 Mtr.