



## Micro Cylinders Series M (ISO 6432)

Piston dia 12 to 25mm

# MERCURY

### Salient Features

- Unique design, low friction, self adjusting, double acting, 'T' ring seal for smooth, jerk free motion.
- Precision honed barrel
- Ground, super finished & hard chrome plated piston rod.
- Strokes up to 1000 mm.
- Double ended and single acting spring return models available against specific requests.

### Operating Conditions

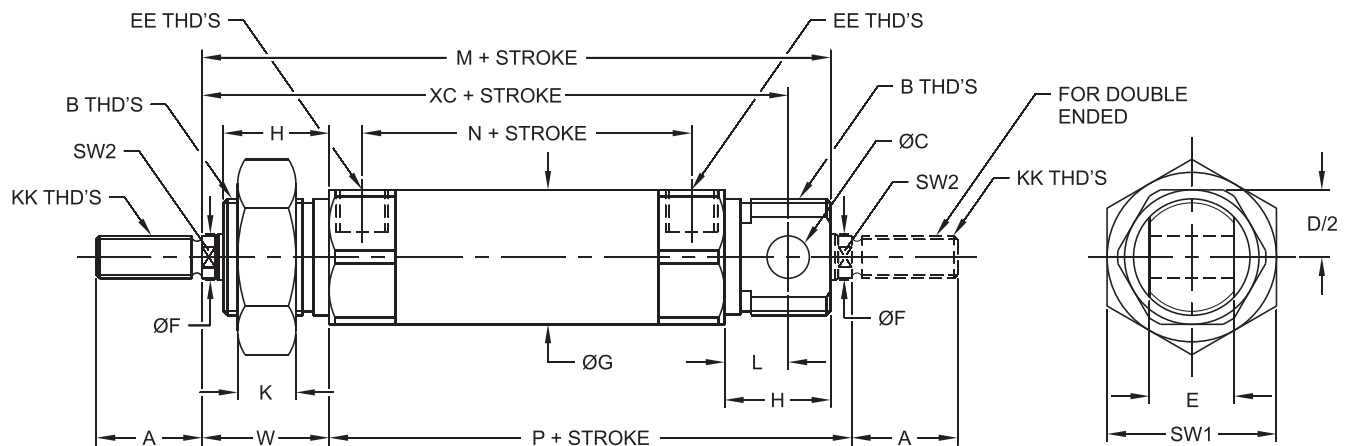
Media	: Air (filtered 40 $\mu$ & lubricated)
Temperature Range	: +5° to +50°C
Pressure Range	: 0.5 to 10 bar
Leakage	: Bubble Tight

### Mechanical Characteristic

Barrel	: $\varnothing 12, \varnothing 16, \varnothing 20$ & $\varnothing 25$ - Aluminium alloy
Piston Rod	: Carbon steel IS 5517 - C35
End Caps	: Aluminium alloy IS 63400 (6063T6)
Seals	: Nitrile rubber, polyurethane (Viton for high temp. on request)



## BASIC DIMENSIONS

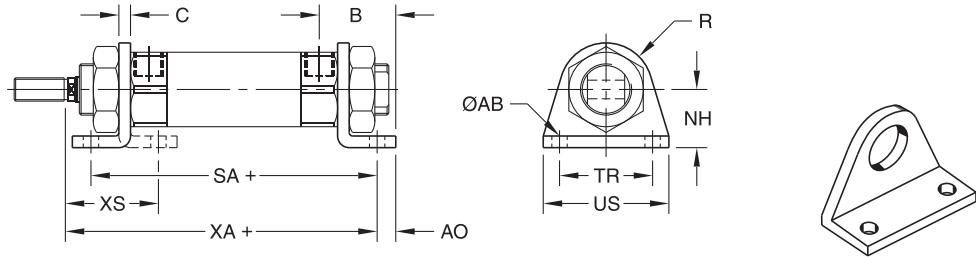


MODEL No.	PISTON $\varnothing$	A	B THD'S	$\varnothing C$	D	E	EE	EE BSP	$\varnothing F$	$\varnothing G$	H	K	KK THD'S	L	M	N	P	SW1	SW2	W	XC
M 12	12	16	M16 x 1.5	6	20	12	M5	-	6	16	17	8	M6 x 1	9	83	24	66	24	5	22	75
M 16	16	16	M16 x 1.5	6	22	12	M5	-	6	22	17	8	M6 x 1	9	90	41.5	73	24	5	22	82
M 20	20	20	M22 x 1.5	8	25.4	16	-	1/8"	8.7	25.4	20	11	M8 x 1.25	12	103	46.5	83	32	7	24	95
M 25	25	22	M22 x 1.5	8	32	16	-	1/8"	10.7	31.75	22	11	M10 x 1.25	12	114	50.6	92	32	9	28	104

STANDARD STROKES STOCKED FOR QUICK DELIVERY : 10, 25, 40, 50, 80, 100, 125, 160, 200, 250 & 300 mm.

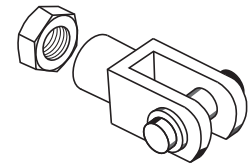


**ANGLE BRACKET**

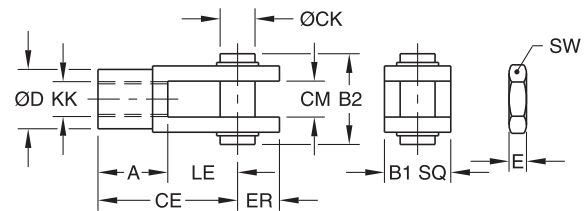


PART No.	CYL. BORE	ØAB	AO	B	C	NH	R	SA	TR	US	XA	XS
71-016-02	Ø12 Ø16	5.5	6	24.75	4	20	13	79	32	42	87	32
71-016-03	Ø20 Ø25	6.6	8	31.25 31.70	5	25	20	93 98	40	54	100 109	36 40

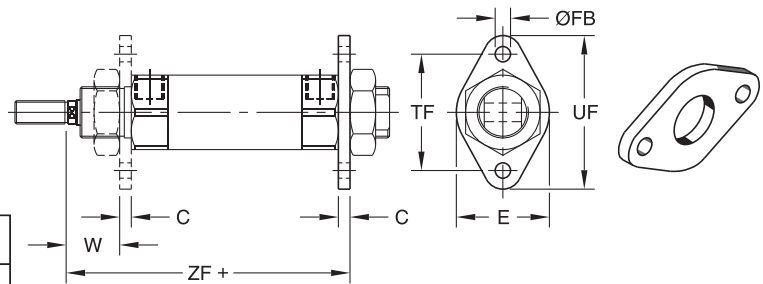
**ROD CLEVIS**



PART No.	CYL. BORE	A	B1	B2	CE	ØCK	CM	ØD	E	ER	KK	LE	SW
71-018-02	Ø12 Ø16	12	12	17.5	24	6	6	10	4	7	M6 x 1	12	10
71-018-03	Ø20	16	16	21.5	32	8	8	13	4	10	M8 x 1.25	16	13
71-007-01	Ø25	20	20	26	40	10	10	18	5	12	M10 x 1.25	20	17

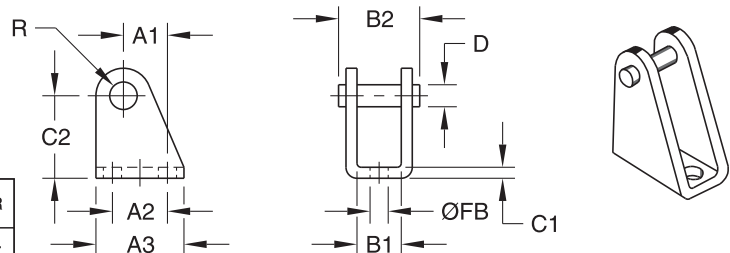


**FLANGE**



PART No.	CYL. BORE	C	E	ØFB	TF	UF	W	ZF
71-017-02	Ø12 Ø16	4	30	5.5	40	52	18	77
71-017-03	Ø20 Ø25	5	40	6.6	50	66	19 23	88 97

**CLEVIS FOOT**



PART No.	CYL. BORE	A1	A2	A3	B1	B2	C1	C2	D	ØFB	R
71-015-02	Ø12 Ø16	13	15	25	12.1	23	3	27	6	5.5	7
71-015-03	Ø20 Ø25	16	20	32	16.1	29.5	4	30	8	6.6	10