

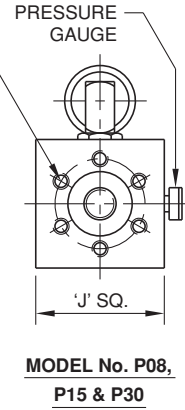
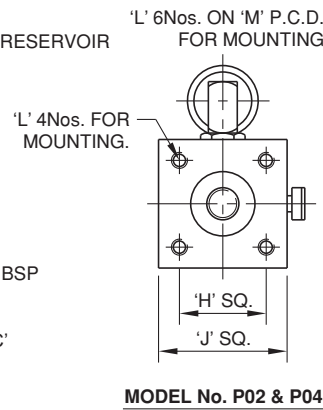
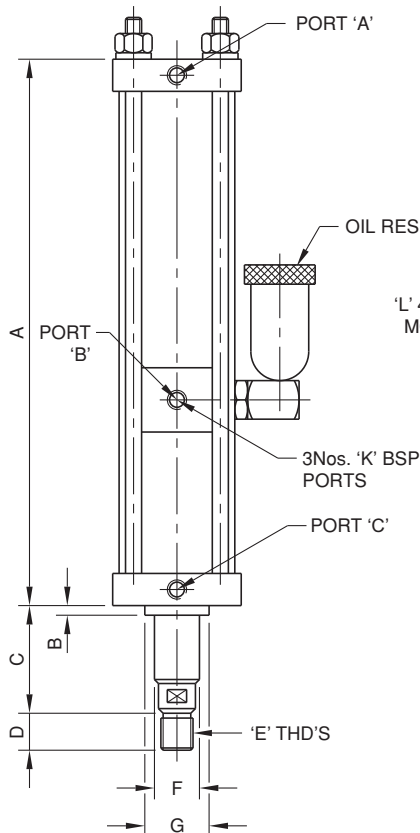


Series 'H' Hydro Pneumatic Press Cylinders

No Rapid Approach - Only Power Stroke



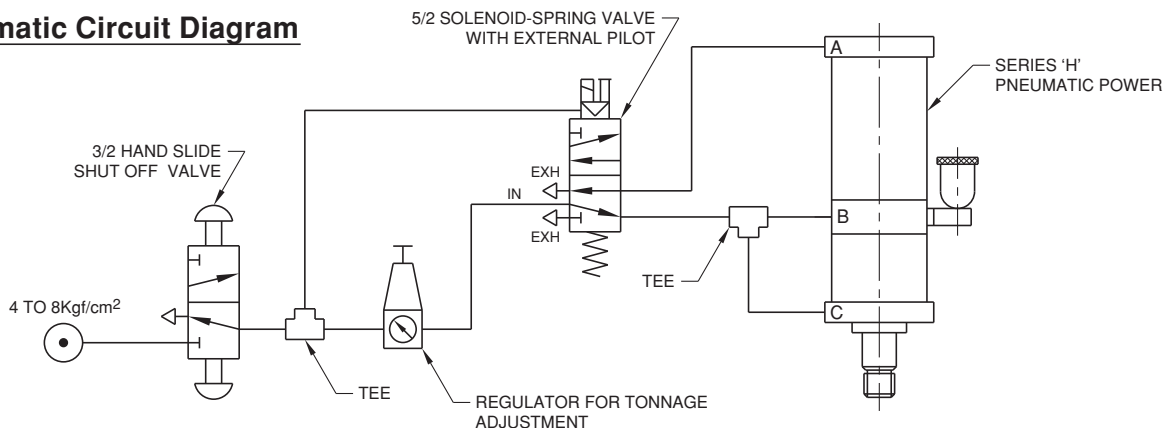
This system is used for applications where the job is automatically fed into the die and only a short travel is required for pressing



Output Forces (Kgf.) at Inlet Air Pressure of 5 Bars					
Tonnage	2T	4T	8T	15T	30T
Approach	100	230	400	750	925
Power	2000	4200	8000	15000	20000
Return	75	200	300	575	775

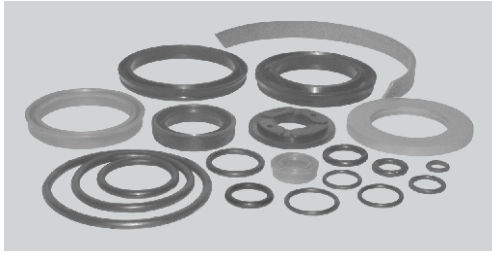
MODEL No.	TON	STROKE	A	B	C	D	E	F	G	H	J	K	L	M	AIR CONSUMPTION LITRES (NL) FREE AIR PER CYCLE AT 5 Kg/cm ²
P020H	2	4	315.5	4	90	30	M20 x 1.5	25.4	45	55	78	1/4"	M12 x 1.75	-	2.2
P023H	2	10	416.5	4	109	30	M20 x 1.5	25.4	45	55	78	1/4"	M12 x 1.75	-	5.6
P040H	4	4	369	4	93	35	M24 x 2	31.75	55	78	108	1/4"	M16 x 2	-	4.8
P043H	4	10	465	4	112	35	M24 x 2	31.75	55	78	108	1/4"	M16 x 2	-	11.5
P080H	8	4	384.5	4	95	35	M36 x 2	50.8	75	-	145	1/2"	M16 x 2	105	10
P083H	8	10	490.5	4	114	35	M36 x 2	50.8	75	-	145	1/2"	M16 x 2	105	23.5
P150H	15	4	394	4	95.5	35	M40 x 2	62.3	90	-	182	1/2"	M20 x 2.5	125	17.5
P153H	15	10	495	4	114.5	35	M40 x 2	62.3	90	-	182	1/2"	M20 x 2.5	125	42
P300H	30	4	435	4	122	40	M48 x 3	62.3	90	-	205	1/2"	M24 x 3	150	27.3
P303H	30	10	556	4	166	40	M48 x 3	62.3	90	-	205	1/2"	M24 x 3	150	65

Pneumatic Circuit Diagram





SEAL KITS



PART No.	DESCRIPTION
90-017	SEAL KIT FOR CYLINDER MODEL No. P020H & P023H
90-016	SEAL KIT FOR CYLINDER MODEL No. P040H & P043H
90-019	SEAL KIT FOR CYLINDER MODEL No. P080H & P083H
90-020	SEAL KIT FOR CYLINDER MODEL No. P150H & P153H
90-018	SEAL KIT FOR CYLINDER MODEL No. P300H & P303H

OIL RESERVOIR



PART No.	DESCRIPTION
20-923	OIL RESERVOIR