



Air Filter, Regulator & Lubricator

Series "L" 3/4" & 1" BSP



Mechanical Characteristic

Body	: Aluminium
Orifice	: Ø19.00mm
Ports	: G3/4" & G1" BSP Female
Pressure Gauge Port	: 1/4" BSP
Seals	: Nitrile Rubber
Filtering Density	: 5 µm
Bowl Capacity	: 240 c.c
Drain Type	: Semi Automatic
Mountings	: 'T' Type Bracket
Weight	: Refer to individual model

Operating Conditions

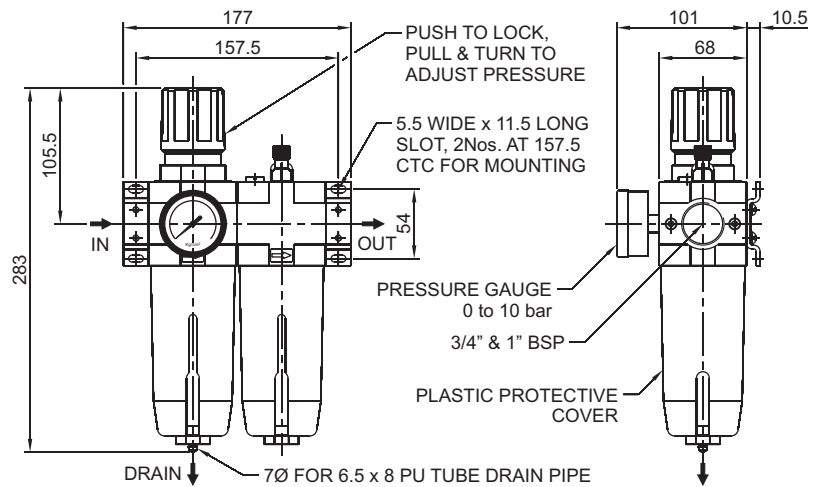
Media	: Air (filtered 40µ & lubricated)
Temperature Range	: +5° to +60°C
Pressure Range	: 0.5 to 10 bar
Lubricator Oil	: ISO-VG32
Flow	: 8000 Normal litres per min.



Filter Regulator + Lubricator



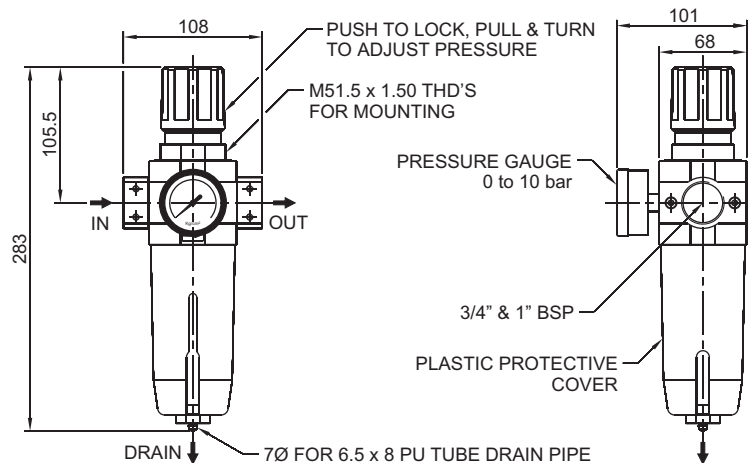
MODEL	LFR+L 6	LFR+L 8
Port	3/4" BSP	1" BSP
Weight	1.98 kg.	1.95 kg.



Filter Regulator



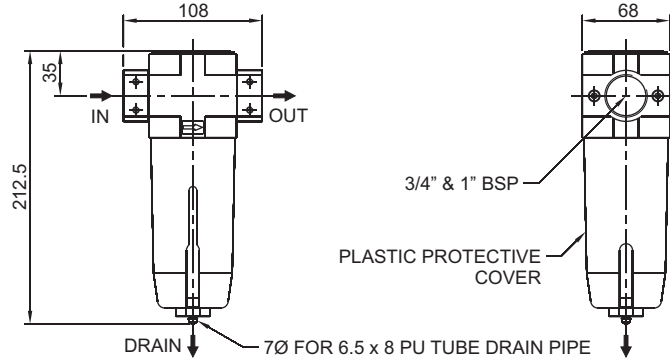
MODEL	LFR 6	LFR 8
Port	3/4" BSP	1" BSP
Weight	1.30 kg.	1.27 kg.



Filter



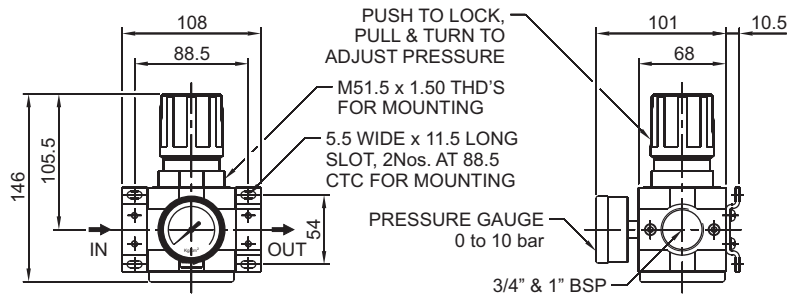
MODEL	LF 6	LF 8
Port	3/4" BSP	1" BSP
Weight	0.80 kg.	0.78 kg.



Regulator



MODEL	LR 6	LR 8
Port	3/4" BSP	1" BSP
Weight	1.05 kg.	1.03 kg.



Lubricator



MODEL	LL 6	LL 8
Port	3/4" BSP	1" BSP
Weight	0.84 kg.	0.82 kg.

