



Spool Type Pneumatic Actuated Valves Series "S"

Series "S" 3/2, 5/2 & 5/3 Pilot-Spring & Pilot-Pilot valves

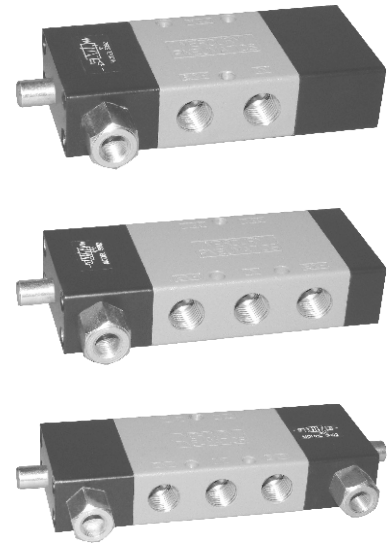


Mechanical Characteristic

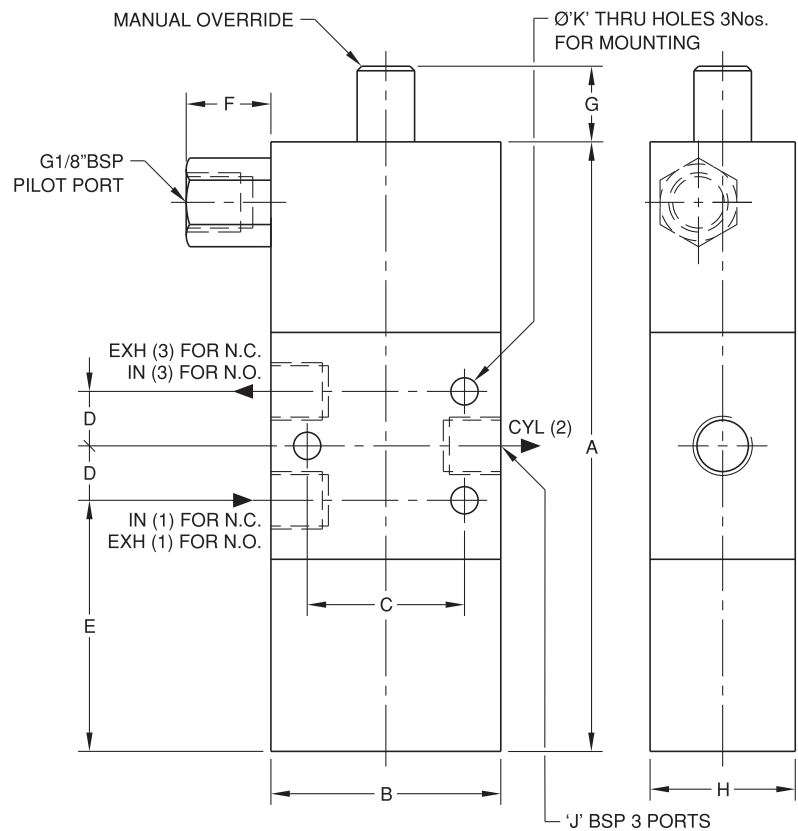
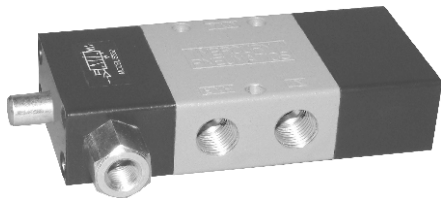
Body	: Aluminium
Orifice	: Refer to technical data
Ports	: BSP Female
Seals	: Nitrile Rubber
Design	: Spool type
Weight	: Refer to technical data

Operating Conditions

Media	: Air (filtered 40 μ & lubricated)
Temperature Range	: +5° to +50°C
Vacuum	: To -0.9 bar
Pressure Range	: 2.5 to 10 bar
Leakage	: Bubble Tight
Flow (NLPM) at 5 bar	: Refer to technical data

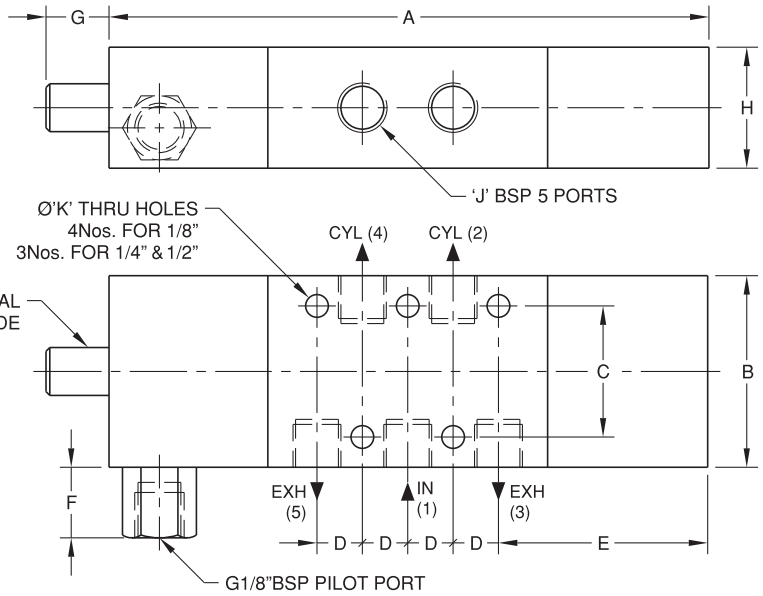
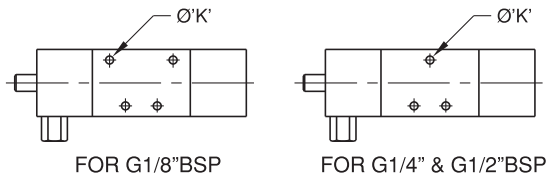
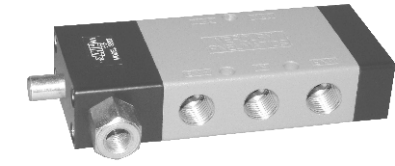


3/2 (3 WAY) Pilot-Spring Valve



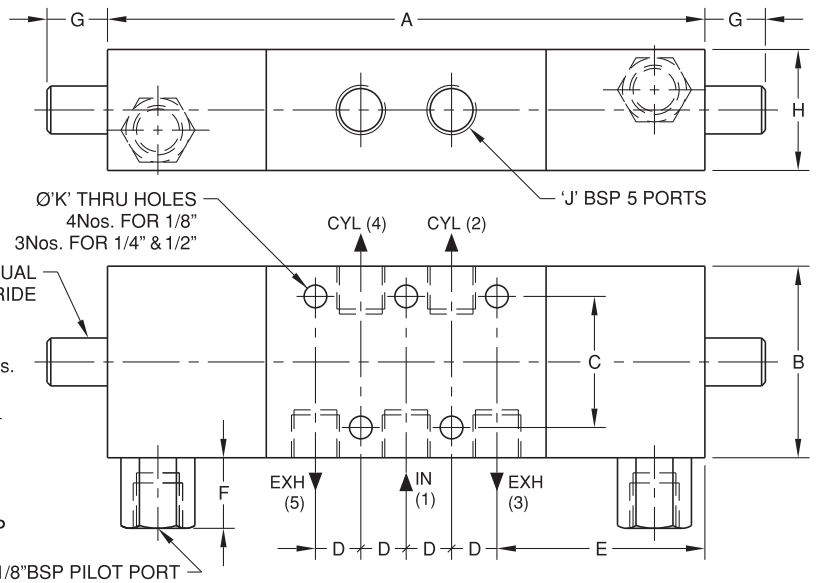
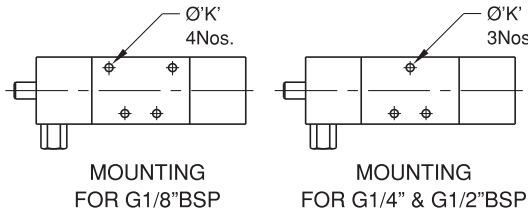
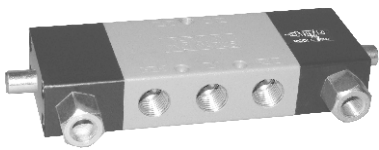
MODEL No.	SIZE	DESCRIPTION	SYMBOL	A	B	C	D	E	F	G	H	J (BSP)	ØK	ORIFICE (mm)	FLOW (NLPM)	WEIGHT (Kg.)	SEAL KIT NO.
S381	1/8"	3/2 NORMALLY CLOSED		100.75	38.00	26.00	9.00	41.50	14.00	12.50	24.00	1/8"	4.50	Ø4.00	300	0.25	SKS381
S382	1/4"			112.00	50.00	40.00	12.00	44.00	14.50	12.50	25.00	1/4"	5.50	Ø6.50	1100	0.40	SKS382
S384	1/2"			161.00	68.00	52.00	20.00	67.00	-	26.00	38.00	1/2"	6.50	Ø12.50	3000	0.96	SKS384
S481	1/8"	3/2 NORMALLY OPEN		100.75	38.00	26.00	9.00	41.50	14.00	12.50	24.00	1/8"	4.50	Ø4.00	300	0.25	SKS481
S482	1/4"			112.00	50.00	40.00	12.00	44.00	14.50	12.50	25.00	1/4"	5.50	Ø6.50	1100	0.40	SKS482
S484	1/2"			161.00	68.00	52.00	20.00	67.00	-	26.00	38.00	1/2"	6.50	Ø12.50	3000	0.96	SKS484

5/2 (4 WAY) Pilot-Spring Valve



MODEL No.	SIZE	SYMBOL	A	B	C	D	E	F	G	H	J (BSP)	ØK	ORIFICE (mm)	FLOW (NLPM)	WEIGHT (Kg.)	SEAL KIT NO.
S681	1/8"		118.75	38.00	26.00	9.00	41.50	14.00	12.50	24.00	1/8"	4.50	Ø4.00	300	0.28	SKS681
S682	1/4"		136.00	50.00	40.00	12.00	44.00	14.50	12.50	25.00	1/4"	5.50	Ø6.50	1100	0.43	SKS682
S684	1/2"		214.00	68.00	52.00	20.00	67.00	-	26.00	38.00	1/2"	6.50	Ø12.50	3000	1.18	SKS684

5/2 & 5/3 Pilot-Pilot Valve



MODEL No.	SIZE	DESCRIPTION	SYMBOL	A	B	C	D	E	F	G	H	J (BSP)	ØK	ORIFICE (mm)	FLOW (NLPM)	WEIGHT (Kg.)	SEAL KIT NO.
S691	1/8"	5/2 PILOT-PILOT WITH MANUAL OVERRIDE		118.50	38.00	26.00	9.00	41.50	14.00	12.50	24.00	1/8"	4.50	Ø4.00	300	0.29	SKS691
S692	1/4"			136.00	50.00	40.00	12.00	44.00	14.50	12.50	25.00	1/4"	5.50	Ø6.50	1100	0.45	SKS692
S694	1/2"			188.00	68.00	52.00	20.00	54.00	-	26.00	38.00	1/2"	6.50	Ø12.50	3000	1.08	SKS694
S791	1/8"	5/3 (PHN) PRESSURE HELD NEUTRAL PILOT-PILOT WITH MANUAL OVERRIDE		138.00	38.00	26.00	9.00	65.25	14.00	20.00	24.00	1/8"	4.50	Ø4.00	300	0.31	SKS791
S792	1/4"			163.50	50.00	40.00	12.00	71.50	14.50	20.00	25.00	1/4"	5.50	Ø6.50	1100	0.55	SKS792
S794	1/2"			251.50	68.00	52.00	20.00	107.50	-	24.50	38.00	1/2"	6.50	Ø12.50	3000	1.52	SKS794
S891	1/8"	5/3 (PAN) PRESSURE APPLIED NEUTRAL PILOT-PILOT WITH MANUAL OVERRIDE		138.00	38.00	26.00	9.00	65.25	14.00	20.0	24.00	1/8"	4.50	Ø4.00	300	0.31	SKS891
S892	1/4"			163.50	50.00	40.00	12.00	71.50	14.50	20.00	25.00	1/4"	5.50	Ø6.50	1100	0.55	SKS892
S894	1/2"			251.50	68.00	52.00	20.00	107.50	-	24.50	38.00	1/2"	6.50	Ø12.50	3000	1.52	SKS894
S991	1/8"	5/3 (PRN) PRESSURE RELEASED NEUTRAL PILOT-PILOT WITH MANUAL OVERRIDE		138.00	38.00	26.00	9.00	65.25	14.00	20.00	24.00	1/8"	4.50	Ø4.00	300	0.31	SKS991
S992	1/4"			163.50	50.00	40.00	12.00	71.50	14.50	20.00	25.00	1/4"	5.50	Ø6.50	1100	0.55	SKS992
S994	1/2"			251.50	68.00	52.00	20.00	107.50	-	24.50	38.00	1/2"	6.50	Ø12.50	3000	1.52	SKS994