

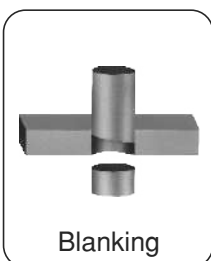
**Salient Features**

- Fast Action
- Compact, light weight & vibration free
- Versatile
- Energy efficient
- Low cost

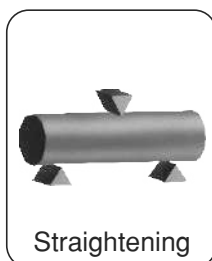
**Typical Applications**



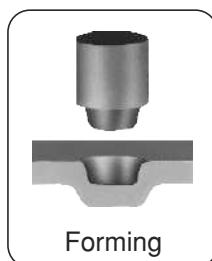
Rivetting



Blanking



Straightening



Forming

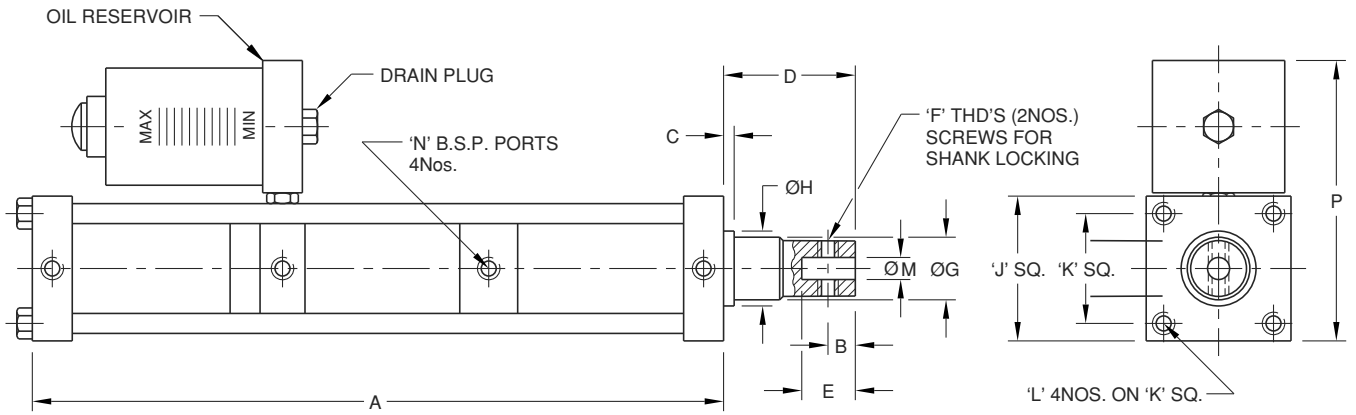


Clamping



Stamping

## Press Cylinder Dimension



### TO CALCULATE COMPRESSOR POWER CAPACITY

1HP = 120 LITRES OF FREE AIR (NL) PER MINUTE AT 5 Kg/Cm<sup>2</sup>

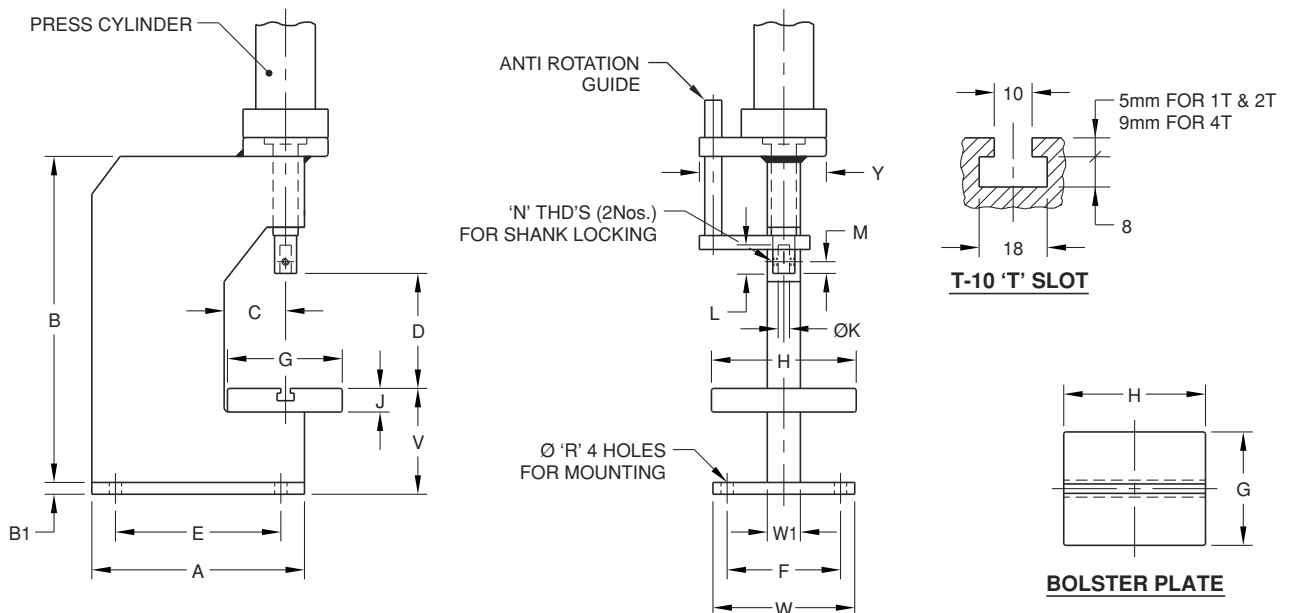
N = NUMBER OF CYCLES PER MINUTE

Q= FREE AIR CONSUMED PER CYCLE (FROM CHART) IN NORMAL LITRES (NL)

$$\text{POWER REQUIRED} = \frac{Q \times N}{120} \text{ (H.P.) OR } \frac{Q \times N}{120} \times 0.746 \text{ (KW)}$$

MODEL NO.	TON	TOTAL STROKE	POWER STROKE	A	B	C	D	E	F	ØG	ØH	J SQ.	K SQ.	L	M	N	P	Q (NL)
MA014-50	1	50	12	495	10	4	115	25	M6	25	45	78	55	M12 X 1.75	12	1/4"	158	4.0
MAH21-50	2.5	50	6	495	10	4	115	25	M6	25	45	78	55	M12 X 1.75	12	1/4"	158	4.1
MAH21-75	2.5	75	6	545	10	4	115	25	M6	25	45	78	55	M12 X 1.75	12	1/4"	158	4.8
MAH24-50	2.5	50	12	591	10	4	115	25	M6	25	45	78	55	M12 X 1.75	12	1/4"	158	6.3
MAH24-75	2.5	75	12	641	10	4	115	25	M6	25	45	78	55	M12 X 1.75	12	1/4"	158	6.9
MA041-75	4	75	6	562	10	4	125	25	M6	32	55	108	78	M16 X 2	16	1/4"	200	7.7
MA044-75	4	75	12	658	10	4	125	25	M6	32	55	108	78	M16 X 2	16	1/4"	200	11.1

## 'C' Frame Dimensions



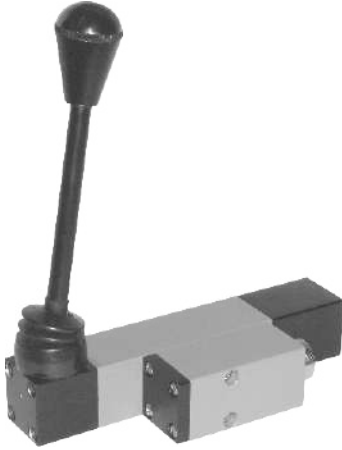
MODEL NO.	TON	A	B	B1	C	D	E	F	G	H	J	ØK	L	M	N	R	T	V	W	W1	Y
3C01HR	1	245	437	12.5	65	200	200	120	120	150	27	12	30	10	M6	13	10	115	150	35	103
3C02HR	2	245	437	12.5	65	200	200	120	120	150	27	12	30	10	M6	13	10	115	150	35	103
3C04HR	4	345	445	15	75	200	300	170	140	200	35	16	30	10	M6	13	10	125	200	50	135



## Spare Parts for Series 'M' Manually Operated Hydro Pneumatic Press



### VALVE REGULATOR ASSEMBLY



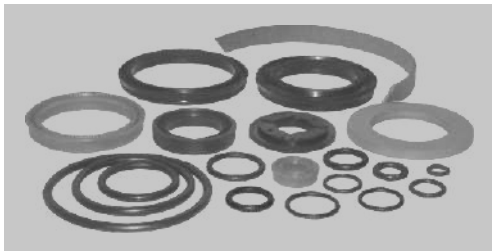
PART No.	DESCRIPTION	SEAL KIT No.
VRA1	VALVE REGULATOR ASSEMBLY	SKVRA1

### OIL RESERVOIR



PART No.	DESCRIPTION
102-030	TRANSPARENT RESERVOIR BARREL FOR 1T & 2T CYLINDERS
102-031	TRANSPARENT RESERVOIR BARREL FOR 4T CYLINDER

### SPARE SEAL KIT



PART No.	DESCRIPTION
90-177	SEAL KIT FOR CYLINDER MODEL No. MAH21 & MAH24
90-183	SEAL KIT FOR CYLINDER MODEL No. MA041 & MA044
90-186	SEAL KIT FOR CYLINDER MODEL No. MA014

### TONNAGE GAUGE



PART No.	DESCRIPTION
20-1350	FOR 1T 'N' SERIES CYLINDERS
20-1328-2.5	FOR 2T 'N' SERIES CYLINDERS
20-1324	FOR 4T 'N' SERIES CYLINDERS

### ELBOW FLOW CONTROL VALVE



PART No.	DESCRIPTION	SEAL KIT No.
UF2	1/4" SWIVEL ELBOW FLOW CONTROL VALVE	SKUF2