



Leadership through innovation

Automatic Drain Valve

for removal of condensed water from compressed air systems

Salient Features

- Manual override as standard feature.
- Designed to perform in harsh industrial conditions.



Model : ADV (1/4")

For Air Line Filters,
Refrigerated Dryers
& Air Dryers



Model : ADV04 (1/2")

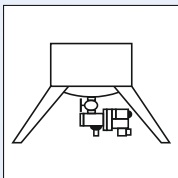
For Small Compressors,
Air Receivers & Air Dryers



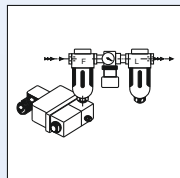
Model : ADVH (1/2")

For Large Receivers,
Air Dryers, Moisture
Separators & After Coolers

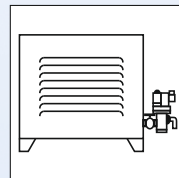
Application Examples



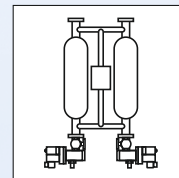
Air Receivers



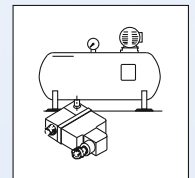
Air Filters



Refrigerated Dryers



Air Dryers



Air Compressors

Mercury Pneumatics Pvt. Ltd.

C-105, Ansa Industrial Estate, Saki Vihar Rd, Andheri (E), Mumbai - 400072. India.

Ph.: +91-22-40151020

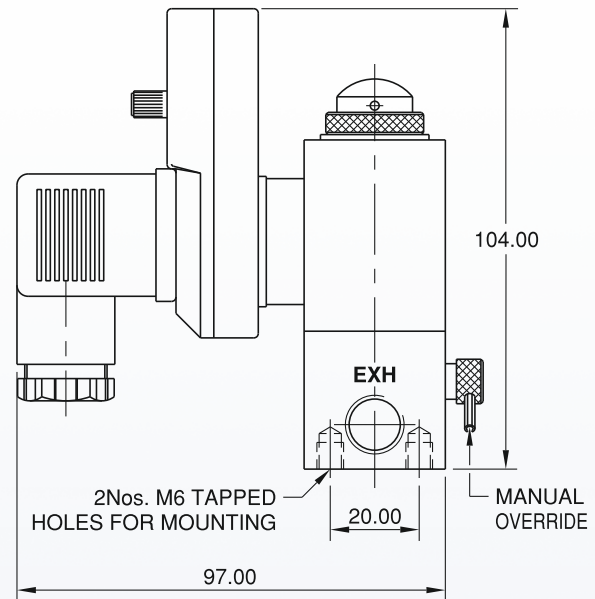
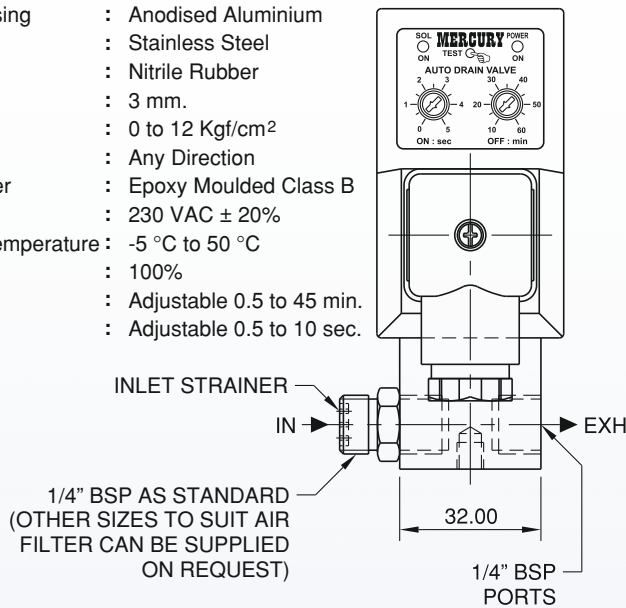
E-mail: contactus@mercuryindia.net Website: www.mercuryindia.net



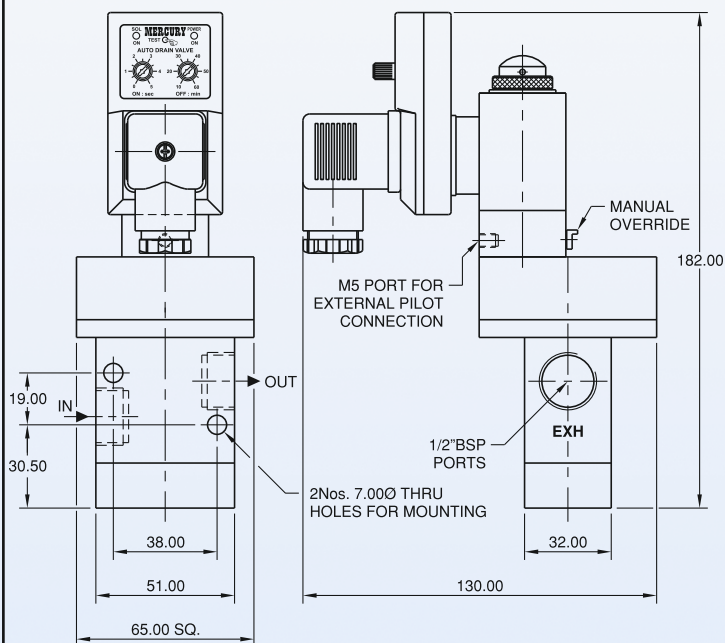
1/4" AUTOMATIC DRAIN VALVE MODEL : ADV

TECHNICAL SPECIFICATIONS

Valve Housing	: Anodised Aluminium
Inner Parts	: Stainless Steel
Seals	: Nitrile Rubber
Orifice	: 3 mm.
Pressure	: 0 to 12 Kg/cm ²
Mounting	: Any Direction
Coil & Timer	: Epoxy Moulded Class B
Voltage	: 230 VAC ± 20%
Ambient Temperature	: -5 °C to 50 °C
Duty	: 100%
Off Time	: Adjustable 0.5 to 45 min.
On Time	: Adjustable 0.5 to 10 sec.



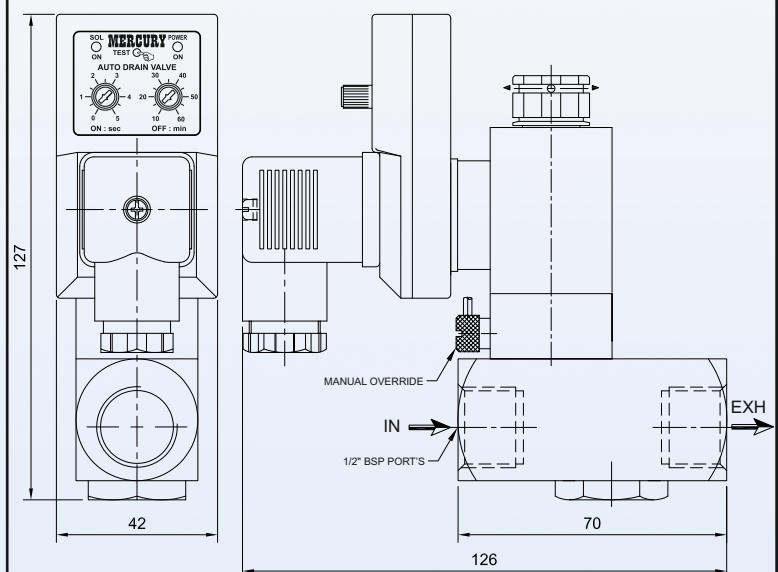
1/2" AUTOMATIC DRAIN VALVE MODEL : ADVH



TECHNICAL SPECIFICATIONS

Valve Housing	: Anodised Aluminium
Inner Parts	: Stainless Steel / Aluminium
Seals	: Nitrile Rubber
Orifice	: 13 mm.
Pressure	: Main Line 2 to 20 Bars Pilot Line 3 to 8 Bars
Mounting	: Any Direction
Coil & Timer	: Epoxy Moulded Class B
Voltage	: 230 VAC ± 20%
Ambient Temperature	: -5°C to 50°C
Duty	: 100%
Off Time	: Adjustable 0.5 to 45 min.
On Time	: Adjustable 0.5 to 10 sec.

1/2" AUTOMATIC DRAIN VALVE MODEL : ADV04



TECHNICAL SPECIFICATIONS

Valve Housing	: Anodised Aluminium
Inner Parts	: Stainless Steel / Aluminium
Seals	: Nitrile Rubber
Orifice	: 3 mm.
Pressure	: Main Line 3 to 16 Bars
Mounting	: Any Direction
Coil & Timer	: Epoxy Moulded Class B
Voltage	: 230 VAC ± 20%
Ambient Temperature	: -5°C to 50°C
Duty	: 100%
Off Time	: Adjustable 0.5 to 45 min.
On Time	: Adjustable 0.5 to 10 sec.