



Poppet Type Solenoid Valves Series "P"

Series "P" 2/2 Normally Closed and Normally Open Solenoid Valves



Mechanical Characteristic

Body	: Aluminium
Orifice	: Refer to technical data
Ports	: Refer to technical data
Seals	: Nitrile Rubber
Design	: Poppet type, internal pilot operated
Weight	: Refer to technical data

Operating Conditions

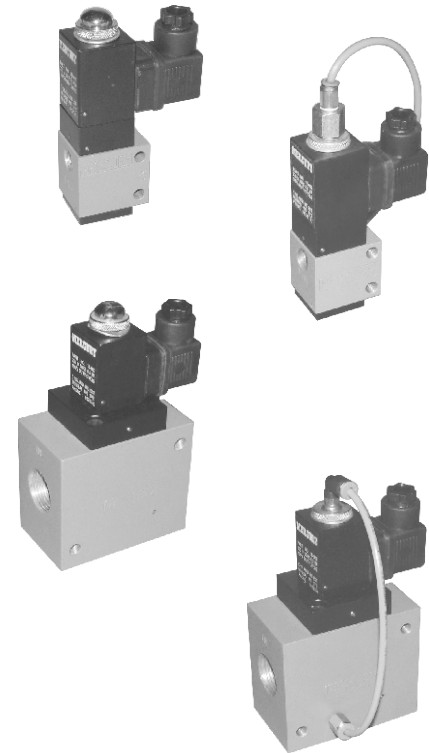
Media	: Air (filtered 40 μ & lubricated)
Temperature Range	: +5° to +50°C
Pressure Range	: 2.5 to 10 bar
Leakage	: Bubble Tight
Flow (NLPM) at 5 bar	: Refer to technical data

Electrical Conditions

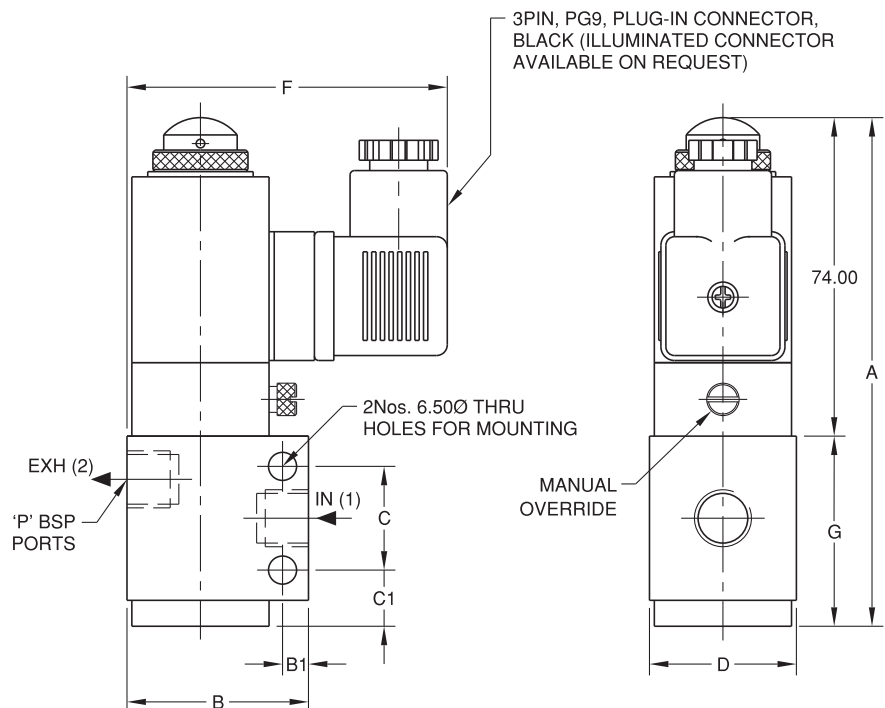
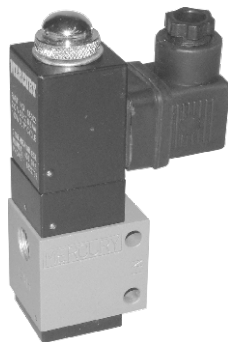
Coil Voltage	: 6, 12 & 24 VDC; 12, 24, 42, 110, 230 & 440VAC \pm 10%
Power	: DC - 7.5 W; AC - 9 VA Hold, 18 VA Pickup
Duty Cycle	: Continuous
Response Time	: 10 msec ON / 15 msec OFF
Protection	: IP 65 (as per DIN 40 050)
Connector	: Black (illuminated on request)

* While ordering specify Coil voltage & type of connector. Add voltage & connector suffix as below to model no.

Connector	230VAC	24VAC	12VAC	24VDC	12VDC	110VAC	48VAC	440VAC	6VDC
BLACK	A	B	C	D	E	F	G	H	J
ILLUMINATED	L	M	N	P	Q	R	S	T	U



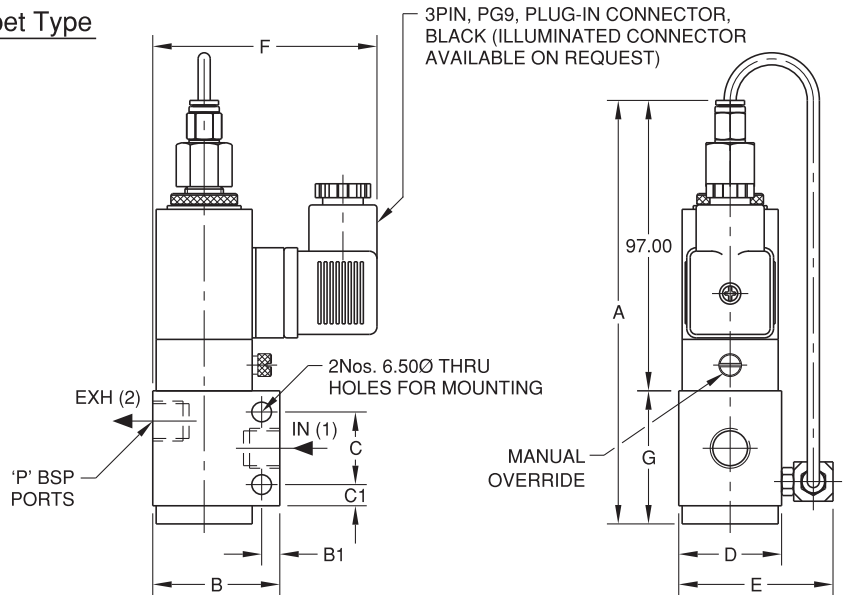
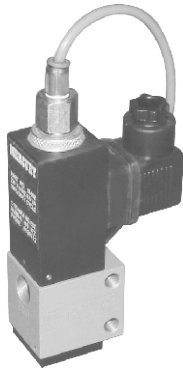
1/4" & 1/2" BSP 2/2 Normally Closed Poppet Type Solenoid Valves



MODEL No.	SIZE 'P'	SYMBOL	ORIFICE (mm)	A	B	B1	C	C1	D	F	G	Flow at 5 bar NLPM	WEIGHT (Kg.)	SEAL KIT No.
P112 *	1/4"		Ø7.00	126.00	42.00	6.00	24.00	13.00	34.00	75.00	52.00	1300	0.27	SKP112
P114 *	1/2"		Ø13.00	137.50	60.00	7.00	32.00	11.00	50.80	84.00	63.50	3600	0.75	SKP114

* ADD VOLTAGE & CONNECTOR SUFFIX WHILE ORDERING

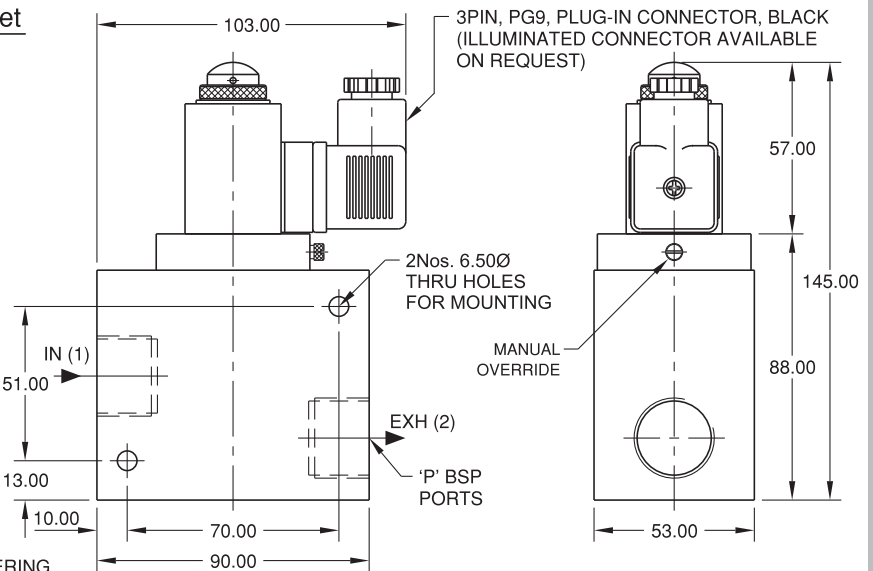
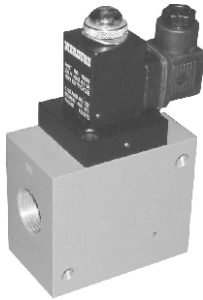
1/4" & 1/2" BSP 2/2 Normally Open Poppet Type Solenoid Valves



MODEL No.	SIZE 'P'	SYMBOL	ORIFICE (mm)	A	B	B1	C	C1	D	E	F	G	Flow at 5 bar NL/min	WEIGHT (Kg.)	SEAL KIT No.
P212*	1/4"		Ø7.00	141.00	42.00	6.00	24.00	13.00	34.00	51.00	75.00	44.00	1300	0.49	SKP212
P214*	1/2"		Ø13.00	147.00	60.00	7.00	32.00	11.00	50.80	67.80	84.00	50.00	3600	0.97	SKP214

* ADD VOLTAGE & CONNECTOR SUFFIX WHILE ORDERING

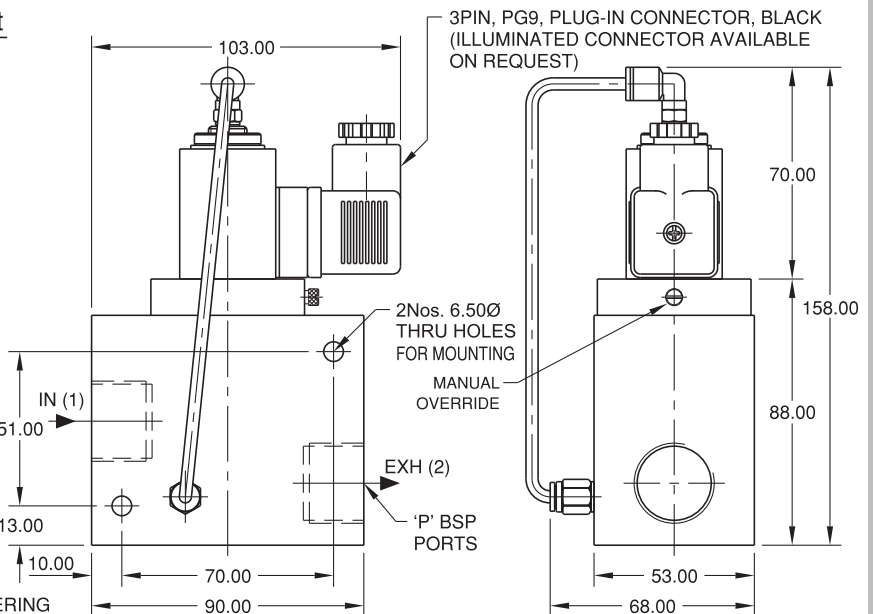
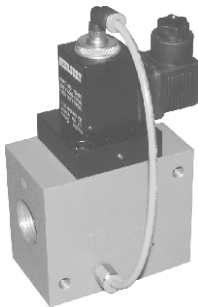
3/4" & 1" BSP 2/2 Normally Closed Poppet Type Solenoid Valves



MODEL No.	SIZE 'P'	SYMBOL	ORIFICE (mm)	Flow at 5 bar NLPM	WT. (Kg.)	SEAL KIT No.
P115*	3/4"		Ø20.00	8000	0.99	SKP115
P116*	1"		Ø24.50	10,000	0.94	SKP116

* ADD VOLTAGE & CONNECTOR SUFFIX WHILE ORDERING

3/4" & 1" BSP 2/2 Normally Open Poppet Type Solenoid Valves



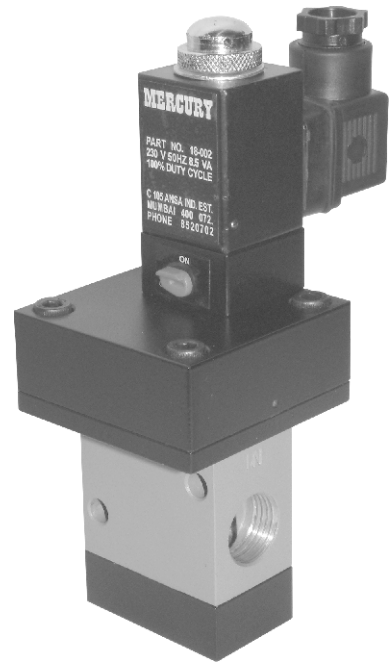
MODEL No.	SIZE 'P'	SYMBOL	ORIFICE (mm)	Flow at 5 bar NLPM	WT. (Kg.)	SEAL KIT No.
P215*	3/4"		Ø20.00	8000	0.99	SKP215
P216*	1"		Ø24.50	10,000	0.94	SKP216

* ADD VOLTAGE & CONNECTOR SUFFIX WHILE ORDERING

1/2" BSP 2/2 Normally Closed Low External Pilot, Poppet Type Solenoid Valve **MODEL : P114AE**

TECHNICAL SPECIFICATIONS

- Valve Housing : Anodised Aluminium
- Inner Parts : Stainless Steel / Aluminium
- Seals : Nitrile Rubber
- Orifice : 13 mm.
- Pressure : Main Line 2 to 20 Bars
: Pilot Line 3 to 8 Bars
- Mounting : Any Direction
- Coil & Timer : Epoxy Moulded Class B
- Voltage : 230 VAC \pm 20%
- Ambient Temperature : -5 °C to 50 °C
- Duty : 100%



* Add voltage & connector suffix as below to model no.

Connector	230VAC	24VAC	12VAC	24VDC	12VDC	110VAC	48VAC	440VAC	6VDC
BLACK	A	B	C	D	E	F	G	H	J
ILLUMINATED	L	M	N	P	Q	R	S	T	U

