



Spool Type Manually and Mechanically Actuated Valves Series S-1/8"

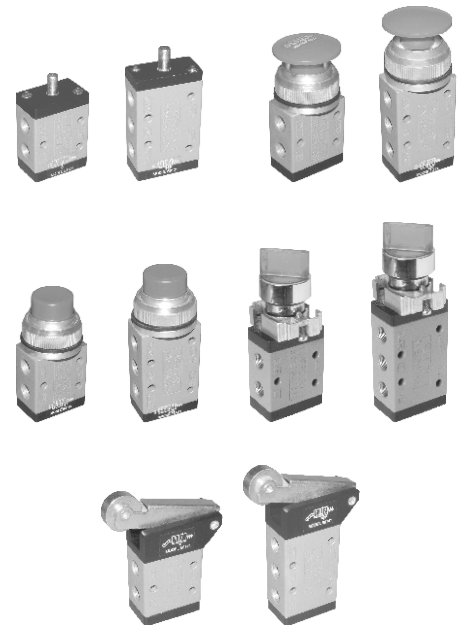


Mechanical Characteristic

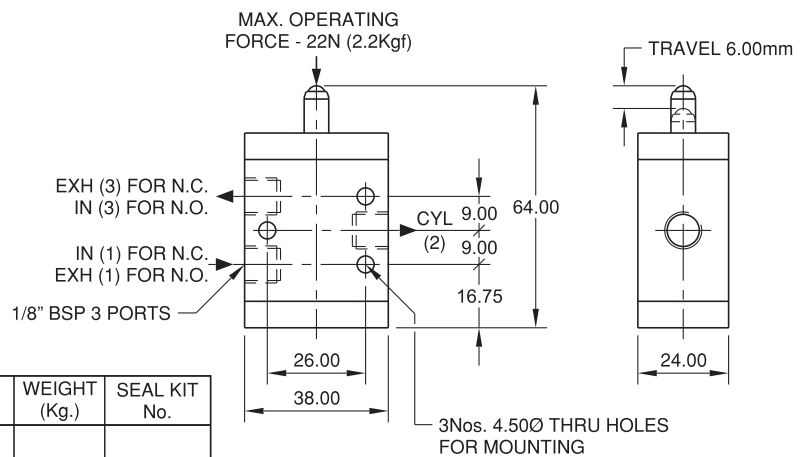
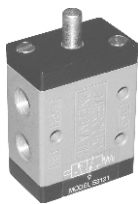
Body	: Aluminium
Orifice	: Ø4.00mm
Ports	: G1/8" BSP Female
Seals	: Nitrile Rubber
Design	: Spool type
Weight	: Refer to technical data

Operating Conditions

Media	: Air (filtered 40µ & lubricated)
Temperature Range	: +5° to +50°C
Vacuum	: To -0.9 bar
Pressure Range	: 0 to 10 bar
Leakage	: Bubble Tight
Flow (NLPM) at 5 bar	: 300 Normal litres per min.

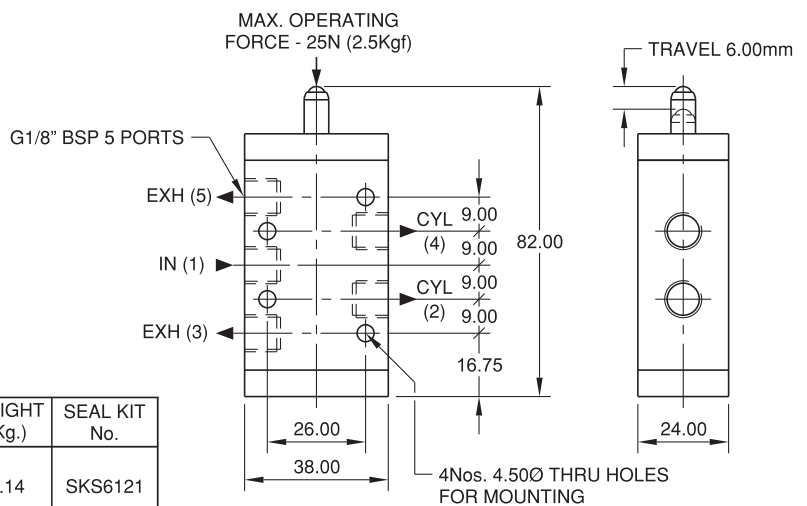
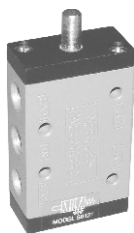


1/8" BSP 3/2 Plunger-Spring Valve



MODEL No.	DESCRIPTION	SYMBOL	WEIGHT (Kg.)	SEAL KIT No.
S3121	1/8" 3/2 NORMALLY CLOSED (N.C.) PLUNGER-SPRING VALVE		0.12	SKS3121
S4121	1/8" 3/2 NORMALLY OPEN (N.O.) PLUNGER-SPRING VALVE		0.12	SKS4121

1/8" BSP 5/2 Plunger-Spring Valve

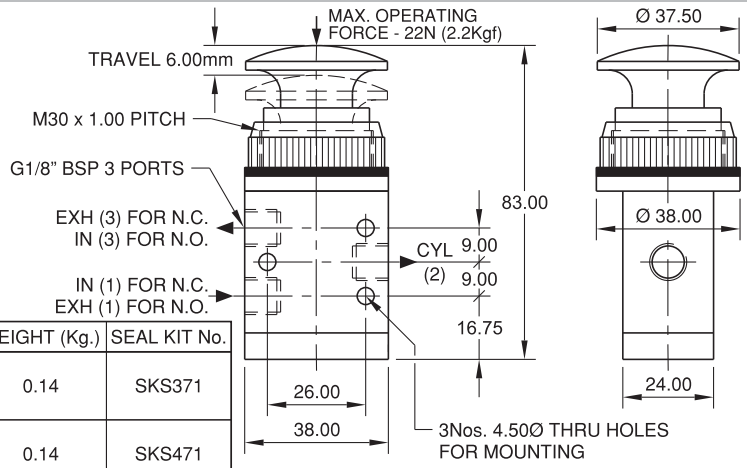


MODEL No.	DESCRIPTION	SYMBOL	WEIGHT (Kg.)	SEAL KIT No.
S6121	1/8" 5/2 PLUNGER-SPRING VALVE		0.14	SKS6121

1/8" BSP 3/2 Palm Button-Spring Valve



PALM BUTTON
COLOUR RED OR GREEN
SPECIFY WHILE ORDERING

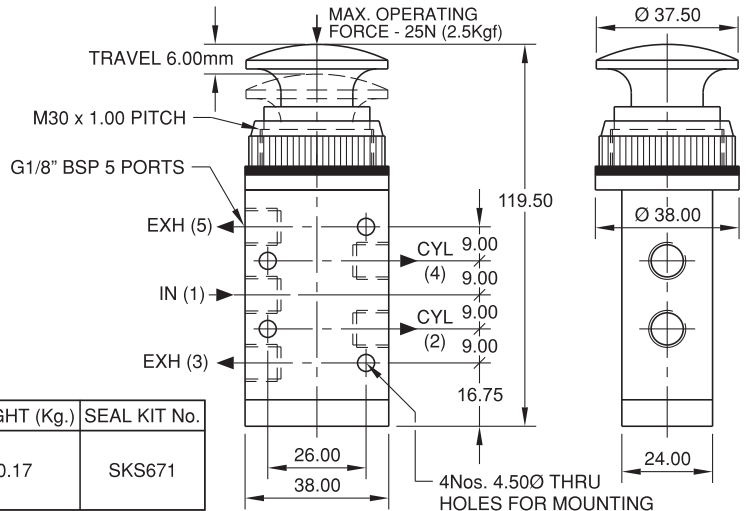


MODEL No.	DESCRIPTION	SYMBOL	WEIGHT (Kg.)	SEAL KIT No.
S371	1/8" 3/2 NORMALLY CLOSED (N.C.) PALM BUTTON-SPRING VALVE		0.14	SKS371
S471	1/8" 3/2 NORMALLY OPEN (N.O.) PALM BUTTON-SPRING VALVE		0.14	SKS471

1/8" BSP 5/2 Palm Button-Spring Valve



PALM BUTTON
COLOUR RED OR GREEN
SPECIFY WHILE ORDERING

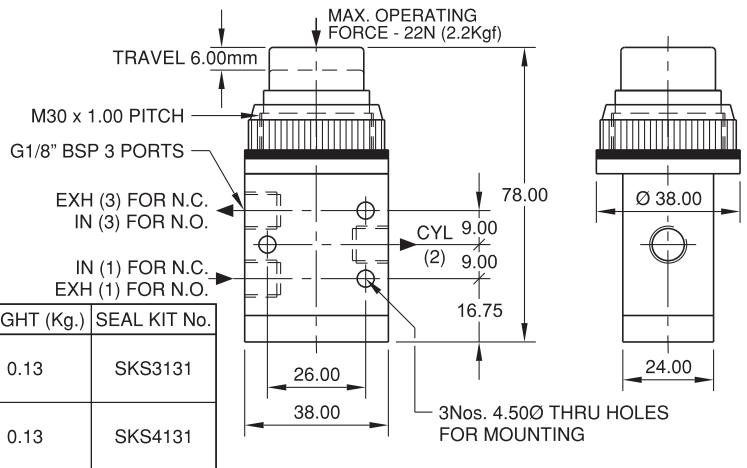


MODEL No.	DESCRIPTION	SYMBOL	WEIGHT (Kg.)	SEAL KIT No.
S671	1/8" 5/2 PALM BUTTON-SPRING VALVE		0.17	SKS671

1/8" BSP 3/2 Push Button-Spring Valve



PUSH BUTTON
COLOUR RED OR GREEN
SPECIFY WHILE ORDERING

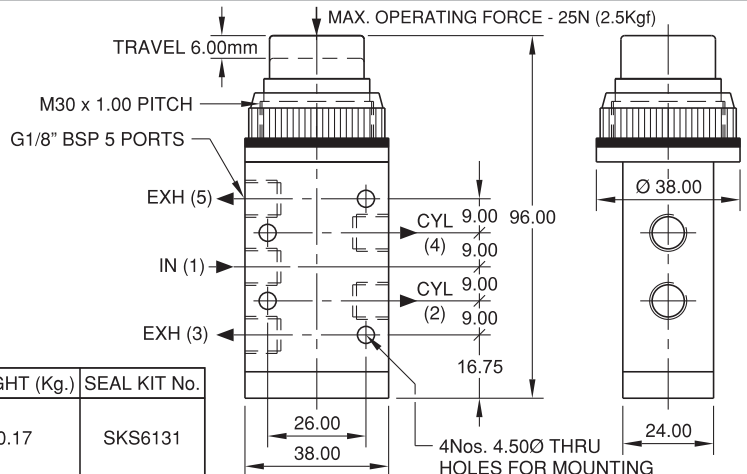


MODEL No.	DESCRIPTION	SYMBOL	WEIGHT (Kg.)	SEAL KIT No.
S3131	1/8" 3/2 NORMALLY CLOSED (N.C.) PUSH BUTTON-SPRING VALVE		0.13	SKS3131
S4131	1/8" 3/2 NORMALLY OPEN (N.O.) PUSH BUTTON-SPRING VALVE		0.13	SKS4131

1/8" BSP 5/2 Push Button-Spring Valve

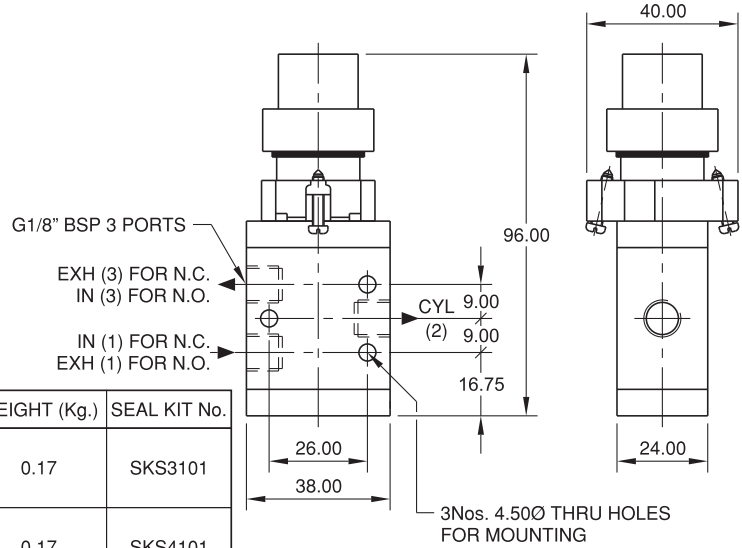
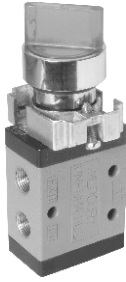


PUSH BUTTON
COLOUR RED OR GREEN
SPECIFY WHILE ORDERING



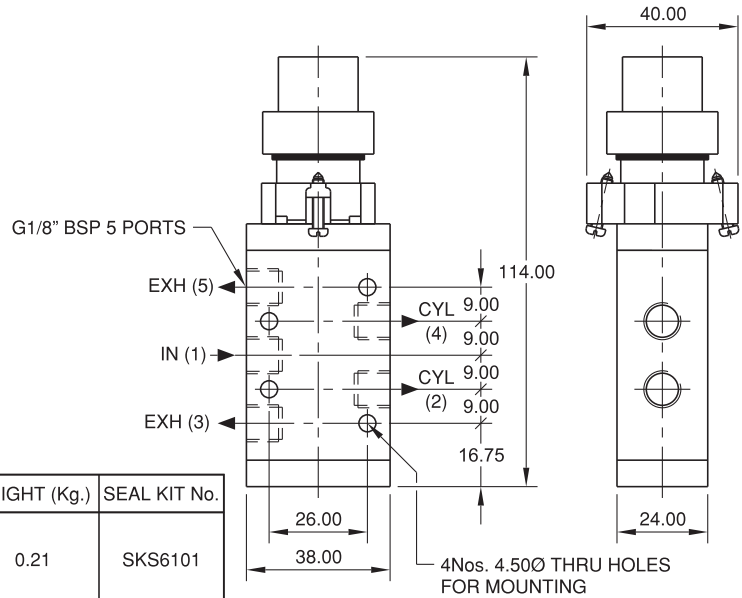
MODEL No.	DESCRIPTION	SYMBOL	WEIGHT (Kg.)	SEAL KIT No.
S6131	1/8" 5/2 PUSH BUTTON-SPRING VALVE		0.17	SKS6131

1/8" BSP 3/2 Selector Knob 2 Position Valve



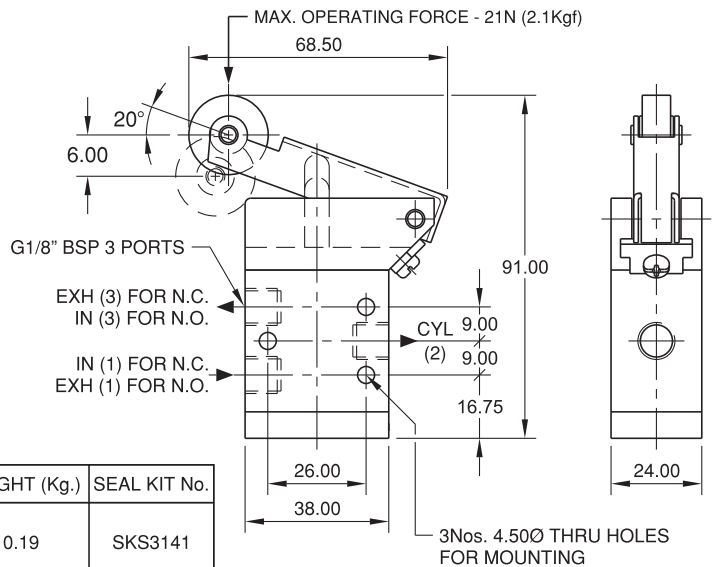
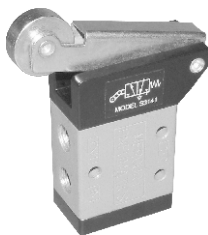
MODEL No.	DESCRIPTION	SYMBOL	WEIGHT (Kg.)	SEAL KIT No.
S3101	1/8" 3/2 NORMALLY CLOSED (N.C.) SELECTOR KNOB 2 POSITION VALVE		0.17	SKS3101
S4101	1/8" 3/2 NORMALLY OPEN (N.O.) SELECTOR KNOB 2 POSITION VALVE		0.17	SKS4101

1/8" BSP 5/2 Selector Knob 2 Position Valve



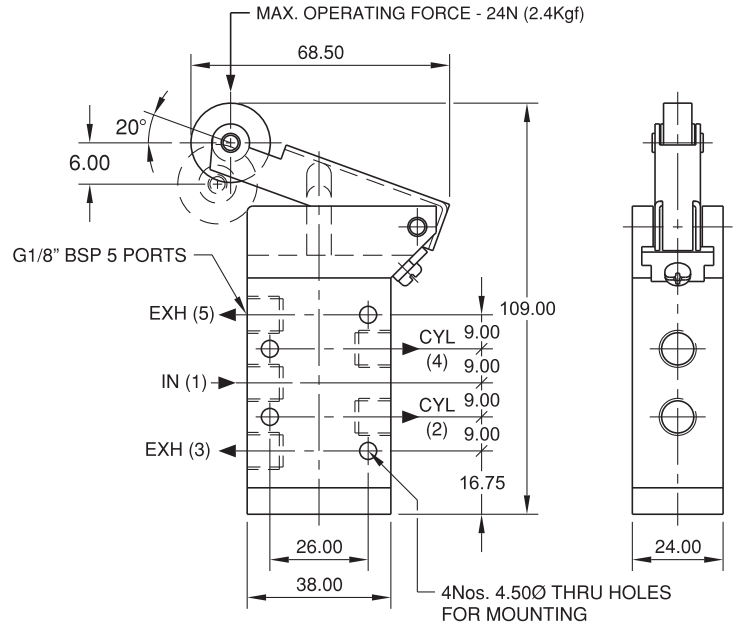
MODEL No.	DESCRIPTION	SYMBOL	WEIGHT (Kg.)	SEAL KIT No.
S6101	1/8" 5/2 SELECTOR KNOB 2 POSITION VALVE		0.21	SKS6101

1/8" BSP 3/2 Roller Lever-Spring Valve



MODEL No.	DESCRIPTION	SYMBOL	WEIGHT (Kg.)	SEAL KIT No.
S3141	1/8" 3/2 NORMALLY CLOSED (N.C.) ROLLER LEVER-SPRING VALVE		0.19	SKS3141
S4141	1/8" 3/2 NORMALLY OPEN (N.O.) ROLLER LEVER-SPRING VALVE		0.19	SKS4141

1/8" BSP 5/2 Roller Lever-Spring Valve



MODEL No.	DESCRIPTION	SYMBOL	WEIGHT (Kg.)	SEAL KIT No.
S6141	1/8" 5/2 ROLLER LEVER-SPRING VALVE		0.22	SKS6141



Spool Type Manually and Mechanically Actuated Valves Series S-1/4"

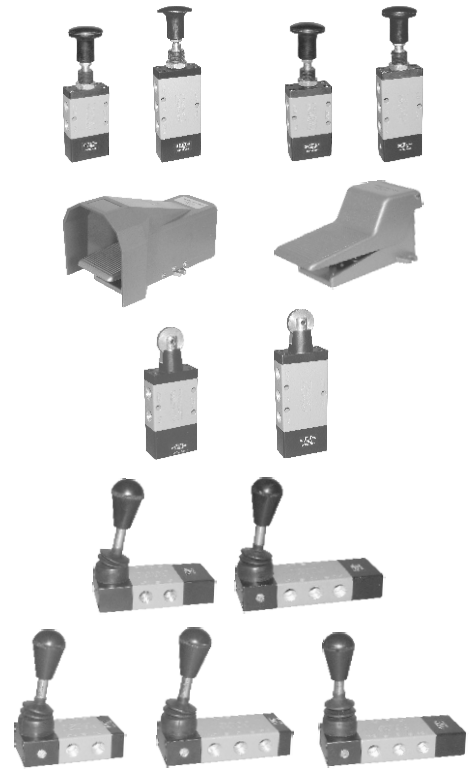


Mechanical Characteristic

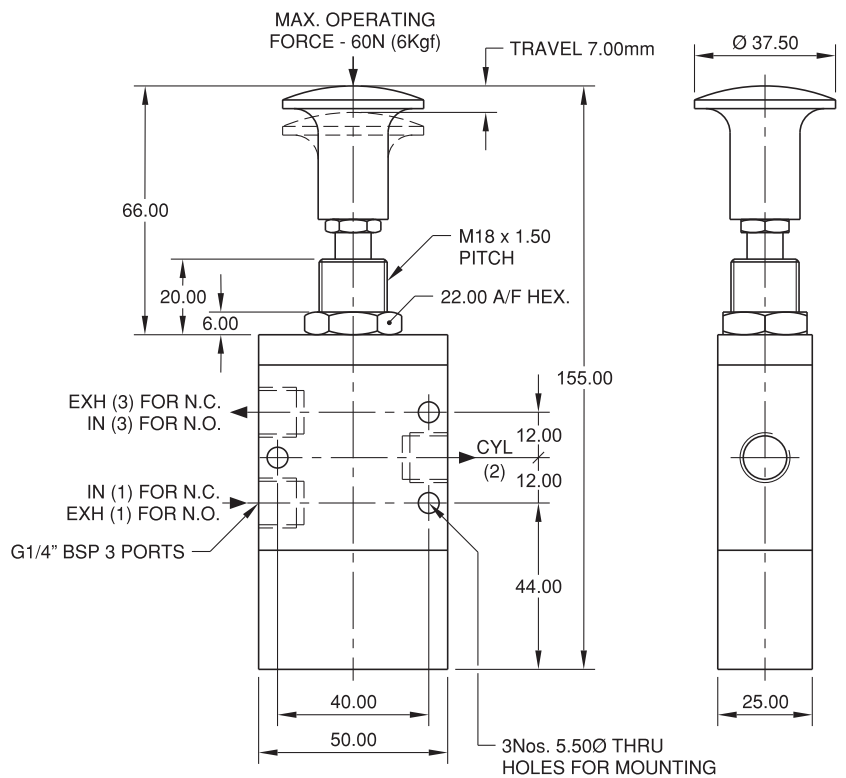
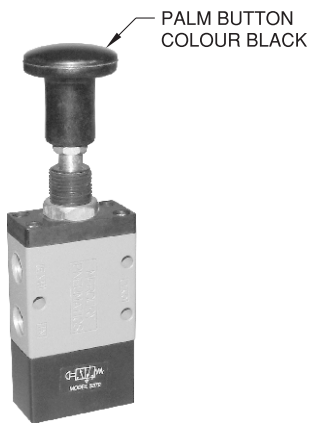
Body	: Aluminium
Orifice	: Ø6.50mm
Ports	: G1/4" BSP Female
Seals	: Nitrile Rubber
Design	: Spool type
Weight	: Refer to technical data

Operating Conditions

Media	: Air (filtered 40µ & lubricated)
Temperature Range	: +5° to +50°C
Vacuum	: To -0.9 bar
Pressure Range	: 0 to 10 bar
Leakage	: Bubble Tight
Flow (NLPM) at 5 bar	: 1100 Normal litres per min. for 3/2 & 5/2 valves 1000 Normal litres per min. for 5/3 valves

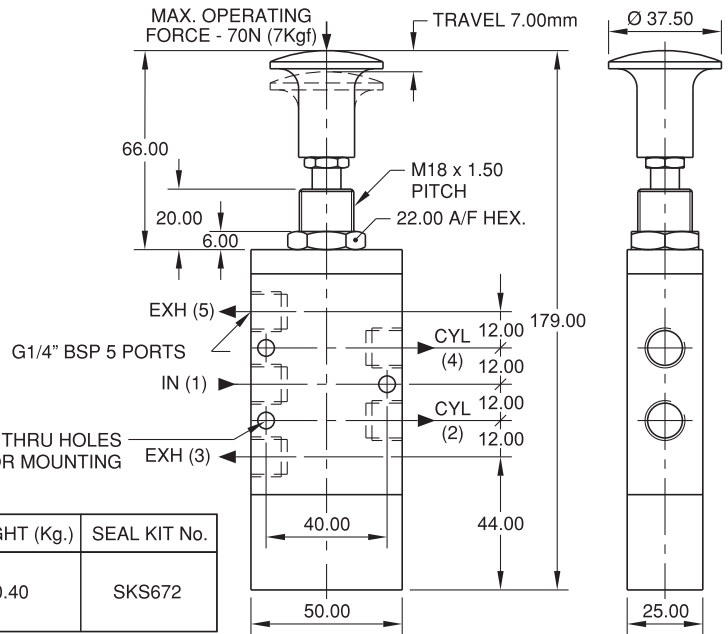
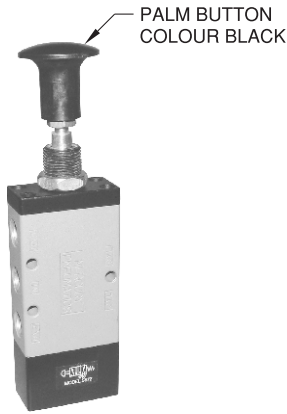


1/4" BSP 3/2 Palm Button-Spring Valve



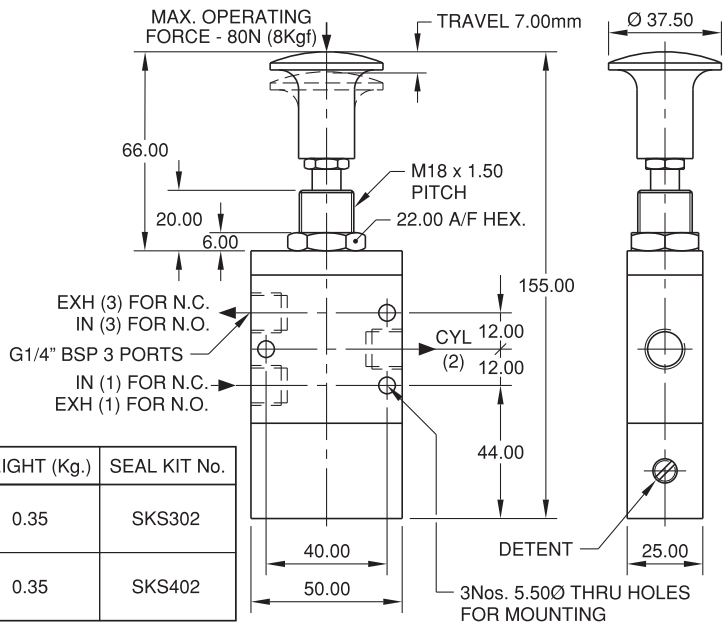
MODEL No.	DESCRIPTION	SYMBOL	WEIGHT (Kg.)	SEAL KIT No.
S372	1/4" 3/2 NORMALLY CLOSED (N.C.) PALM BUTTON-SPRING VALVE		0.37	SKS372
S472	1/4" 3/2 NORMALLY OPEN (N.O.) PALM BUTTON-SPRING VALVE		0.37	SKS472

1/4" BSP 5/2 Palm Button-Spring Valve



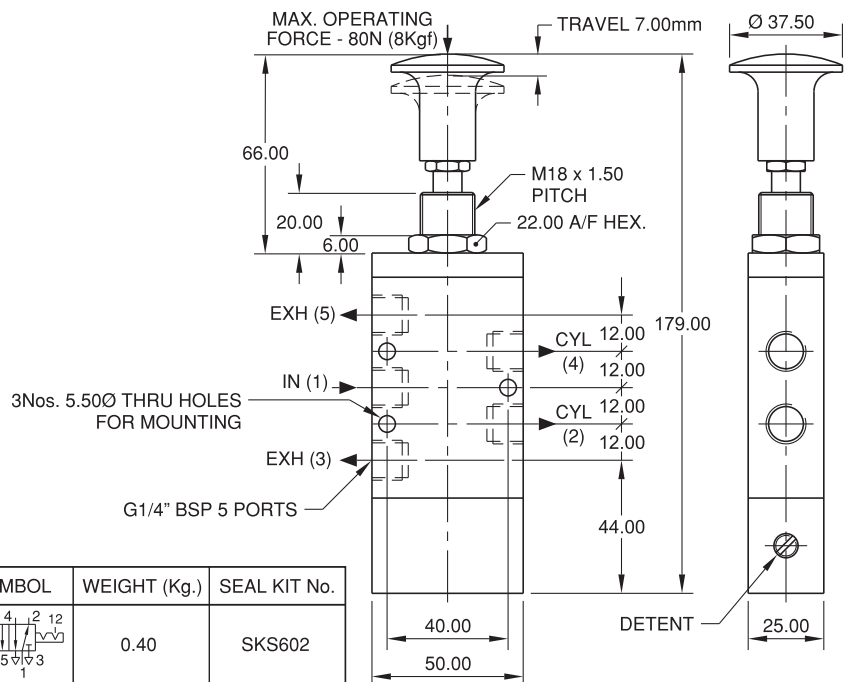
MODEL No.	DESCRIPTION	SYMBOL	WEIGHT (Kg.)	SEAL KIT No.
S672	1/4" 5/2 PALM BUTTON-SPRING VALVE		0.40	SKS672

1/4" BSP 3/2 Palm Button-Detent Valve



MODEL No.	DESCRIPTION	SYMBOL	WEIGHT (Kg.)	SEAL KIT No.
S302	1/4" 3/2 NORMALLY CLOSED (N.C.) PALM BUTTON-DETENT VALVE		0.35	SKS302
S402	1/4" 3/2 NORMALLY OPEN (N.O.) PALM BUTTON-DETENT VALVE		0.35	SKS402

1/4" BSP 5/2 Palm Button-Detent Valve

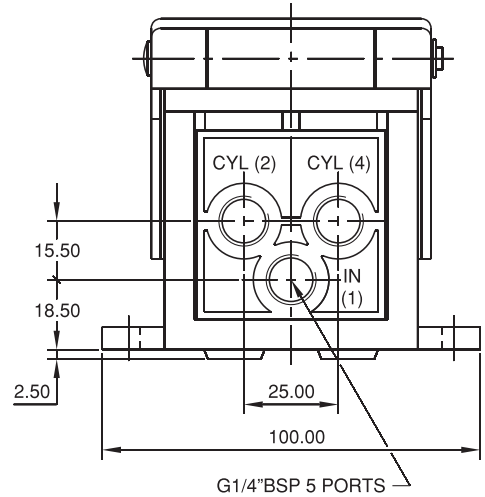
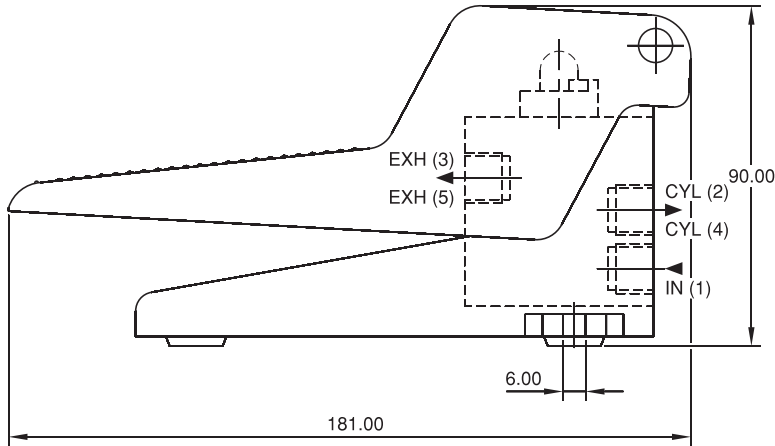


MODEL No.	DESCRIPTION	SYMBOL	WEIGHT (Kg.)	SEAL KIT No.
S602	1/4" 5/2 PALM BUTTON-DETENT VALVE		0.40	SKS602

1/4" BSP 5/2 Foot Pedal-Spring Valve



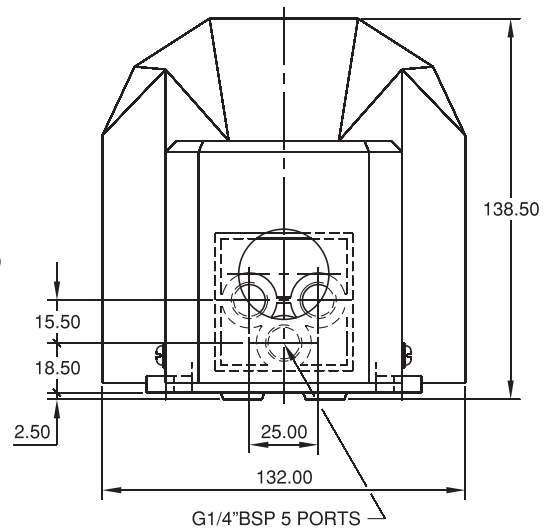
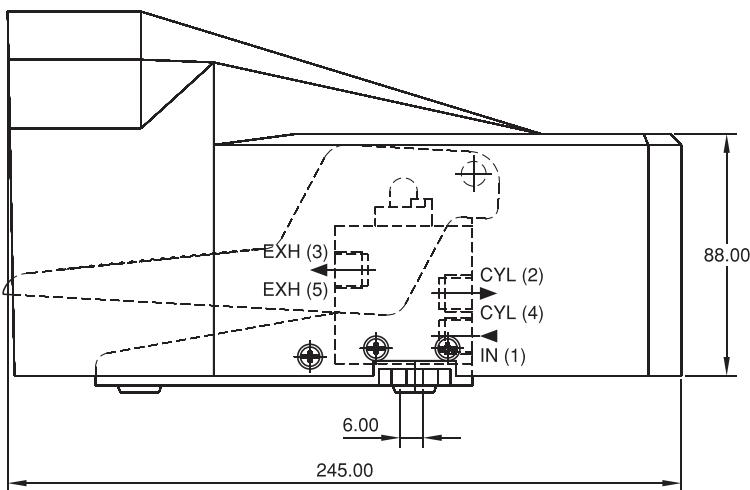
MODEL No.	DESCRIPTION	SYMBOL	WEIGHT (Kg.)	SEAL KIT No.
MS652	1/4" 5/2 FOOT PEDAL-SPRING VALVE		0.66	SKMS652



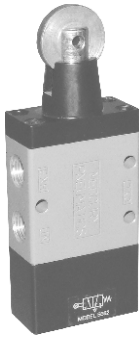
1/4" BSP 5/2 Foot Pedal-Spring Valve with Guard



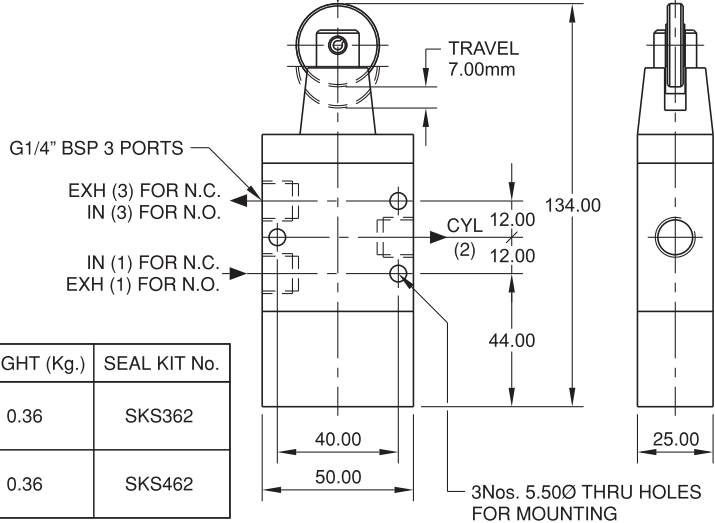
MODEL No.	DESCRIPTION	SYMBOL	WEIGHT (Kg.)	SEAL KIT No.
MS652G	1/4" 5/2 FOOT PEDAL-SPRING VALVE		0.94	SKMS652G



1/4" BSP 3/2 Direct Roller-Spring Valve



MAX. OPERATING FORCE - 60N (6Kgf)

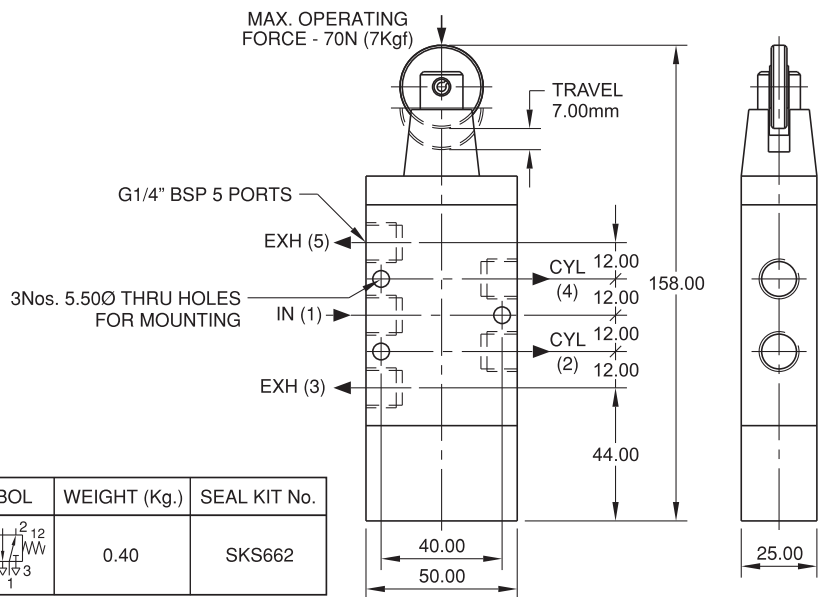


MODEL No.	DESCRIPTION	SYMBOL	WEIGHT (Kg.)	SEAL KIT No.
S362	1/4" 3/2 NORMALLY CLOSED (N.C.) DIRECT ROLLER-SPRING VALVE		0.36	SKS362
S462	1/4" 3/2 NORMALLY OPEN (N.O.) DIRECT ROLLER-SPRING VALVE		0.36	SKS462

1/4" BSP 5/2 Direct Roller-Spring Valve



MAX. OPERATING FORCE - 70N (7Kgf)



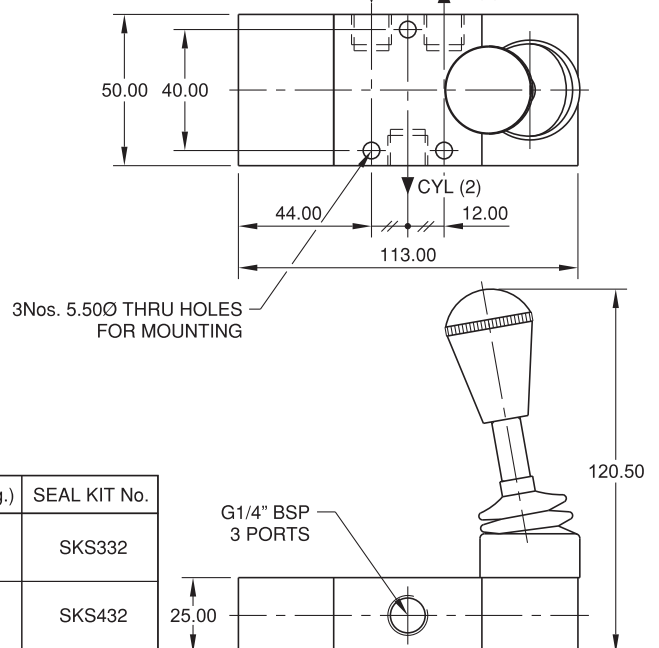
MODEL No.	DESCRIPTION	SYMBOL	WEIGHT (Kg.)	SEAL KIT No.
S662	1/4" 5/2 DIRECT ROLLER-SPRING VALVE		0.40	SKS662

1/4" BSP 3/2 Hand Lever-Spring Valve



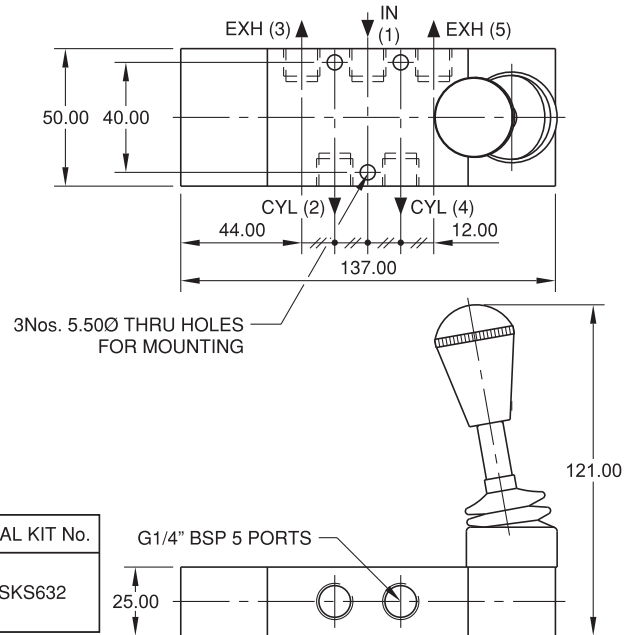
IN (1) FOR N.C.
EXH (1) FOR N.O.

EXH (3) FOR N.C.
IN (3) FOR N.O.



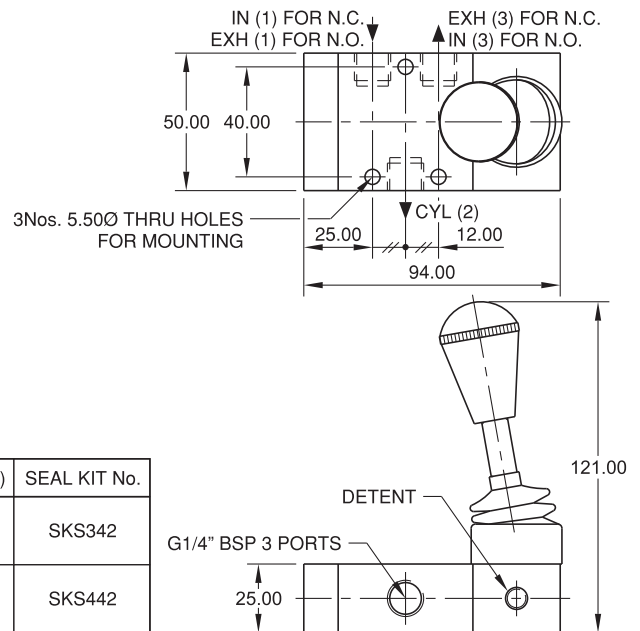
MODEL No.	DESCRIPTION	SYMBOL	WEIGHT (Kg.)	SEAL KIT No.
S332	1/4" 3/2 NORMALLY CLOSED (N.C.) HAND LEVER-SPRING VALVE		0.45	SKS332
S432	1/4" 3/2 NORMALLY OPEN (N.O.) HAND LEVER-SPRING VALVE		0.45	SKS432

1/4" BSP 5/2 Hand Lever-Spring Valve



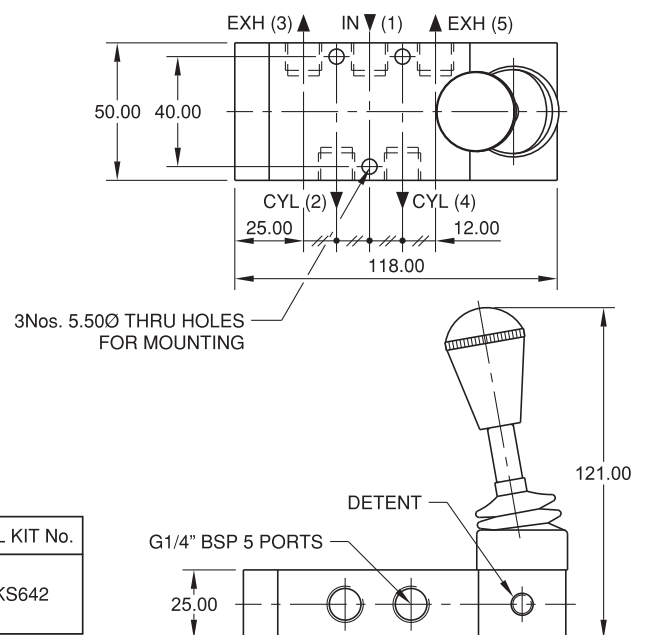
MODEL No.	DESCRIPTION	SYMBOL	WEIGHT (Kg.)	SEAL KIT No.
S632	1/4" 5/2 HAND LEVER-SPRING VALVE		0.51	SKS632

1/4" BSP 3/2 Hand Lever-Detent Valve



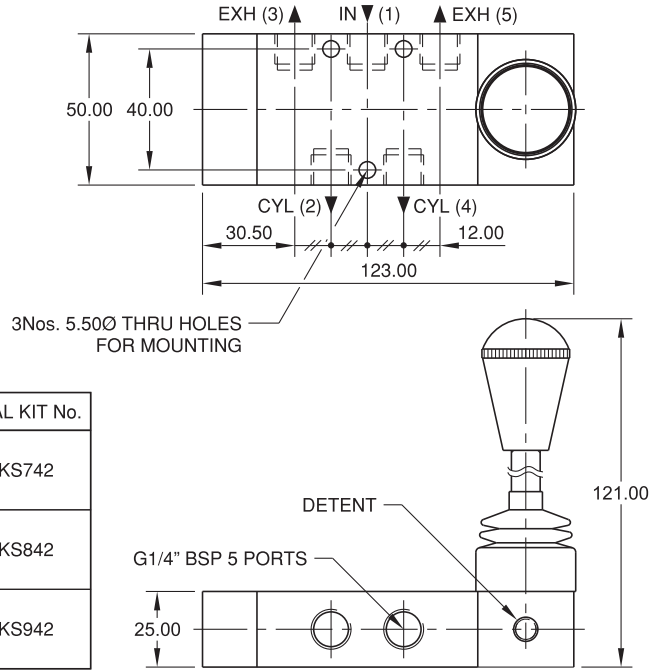
MODEL No.	DESCRIPTION	SYMBOL	WEIGHT (Kg.)	SEAL KIT No.
S342	1/4" 3/2 NORMALLY CLOSED (N.C.) HAND LEVER-DETENT VALVE		0.35	SKS342
S442	1/4" 3/2 NORMALLY OPEN (N.O.) HAND LEVER-DETENT VALVE		0.35	SKS442

1/4" BSP 5/2 Hand Lever-Detent Valve



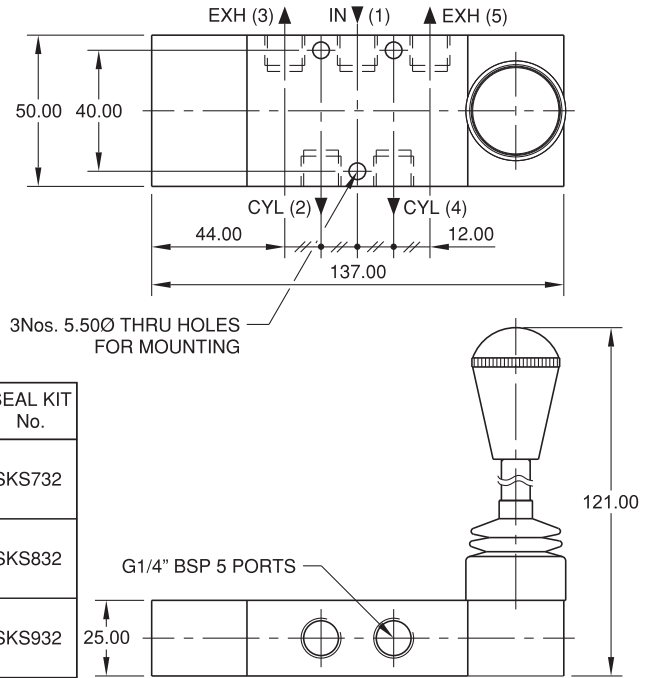
MODEL No.	DESCRIPTION	SYMBOL	WEIGHT (Kg.)	SEAL KIT No.
S642	1/4" 5/2 HAND LEVER-DETENT VALVE		0.41	SKS642

1/4" BSP 5/3 Hand Lever-Detent Valve



MODEL No.	DESCRIPTION	SYMBOL	WEIGHT (Kg.)	SEAL KIT No.
S742	1/4" BSP 5/3 PHN, HAND LEVER-DETENT VALVE		0.43	SKS742
S842	1/4" BSP 5/3 PAN, HAND LEVER-DETENT VALVE		0.43	SKS842
S942	1/4" BSP 5/3 PRN, HAND LEVER-DETENT VALVE		0.43	SKS942

1/4" BSP 5/3 Hand Lever-Spring Centered Valve



MODEL No.	DESCRIPTION	SYMBOL	WEIGHT (Kg.)	SEAL KIT No.
S732	1/4" BSP 5/3 PHN, HAND LEVER-SPRING CENTERED VALVE		0.47	SKS732
S832	1/4" BSP 5/3 PAN, HAND LEVER-SPRING CENTERED VALVE		0.47	SKS832
S932	1/4" BSP 5/3 PRN, HAND LEVER-SPRING CENTERED VALVE		0.47	SKS932



Spool Type Manually and Mechanically Actuated Valves Series S-1/2"

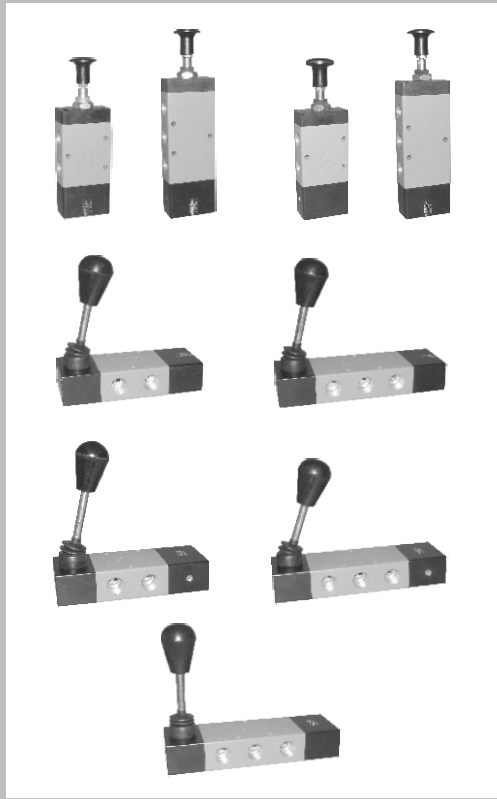


Mechanical Characteristic

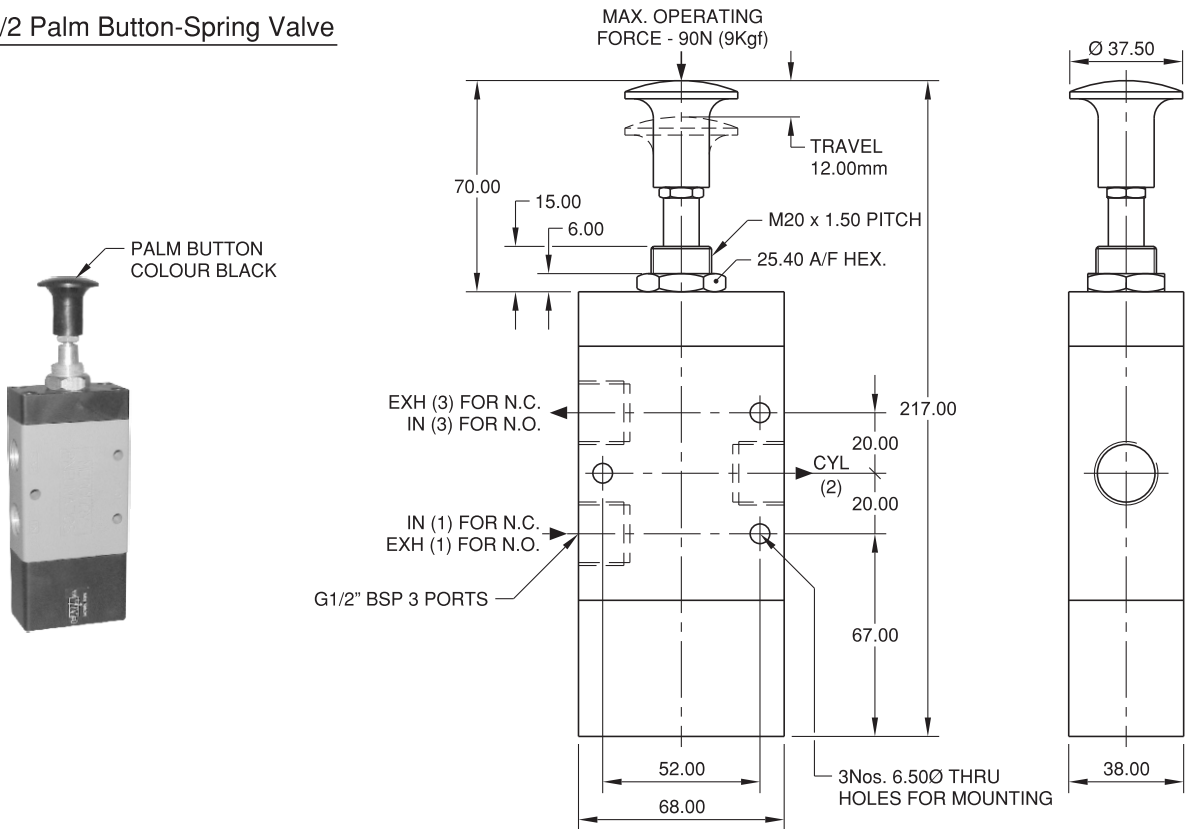
Body	: Aluminium
Orifice	: Ø12.50mm
Ports	: G1/2" BSP Female
Seals	: Nitrile Rubber
Design	: Spool type
Weight	: Refer to technical data

Operating Conditions

Media	: Air (filtered 40µ & lubricated)
Temperature Range	: +5° to +50°C
Vacuum	: To -0.9 bar
Pressure Range	: 0 to 10 bar
Leakage	: Bubble Tight
Flow (NLPM) at 5 bar	: 3000 Normal litres per min. for 3/2 & 5/2 valves 2500 Normal litres per min. for 5/3 valves

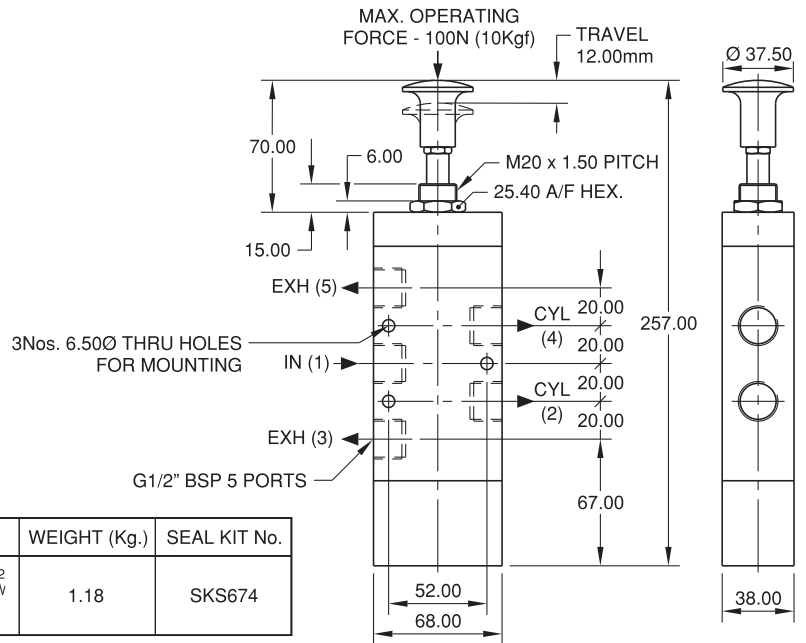
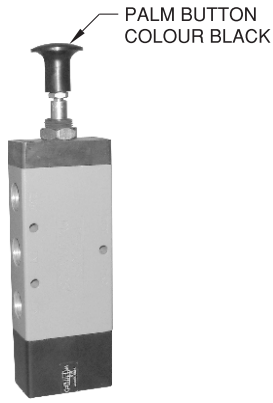


1/2" BSP 3/2 Palm Button-Spring Valve



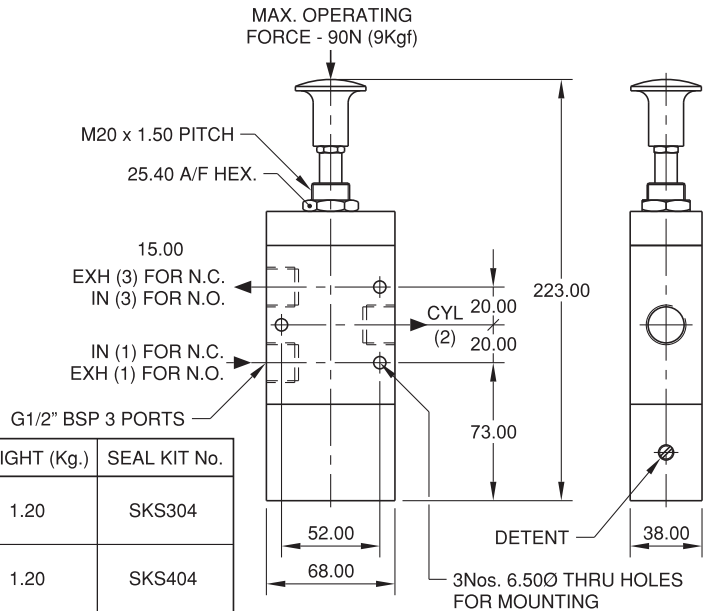
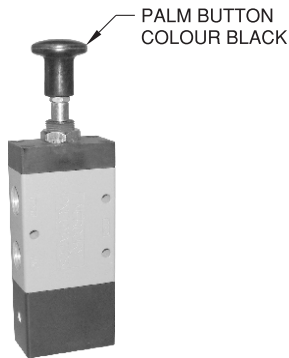
MODEL No.	DESCRIPTION	SYMBOL	WEIGHT (Kg.)	SEAL KIT No.
S374	1/2" 3/2 NORMALLY CLOSED (N.C.) PALM BUTTON-SPRING VALVE		0.97	SKS374
S474	1/2" 3/2 NORMALLY OPEN (N.O.) PALM BUTTON-SPRING VALVE		0.97	SKS474

1/2" BSP 5/2 Palm Button-Spring Valve



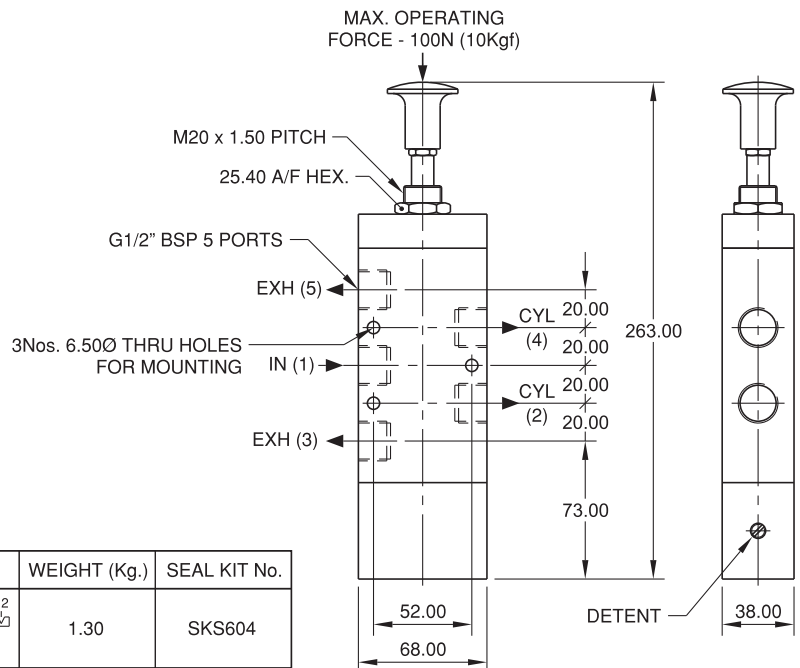
MODEL No.	DESCRIPTION	SYMBOL	WEIGHT (Kg.)	SEAL KIT No.
S674	1/2" 5/2 PALM BUTTON-SPRING VALVE		1.18	SKS674

1/2" BSP 3/2 Palm Button-Detent Valve



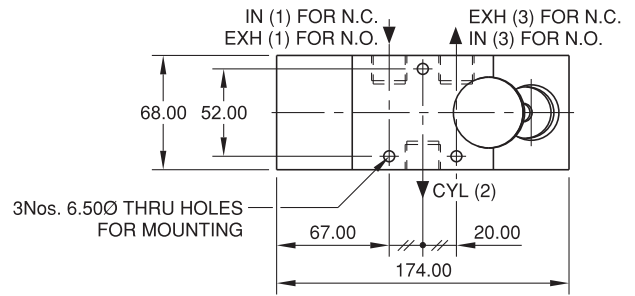
MODEL No.	DESCRIPTION	SYMBOL	WEIGHT (Kg.)	SEAL KIT No.
S304	1/2" 3/2 NORMALLY CLOSED (N.C.) PALM BUTTON-DETENT VALVE		1.20	SKS304
S404	1/2" 3/2 NORMALLY OPEN (N.O.) PALM BUTTON-DETENT VALVE		1.20	SKS404

1/2" BSP 5/2 Palm Button-Detent Valve

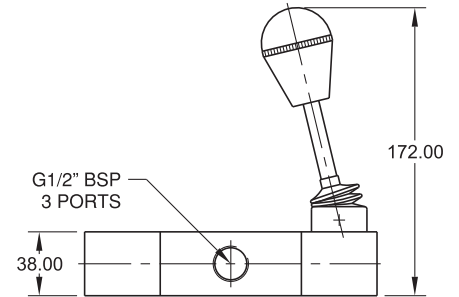


MODEL No.	DESCRIPTION	SYMBOL	WEIGHT (Kg.)	SEAL KIT No.
S604	1/2" 5/2 PALM BUTTON-DETENT VALVE		1.30	SKS604

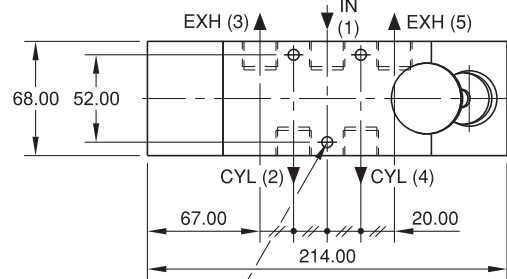
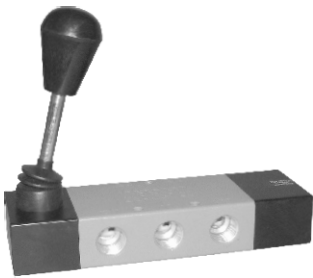
1/2" BSP 3/2 Hand Lever-Spring Valve



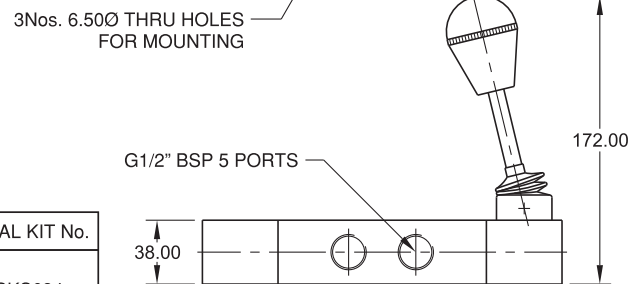
MODEL No.	DESCRIPTION	SYMBOL	WEIGHT (Kg.)	SEAL KIT No.
S334	1/2" 3/2 NORMALLY CLOSED (N.C.) HAND LEVER-SPRING VALVE		1.15	SKS334
S434	1/2" 3/2 NORMALLY OPEN (N.O.) HAND LEVER-SPRING VALVE		1.15	SKS434



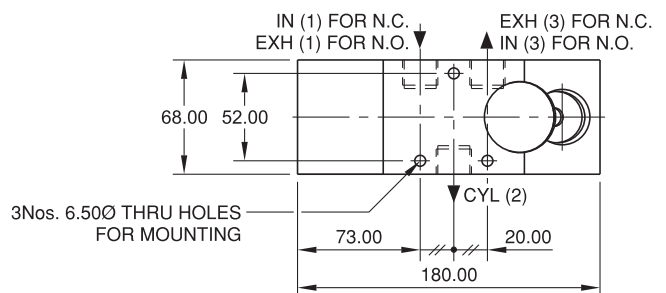
1/2" BSP 5/2 Hand Lever-Spring Valve



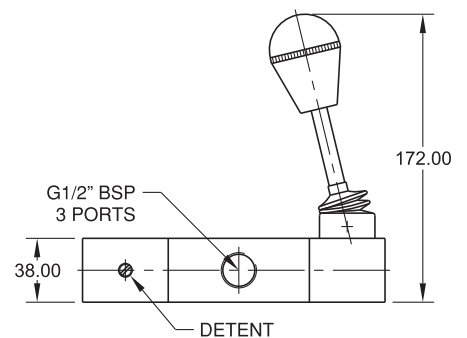
MODEL No.	DESCRIPTION	SYMBOL	WEIGHT (Kg.)	SEAL KIT No.
S634	1/2" 5/2 HAND LEVER-SPRING VALVE		1.36	SKS634



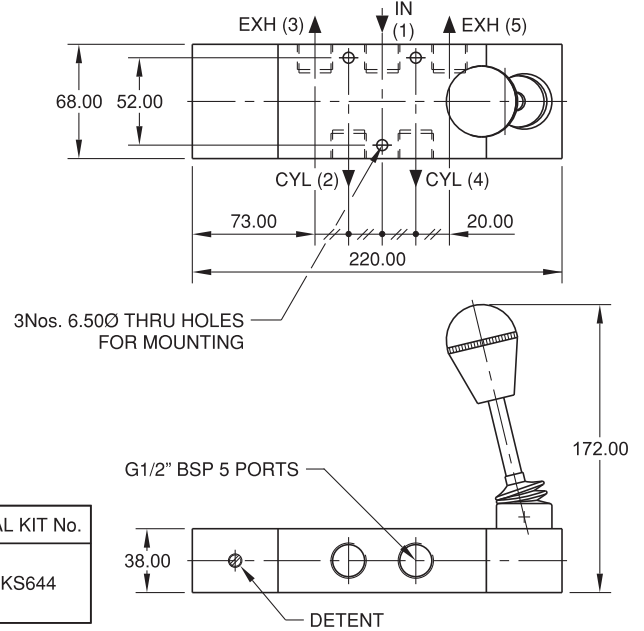
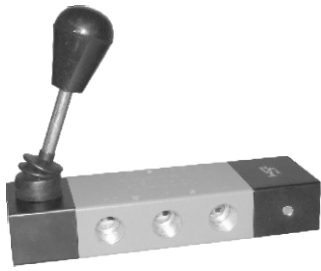
1/2" BSP 3/2 Hand Lever-Detent Valve



MODEL No.	DESCRIPTION	SYMBOL	WEIGHT (Kg.)	SEAL KIT No.
S344	1/2" 3/2 NORMALLY CLOSED (N.C.) HAND LEVER-DETENT VALVE		1.38	SKS344
S444	1/2" 3/2 NORMALLY OPEN (N.O.) HAND LEVER-DETENT VALVE		1.38	SKS444

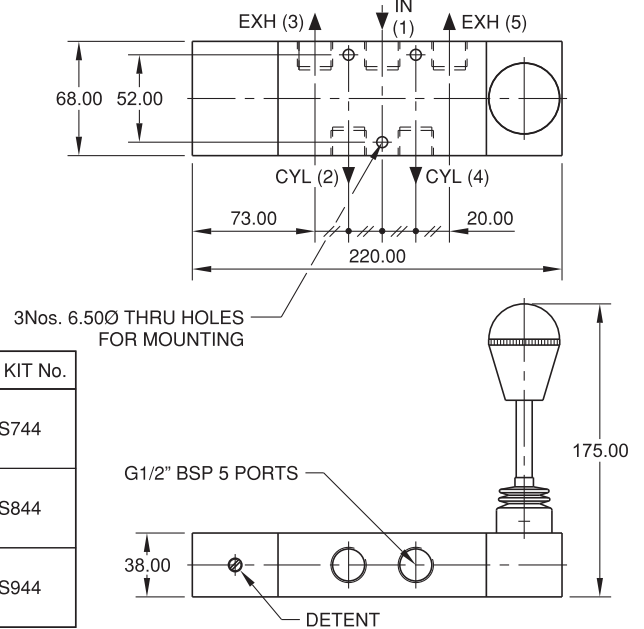
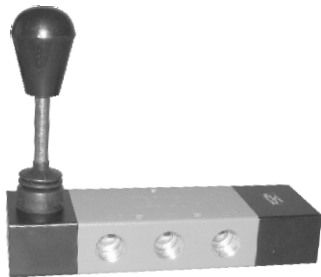


1/2" BSP 5/2 Hand Lever-Detent Valve



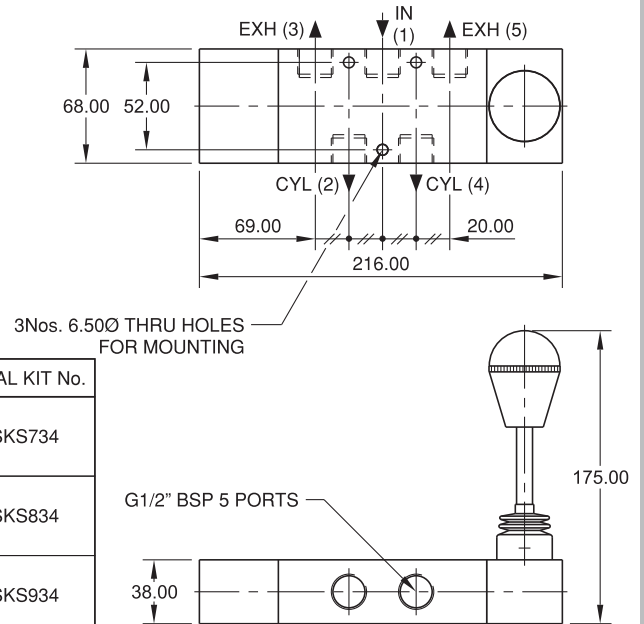
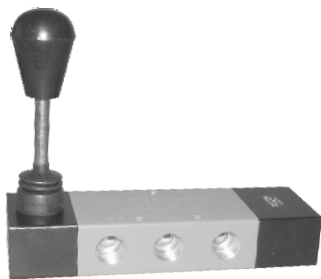
MODEL No.	DESCRIPTION	SYMBOL	WEIGHT (Kg.)	SEAL KIT No.
S644	1/2" 5/2 HAND LEVER-DETENT VALVE		1.48	SKS644

1/2" BSP 5/3 Hand Lever-Detent Valve



MODEL No.	DESCRIPTION	SYMBOL	WEIGHT (Kg.)	SEAL KIT No.
S744	1/2" BSP 5/3 PHN, HAND LEVER-DETENT VALVE		1.48	SKS744
S844	1/2" BSP 5/3 PAN, HAND LEVER-DETENT VALVE		1.48	SKS844
S944	1/2" BSP 5/3 PRN, HAND LEVER-DETENT VALVE		1.48	SKS944

1/2" BSP 5/3 Hand Lever-Spring Centered Valve



MODEL No.	DESCRIPTION	SYMBOL	WEIGHT (Kg.)	SEAL KIT No.
S734	1/2" BSP 5/3 PHN, HAND LEVER-SPRING CENTERED VALVE		1.40	SKS734
S834	1/2" BSP 5/3 PAN, HAND LEVER-SPRING CENTERED VALVE		1.40	SKS834
S934	1/2" BSP 5/3 PRN, HAND LEVER-SPRING CENTERED VALVE		1.40	SKS934