



## Special Valves for “Hydro Pneumatic Presses”

Series “NS” 1/4” & 1/2” BSP 3/2 & 5/2 Solenoid-Air Spring Valve Sub-base Mounted

# MERCURY

### Mechanical Characteristic

Body	: Aluminium
Orifice	: Refer to technical data
Ports	: Refer to technical data
Seals	: Nitrile Rubber
Design	: Spool type, internal pilot operated for 5/2 & External pilot operated for 3/2
Weight	: Refer to technical data

### Operating Conditions

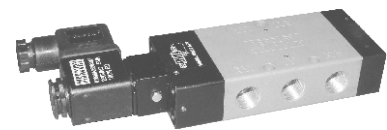
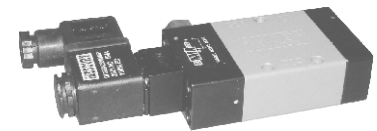
Media	: Air (filtered 40 $\mu$ & lubricated)
Temperature Range	: +5° to +50°C
Pressure Range	: 2.5 to 10 bar
Leakage	: Bubble Tight
Flow (NLPM) at 5 bar	: Refer to technical data

### Electrical Conditions

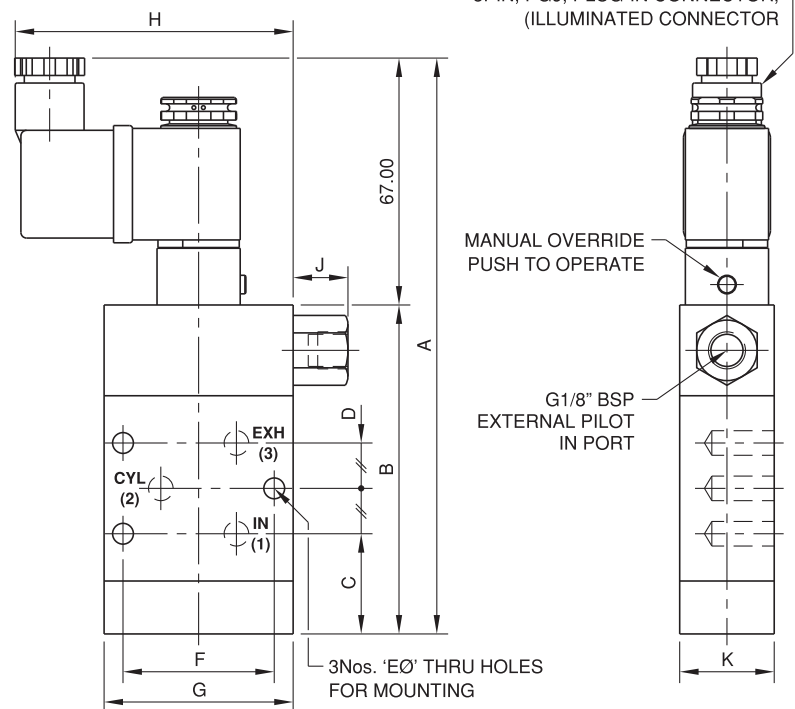
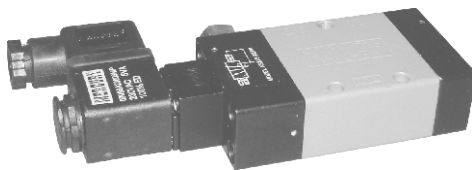
Coil Voltage	: 24 VDC & 230 VAC / 50 Hz $\pm$ 10%
Power	: DC - 3 W; AC - 5 VA Hold, 7.5 VA Pickup
Duty Cycle	: Continuous
Response Time	: 15 msec ON / 25 msec OFF
Protection	: IP 65 (as per DIN 40 050)
Connector	: Illuminated

\* While ordering specify voltage suffix as below

230VAC	24VDC
L	P



## 1/4” & 1/2” BSP 3/2 ( 3 WAY) Solenoid - Air Spring Valve with External Pilot Sub-base Mounted for Press

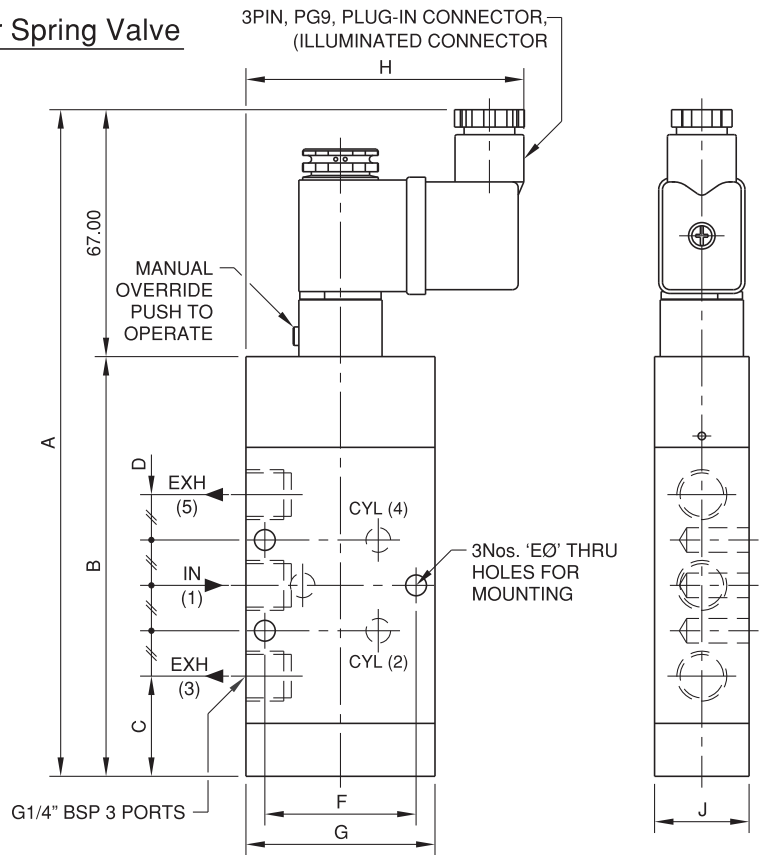
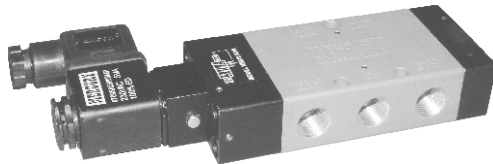


MODEL No.	DESCRIPTION	SYMBOL	ORIFICE (mm)	A	B	C	D	ØE	F	G	H	J	K	Flow at 5 bar (NLPM)	WEIGHT (Kg.)	SEAL KIT No.
NS312EPR*	1/4” 3/2 N.C. SOL. VALVE WITH EXTERNAL PILOT		Ø6.50	154.00	87.00	26.50	12.00	5.50	40.00	50.00	73.50	14.50	25.00	1100	0.39	SKNS312EPR
NS314EPR*	1/2” 3/2 N.C. SOL. VALVE WITH EXTERNAL PILOT		Ø12.50	204.00	137.00	43.00	20.00	6.50	52.00	68.00	82.50	-	38.00	3000	0.95	SKNS314EPR

\* ADD VOLTAGE & CONNECTOR SUFFIX WHILE ORDERING

# 1/4" & 1/2" BSP 5/2 (4 WAY) Solenoid - Air Spring Valve

## Sub-base Mounted for Press

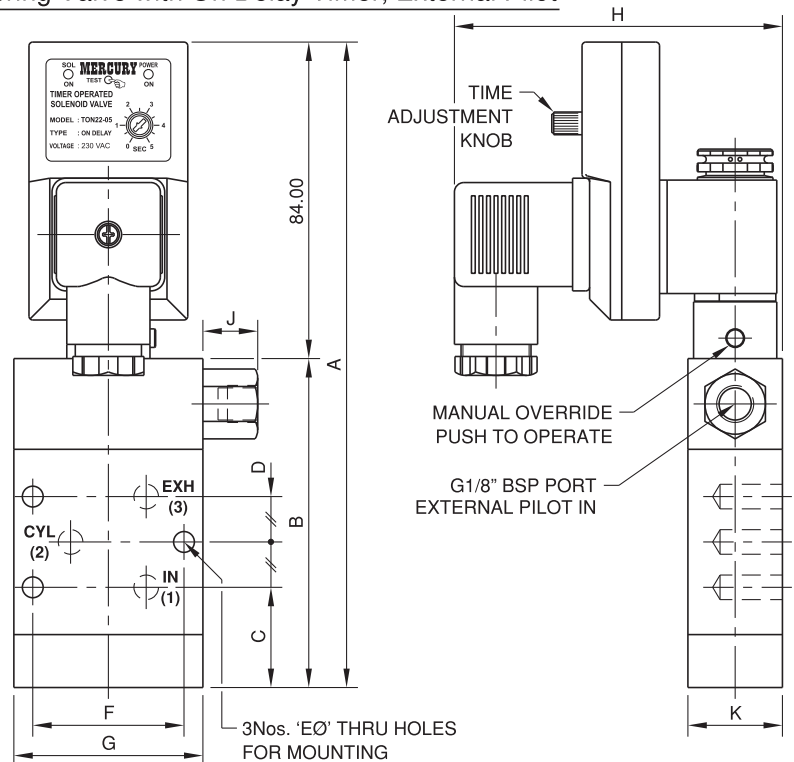
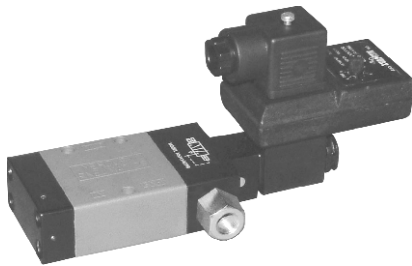


\* ADD VOLTAGE & CONNECTOR SUFFIX WHILE ORDERING

MODEL No.	DESCRIPTION	SYMBOL	ORIFICE (mm)	A	B	C	D	ØE	F	G	H	J	Flow at 5 bar (NLPM)	WEIGHT (Kg.)	SEAL KIT No.
NS612PR *	1/4" 5/2 N.C. SOLENOID VALVE		Ø6.50	178.00	111.00	26.50	12.00	5.50	40.00	50.00	73.50	25.00	1100	0.43	SKNS612PR
NS614PR *	1/2" 5/2 N.C. SOLENOID VALVE		Ø12.50	244.00	177.00	43.00	20.00	6.50	52.00	68.00	82.50	38.00	3000	1.13	SKNS614PR

# 1/4" & 1/2" BSP 3/2 (3 WAY) Solenoid - Air Spring Valve with On Delay Timer, External Pilot

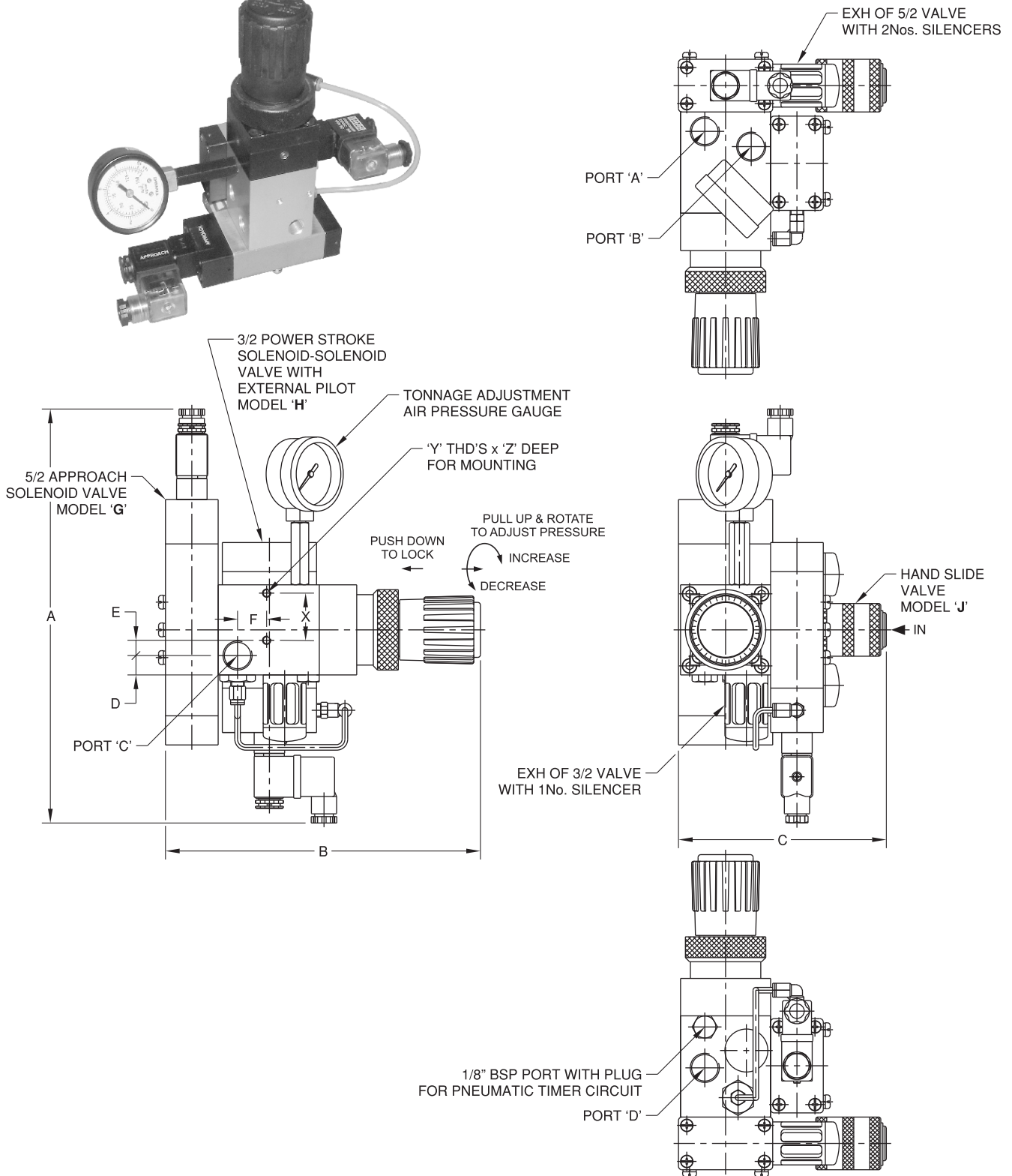
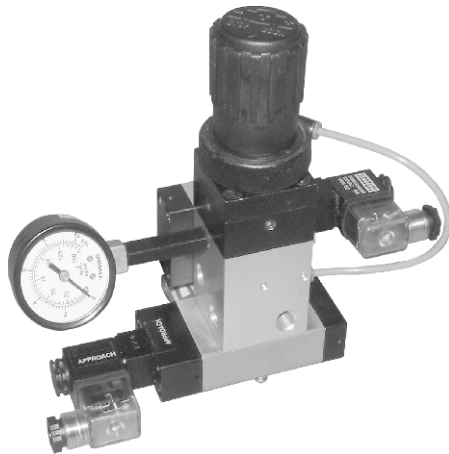
## Operated, Sub-base Mounted for Press



MODEL No.	DESCRIPTION	SYMBOL	ORIFICE (mm)	A	B	C	D	ØE	F	G	H	J	K	Flow at 5 bar NLPM	WEIGHT (Kg.)	SEAL KIT No.
NS312ET *	1/4" 3/2 SOL. VALVE TIMER OPERATED FOR PRESS WITH EXTERNAL PILOT		Ø6.50	171.00	87.00	26.50	12.00	5.50	40.00	50.00	87.00	14.50	25.00	1100	0.44	SKNS312ET
NS314ET *	1/2" 3/2 SOL. VALVE TIMER OPERATED FOR PRESS WITH EXTERNAL PILOT		Ø12.50	221.00	137.00	43.00	20.00	6.50	52.00	68.00	93.50	-	38.00	3000	1.00	SKNS314ET



# Valve - Regulator Assembly for Standard Hydro Pneumatic Presses

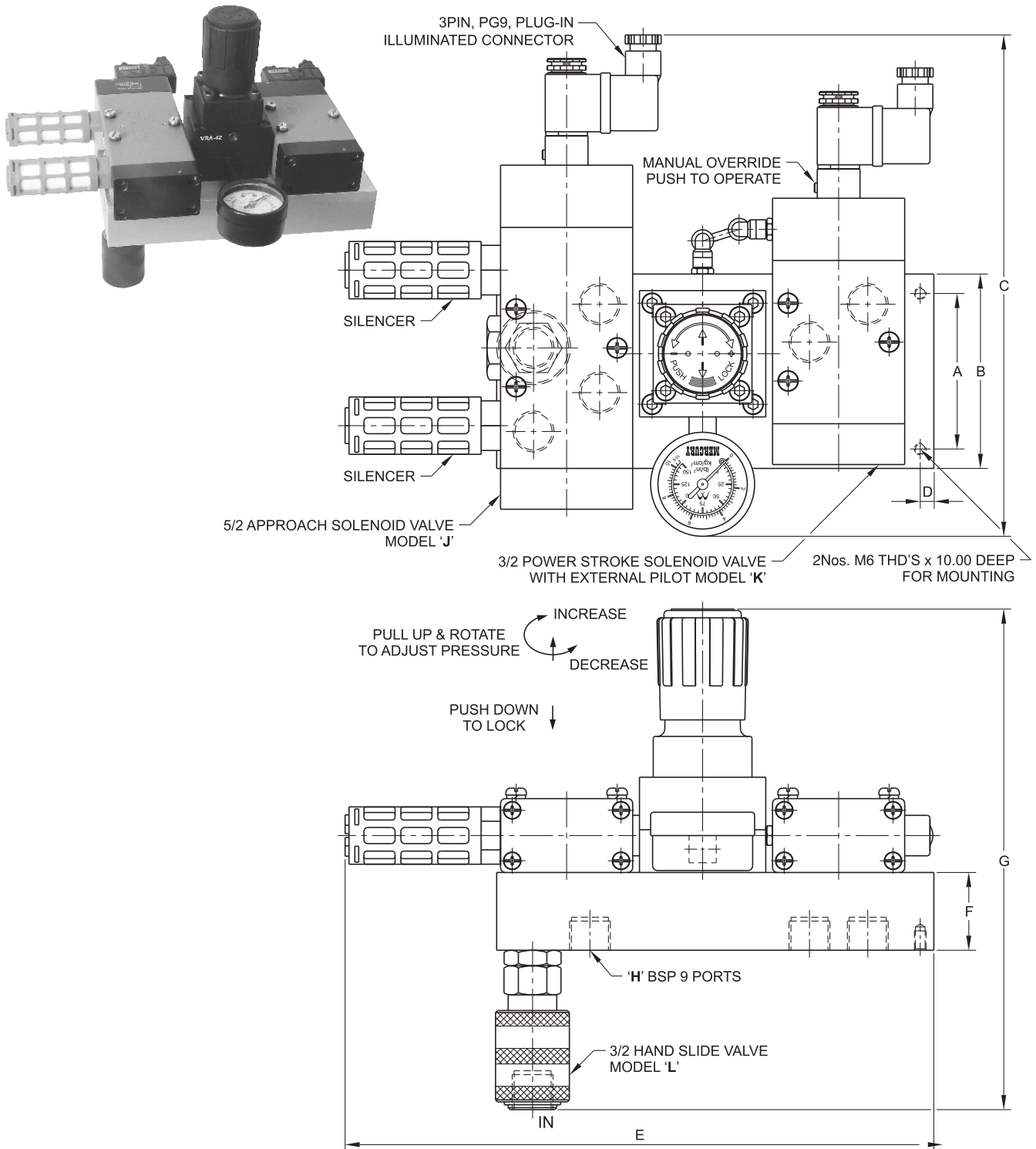


MODEL No.	DESCRIPTION	MODEL 'G'	MODEL 'H'	MODEL 'J'	A	B	C	D	E	F	X	Y	Z
VRA2 *	1/4" VALVE-REGULATOR ASSEMBLY	NS612PR	NS312EPR	SV2	248	198	150	13.40	9.40	26.50	23.50	M5	8
VRA2T *	1/4" VALVE-REGULATOR ASSEMBLY WITH TIMER	NS612PR	NS312ET	SV2	265	198	150	13.40	9.40	26.50	23.50	M5	8
VRA4 *	1/2" VALVE-REGULATOR ASSEMBLY	NS614PR	NS314EPR	SV4	302	228	150	14.00	11.00	21.50	34.00	M6	10
VRA4T *	1/2" VALVE-REGULATOR ASSEMBLY WITH TIMER	NS614PR	NS314ET	SV4	319	228	150	14.00	11.00	21.50	34.00	M6	10

\* ADD VOLTAGE & CONNECTOR SUFFIX WHILE ORDERING



# Valve - Regulator Assembly for Series "Z" Press Systems



MODEL No.	DESCRIPTION	MODEL 'J'	MODEL 'K'	MODEL 'L'	A	B	C	D	E	F	G	H BSP	WEIGHT (Kg.)	SEAL KIT No.
VRA2Z *	1/4" VALVE-REGULATOR ASSEMBLY	NS612PR	NS312EPR	SV2	56.00	76.00	228.00	7.00	246.00	25.40	227.00	1/4"	2.92	SKVRA2Z
VRA2ZT *	1/4" VALVE-REGULATOR ASSEMBLY WITH TIMER	NS612PR	NS312ET	SV2	56.00	76.00	228.00	7.00	263.00	25.40	227.00	1/4"	2.97	SKVRA2ZT
VRA4Z *	1/2" VALVE-REGULATOR ASSEMBLY	NS614PR	NS314EPR	SV4	80.00	100.00	258.00	7.00	303.00	40.00	258.00	1/2"	5.35	SKVRA4Z
VRA4ZT *	1/2" VALVE-REGULATOR ASSEMBLY WITH TIMER	NS614PR	NS314ET	SV4	80.00	100.00	258.00	7.00	320.00	40.00	258.00	1/2"	5.40	SKVRA4ZT

\* ADD VOLTAGE & CONNECTOR SUFFIX WHILE ORDERING

230VAC	24VDC
L	P



# Valve - Regulator Assembly for Compact Hand Lever Operated Presses

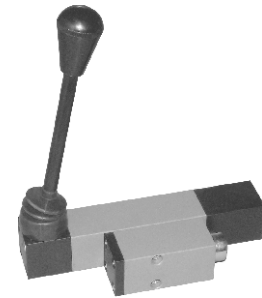


### Mechanical Characteristic

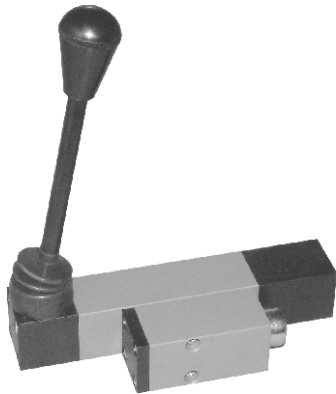
Body	: Aluminium
Orifice	: Ø6.50mm
Ports	: G1/4" BSP Female
Seals	: Nitrile Rubber
Design	: Spool type
Weight	: Refer to technical data

### Operating Conditions

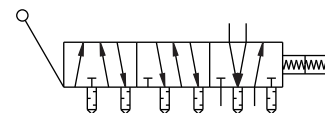
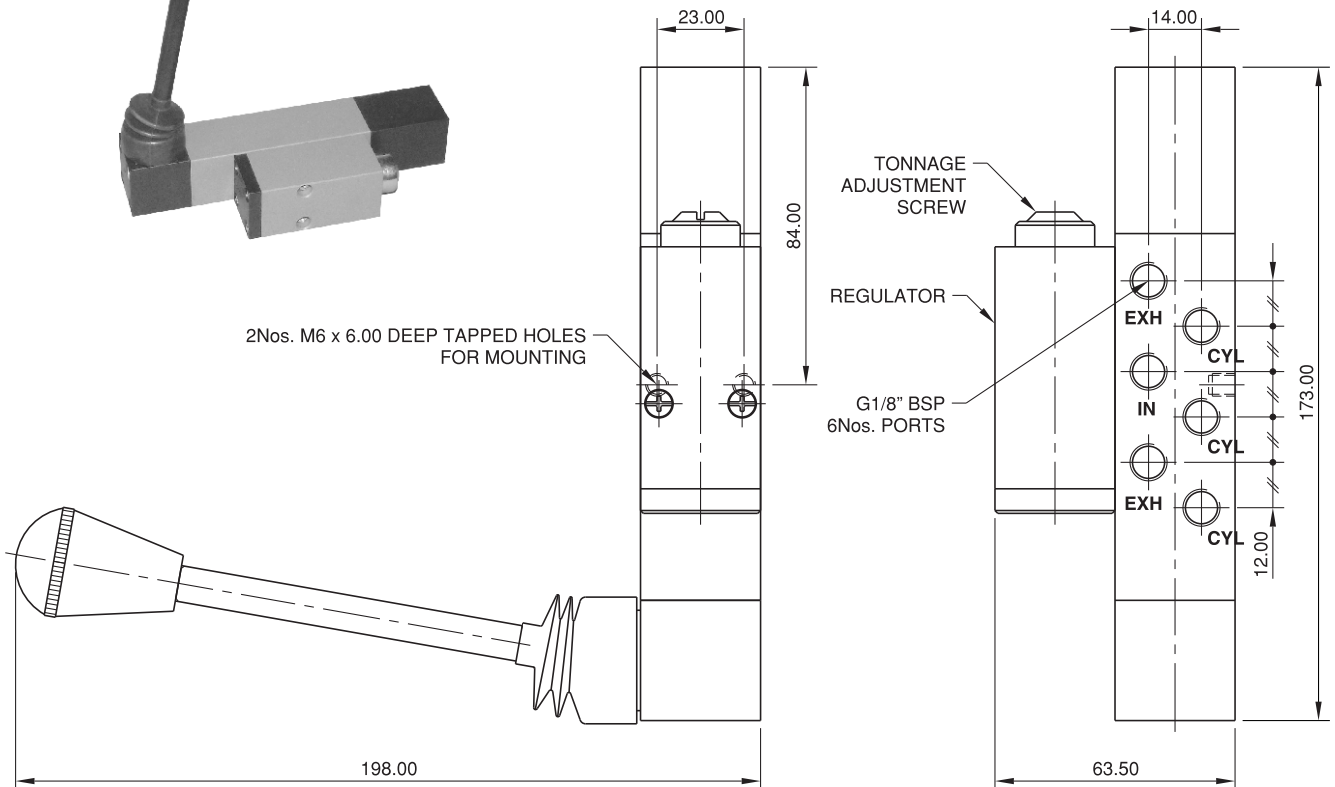
Media	: Air (filtered 40µ & lubricated)
Temperature Range	: +5° to +50°C
Vacuum	: To -0.9 bar
Pressure Range	: 0 to 10 bar
Leakage	: Bubble Tight
Flow (NLPM) at 5 bar	: 1100 Normal litres per min. for 3/2 & 5/2 valves 1000 Normal litres per min. for 5/3 valves



### Model No. VRA1



2Nos. M6 x 6.00 DEEP TAPPED HOLES FOR MOUNTING



**PNEUMATIC  
DIAGRAM**

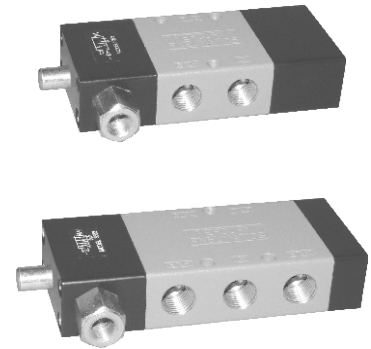


**Mechanical Characteristic**

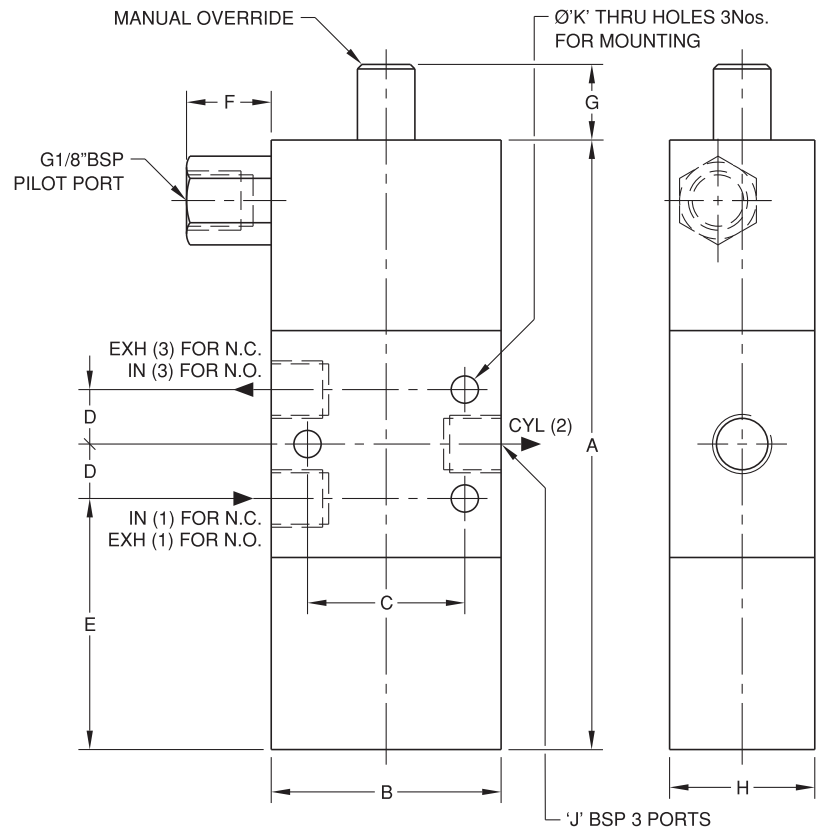
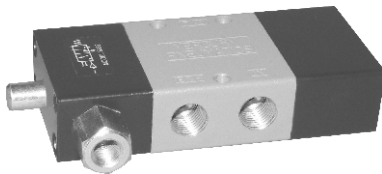
Body	: Aluminium
Orifice	: Refer to technical data
Ports	: BSP Female
Seals	: Nitrile Rubber
Design	: Spool type
Weight	: Refer to technical data

**Operating Conditions**

Media	: Air (filtered 40 $\mu$ & lubricated)
Temperature Range	: +5° to +50°C
Vacuum	: To -0.9 bar
Pressure Range	: 2.5 to 10 bar
Leakage	: Bubble Tight
Flow (NLPM) at 5 bar	: Refer to technical data

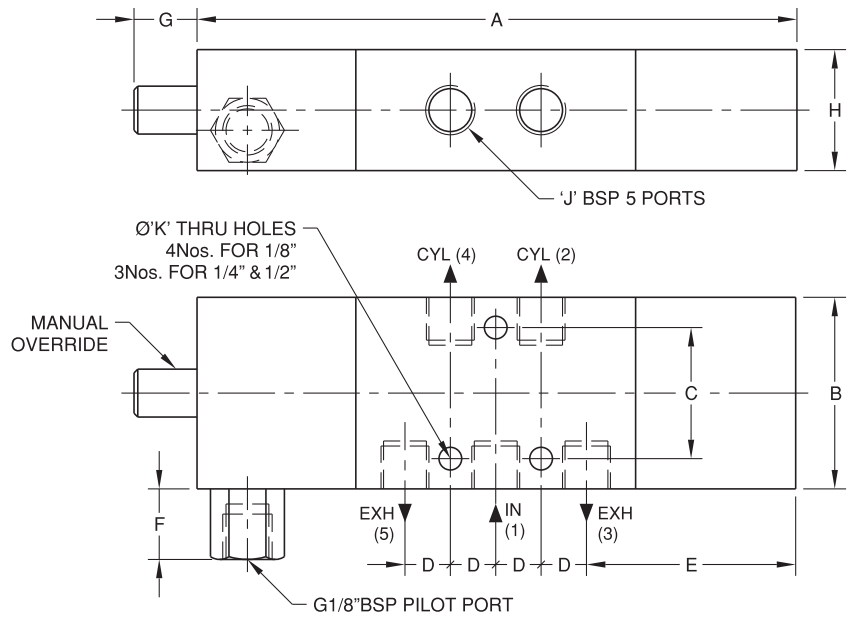


**3/2 (3 WAY) Pilot-Spring Valve**



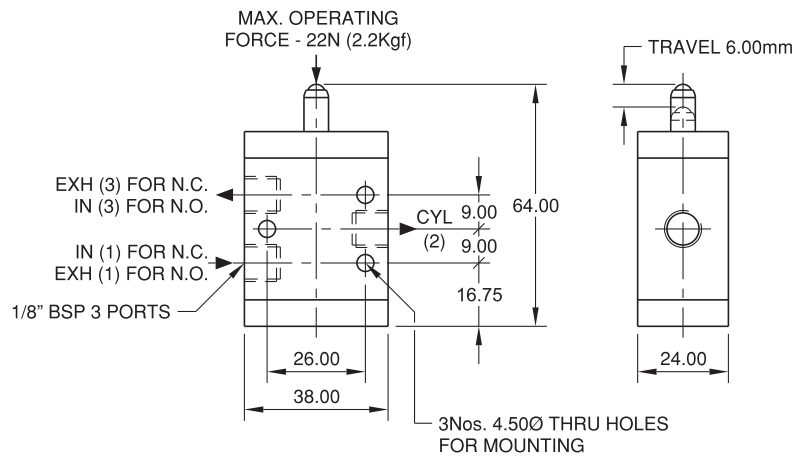
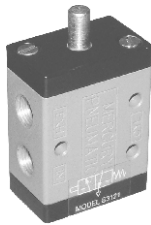
MODEL No.	SIZE	DESCRIPTION	SYMBOL	A	B	C	D	E	F	G	H	J (BSP)	ØK	ORIFICE (mm)	FLOW (NLPM)	WEIGHT (Kg.)	SEAL KIT NO.
S382	1/4"	3/2 NORMALLY CLOSED		112.00	50.00	40.00	12.00	44.00	14.50	12.50	25.00	1/4"	5.50	Ø6.50	1100	0.40	SKS382
S384	1/2"			161.00	68.00	52.00	20.00	67.00	-	26.00	38.00	1/2"	6.50	Ø12.50	3000	0.96	SKS384

### 5/2 (4 WAY) Pilot-Spring Valve



MODEL No.	SIZE	SYMBOL	A	B	C	D	E	F	G	H	J (BSP)	ØK	ORIFICE (mm)	FLOW (NLPM)	WEIGHT (Kg.)	SEAL KIT NO.
S682	1/4"		136.00	50.00	40.00	12.00	44.00	14.50	12.50	25.00	1/4"	5.50	Ø6.50	1100	0.43	SKS682
S684	1/2"		214.00	68.00	52.00	20.00	67.00	-	26.00	38.00	1/2"	6.50	Ø12.50	3000	1.18	SKS684

### 1/8" BSP 3/2 Plunger-Spring Valve



MODEL No.	DESCRIPTION	SYMBOL	WEIGHT (Kg.)	SEAL KIT No.
S3121	1/8" 3/2 NORMALLY CLOSED (N.C.) PLUNGER-SPRING VALVE		0.12	SKS3121