



Direct Acting Standard Solenoid Valves (M32)

Series "D" 1/8" BSP & 1/4" BSP 2/2 & 3/2 Direct Acting Solenoid valves and Gang Assembly



Mechanical Characteristic

Body	: Aluminium (Brass & Stainless Steel on request)
Orifice	: Ø1.50mm (other orifice available on request, refer chart)
Ports	: G1/8" BSP & G1/4" BSP Female
Seals	: Nitrile Rubber
Design	: Poppet type, directly actuated
Weight	: Refer to technical data

Operating Conditions

Media	: Compressed Air (filtered 40µ), Vacuum
Temperature Range	: 0° to +50°C
Vacuum	: To -0.9 bar
Leakage	: Bubble Tight
Pressure Range	: 0 to 10 bar
Flow (NLPM)	: 65 Normal litres per min.

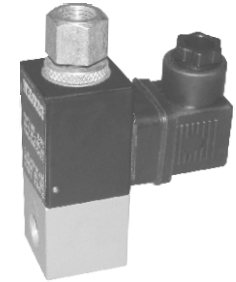
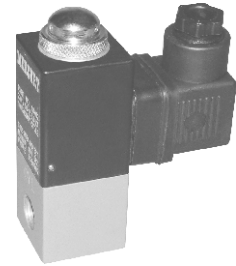
Electrical Conditions

Coil Voltage	: 6,12 & 24 VDC; 12, 24, 42,110, 230 & 440VAC ±10%
Power	: DC - 7.5 W; AC - 9 VA Hold, 18 VA Pickup
Duty Cycle	: Continuous
Response Time	: 10 msec ON / 20 msec OFF
Protection	: IP 65 (as per DIN 40 050)
Connector	: Black (illuminated on request)

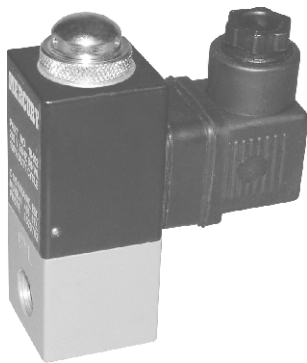
NOTE :- While ordering please specify

1. Orifice required, if other than standard 1.50mm dia.
2. Optional manual override available on request.
3. * Coil voltage & type of connector. Add voltage & connector suffix as below to model no.

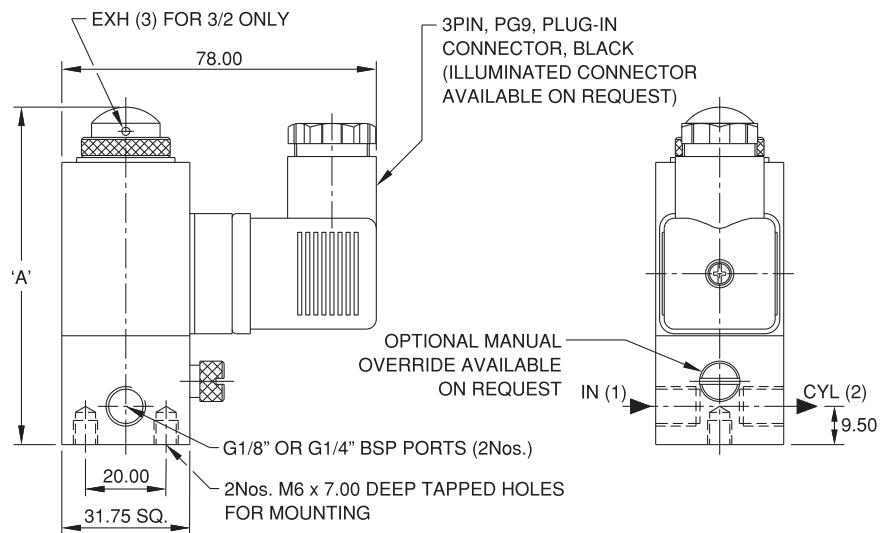
Connector	230VAC	24VAC	12VAC	24VDC	12VDC	110VAC	48VAC	440VAC	6VDC
BLACK	A	B	C	D	E	F	G	H	J
ILLUMINATED	L	M	N	P	Q	R	S	T	U



1/8" BSP & 1/4" BSP 2/2 (2 WAY) & 3/2 (3 WAY) Normally Closed Direct Acting Solenoid Valve



(!) ORIFICE - PRESSURE CHART



Orifice Pressure Chart		
Orifice mm	Max. Pressure bar	
	2/2 TYPE	3/2 TYPE
1.10	10.0	8
2.00	10.0	8
2.50	8.6	5.2
3.00	7.5	4
4.00	4.5	2.5
5.00	2.6	1.7
6.00	2.0	1.1

MODEL No.	SIZE (BSP)	DESCRIPTION	'A'	SYMBOL	WEIGHT (Kg.)	SEAL KIT No.
D121(!) *	1/8"	2/2 (2 WAY) NORMALLY CLOSED	85.00		0.33	SKD121
D122(!) *	1/4"		89.00		0.34	SKD122
D321(!) *	1/8"	3/2 (3 WAY) NORMALLY CLOSED	85.00		0.33	SKD321
D322(!) *	1/4"		89.00		0.34	SKD322

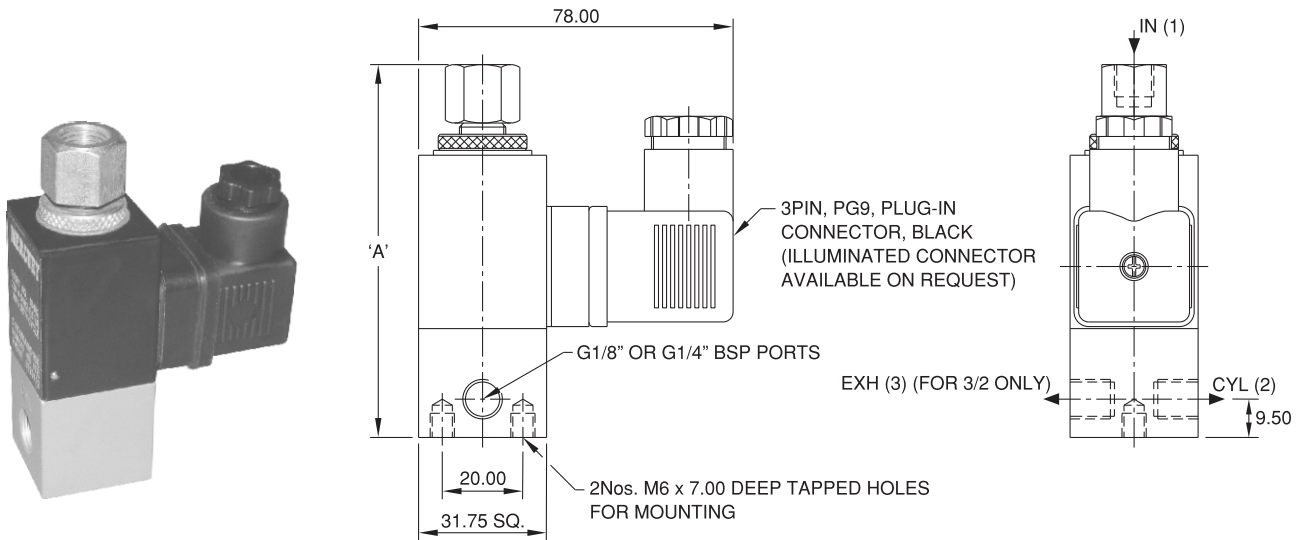
(!) ADD ORIFICE AS PER CHART

* ADD VOLTAGE & CONNECTOR SUFFIX WHILE ORDERING

Example :- 1/4" 3/2 Solenoid-Spring Valve with 2.00mm Orifice, 230VAC illuminated connector.

D322(2)L

1/8" BSP & 1/4" BSP 2/2 (2 WAY) 3/2 (3 WAY) Normally Open Direct Acting Solenoid Valve



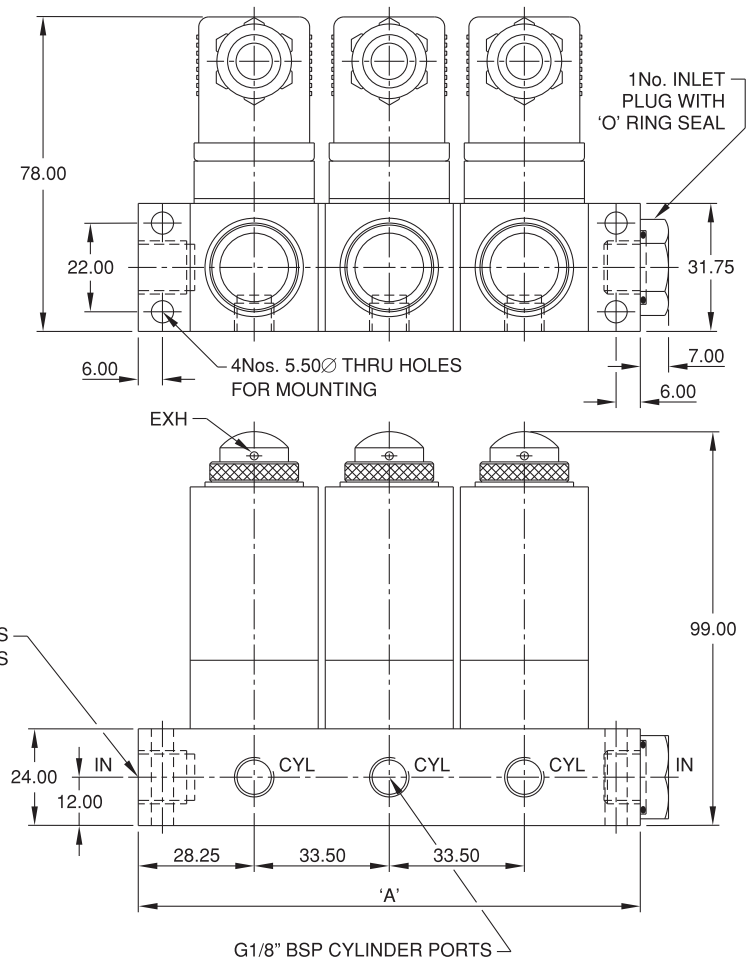
MODEL No.	SIZE (BSP)	DESCRIPTION	'A'	SYMBOL	WEIGHT (Kg.)	SEAL KIT No.
D221(!) *	1/8"	2/2 (2 WAY) NORMALLY OPEN	93.00		0.35	SKD221
D222(!) *	1/4"		97.00		0.36	SKD222
D421(!) *	1/8"	3/2 (3 WAY) NORMALLY OPEN	93.00		0.35	SKD421
D422(!) *	1/4"		97.00		0.36	SKD422

(!) ADD ORIFICE AS PER CHART

* ADD VOLTAGE & CONNECTOR SUFFIX WHILE ORDERING

Gang Manifold Assemblies 1/8" BSP 3/2 (3 WAY) Direct Acting Solenoid Valves

Note:- Special gang assemblies as per customer circuit can be designed and supplied.



MODEL No.	'A' (± 25)	WEIGHT (Kg.)	SEAL KIT No.
DG-02*	90.00, FOR 2 VALVES	0.78	SKDG-02
DG-03*	123.50, FOR 3 VALVES	1.12	SKDG-03
DG-04*	157.00, FOR 4 VALVES	1.47	SKDG-04
DG-05*	190.00, FOR 5 VALVES	1.81	SKDG-05
DG-06*	224.00, FOR 6 VALVES	2.15	SKDG-06
DG-07*	257.50, FOR 7 VALVES	2.50	SKDG-07
DG-08*	291.00, FOR 8 VALVES	2.84	SKDG-08

* ADD VOLTAGE & CONNECTOR SUFFIX WHILE ORDERING