



Spool Type Solenoid Valves Series MS-1/8"

Series "MS" 1/8" BSP 3/2, 5/2 & 5/3 Solenoid-Spring & Solenoid-Solenoid spool valves



Mechanical Characteristic

Body	: Aluminium
Orifice	: Ø3.50mm
Ports	: G1/8" BSP Female
Seals	: Nitrile Rubber
Design	: Spool type, internal pilot operated
Weight	: Refer to technical data

Operating Conditions

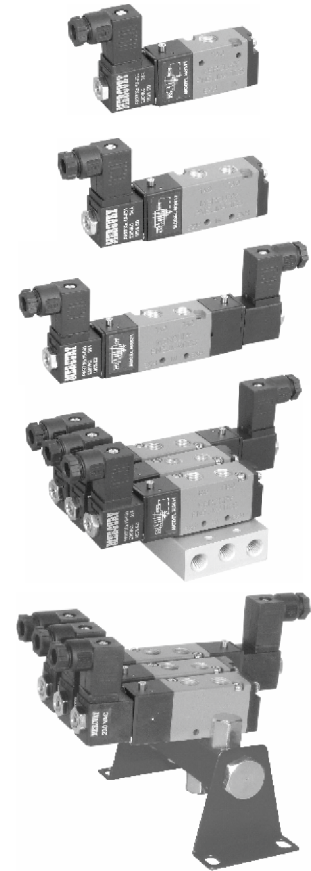
Media	: Air (filtered 40µ & lubricated)
Temperature Range	: +5° to +50°C
Pressure Range	: 2.5 to 9 bar
Leakage	: Bubble Tight
Flow (NLPM) at 5 bar	: 300 Normal litres per min.

Electrical Conditions

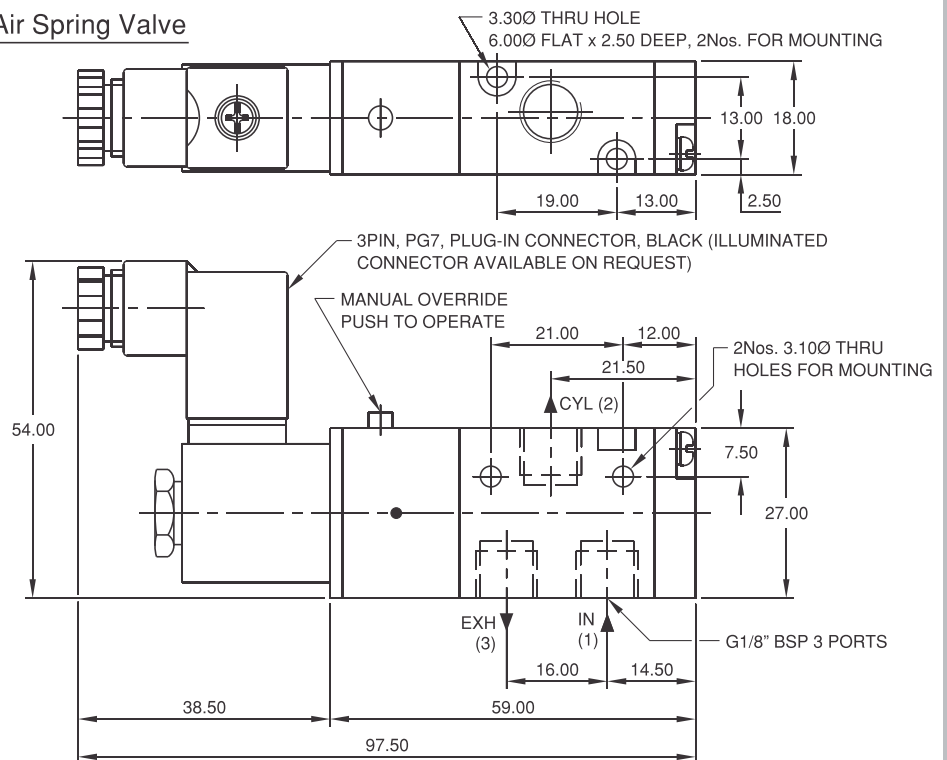
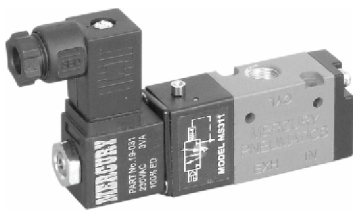
Coil Voltage	: 24 VDC & 230 VAC ±10%
Power	: DC - 2.5 W; AC - 3 VA Hold, 5.5 VA Pickup
Duty Cycle	: Continuous
Response Time	: 15 msec ON / 25 msec OFF
Protection	: IP 65
Connector	: Black (illuminated on request)

* While ordering specify Coil voltage & type of connector. Add voltage & connector suffix as below to model no.

Connector	230VAC	24VDC
BLACK	A	D
ILLUMINATED	L	P



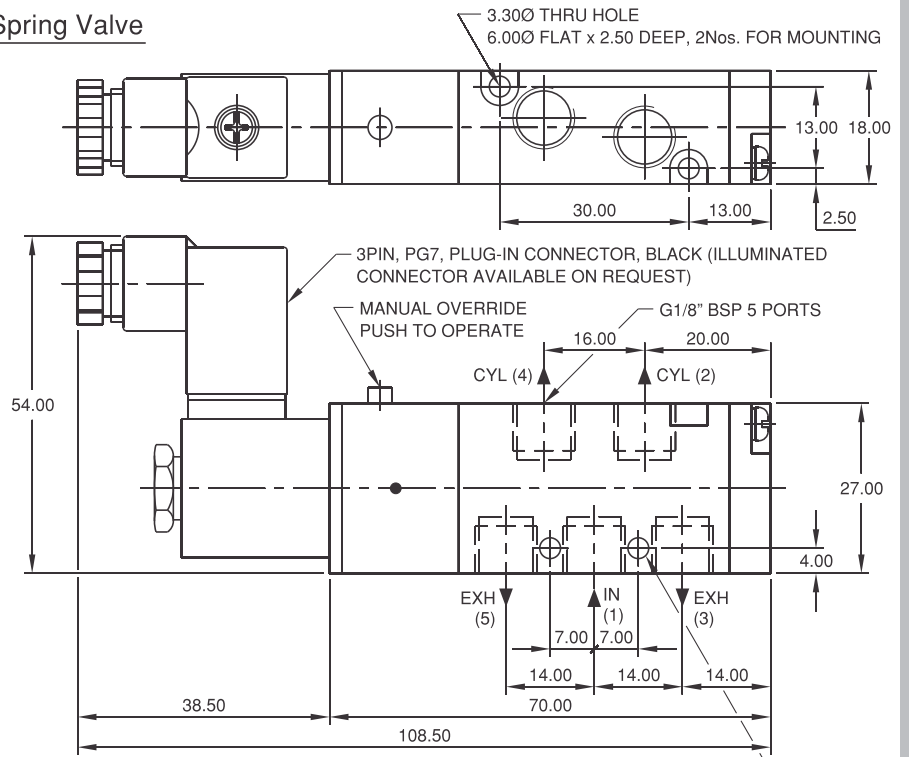
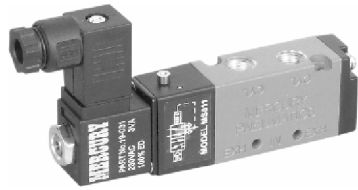
1/8" BSP 3/2 (3 WAY) Solenoid - Air Spring Valve



MODEL No.	DESCRIPTION	SYMBOL	WEIGHT (Kg.)	SEAL KIT No.
MS311*	1/8" 3/2 NORMALLY CLOSED SPOOL TYPE SOLENOID VALVE		0.10	SKMS311

* ADD VOLTAGE & CONNECTOR SUFFIX WHILE ORDERING

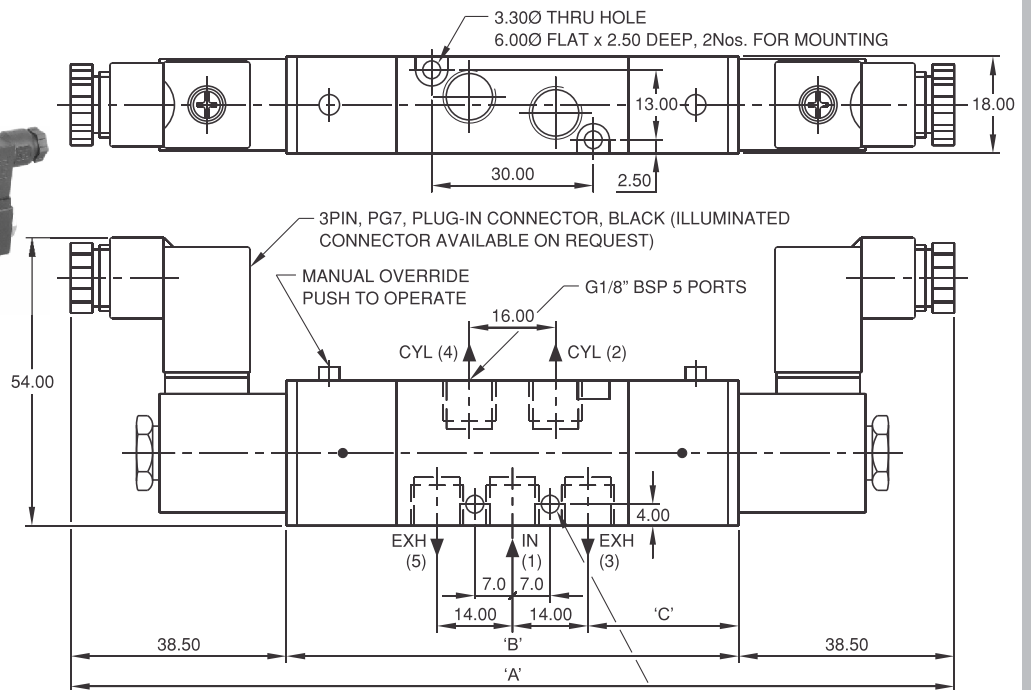
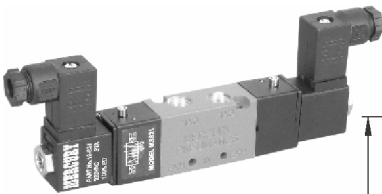
1/8" BSP 5/2 (4 WAY) Solenoid - Air Spring Valve



MODEL No.	DESCRIPTION	SYMBOL	WEIGHT (Kg.)	SEAL KIT No.
MS611*	1/8" 5/2, SPOOL TYPE SOLENOID-SPRING VALVE		0.12	SKMS611

* ADD VOLTAGE & CONNECTOR SUFFIX WHILE ORDERING

1/8" BSP 5/2 (4 WAY 2 POSITION) & 5/3 (4 WAY 3 POSITION) Solenoid - Solenoid Valve



MODEL No.	DESCRIPTION	SYMBOL	WEIGHT (Kg.)	SEAL KIT No.
MS621*	1/8" 5/2, SPOOL TYPE SOLENOID-SOLENOID VALVE		0.18	SKMS621
MS721*	1/8" 5/3 PHN, SPOOL TYPE SOLENOID-SOLENOID VALVE		0.20	SKMS721
MS821*	1/8" 5/3 PAN, SPOOL TYPE SOLENOID-SOLENOID VALVE		0.20	SKMS821
MS921*	1/8" 5/3 PRN, SPOOL TYPE SOLENOID-SOLENOID VALVE		0.20	SKMS921

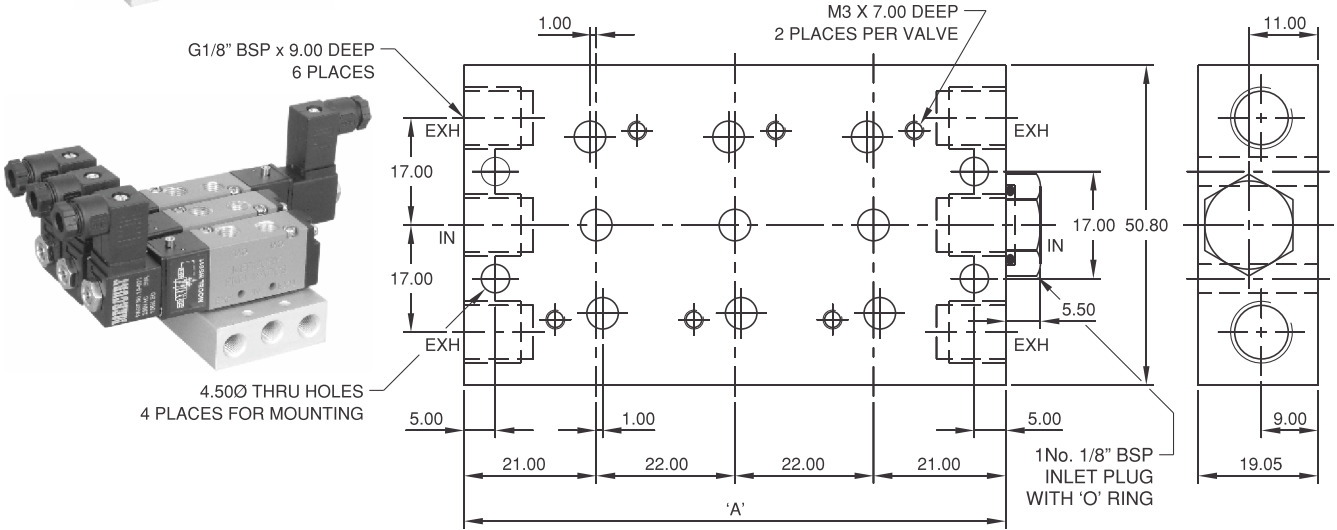
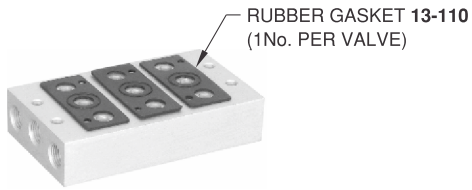
MODEL No.	'A'	'B'	'C'
NS621	161.00	84.00	28.00
NS721	176.00	99.00	43.00
NS821	176.00	99.00	43.00
NS921	176.00	99.00	43.00

* ADD VOLTAGE & CONNECTOR SUFFIX WHILE ORDERING

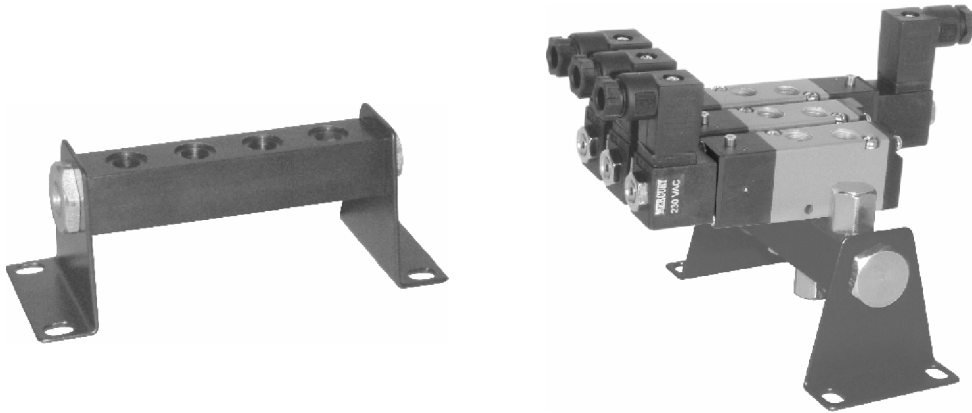
Sub - Base Manifold

Note:- Special gang assemblies as per customer's circuit can be designed and supplied.

MODEL No.	'A'	WEIGHT (Kg.)	SEAL KIT No.
MSG1-2	64.00, FOR 2 VALVES	0.14	SKMSG1-2
MSG1-3	86.00, FOR 3 VALVES	0.19	SKMSG1-3
MSG1-4	108.00, FOR 4 VALVES	0.24	SKMSG1-4
MSG1-5	130.00, FOR 5 VALVES	0.30	SKMSG1-5
MSG1-6	152.00, FOR 6 VALVES	0.35	SKMSG1-6
MSG1-7	174.00, FOR 7 VALVES	0.40	SKMSG1-7
MSG1-8	196.00, FOR 8 VALVES	0.45	SKMSG1-8



Common Supply Manifold



Note:- Refer to page 2.02/8 for technical data.



Spool Type Solenoid Valves Series MS-1/4"

Series "MS" 1/4" BSP 3/2, 5/2 & 5/3 Solenoid-Spring & Solenoid-Solenoid spool valves



Mechanical Characteristic

Body	: Aluminium
Orifice	: Ø6.00mm
Ports	: G1/4" BSP Female
Seals	: Nitrile Rubber
Design	: Spool type, internal pilot operated
Weight	: Refer to technical data

Operating Conditions

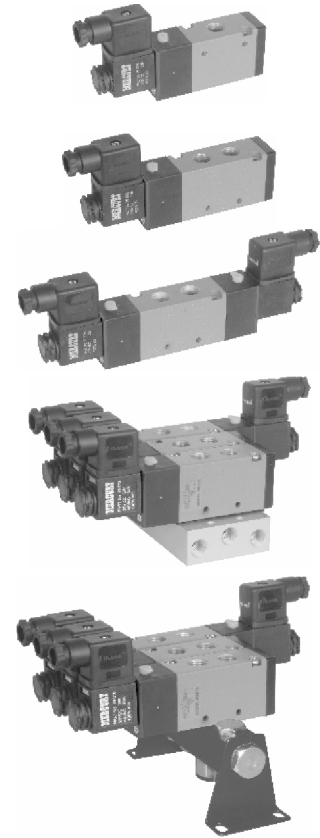
Media	: Air (filtered 40µ & lubricated)
Temperature Range	: +5° to +50°C
Pressure Range	: 2.5 to 9 bar
Leakage	: Bubble Tight
Flow (NLPM) at 5 bar	: 1100 Normal litres per min.

Electrical Conditions

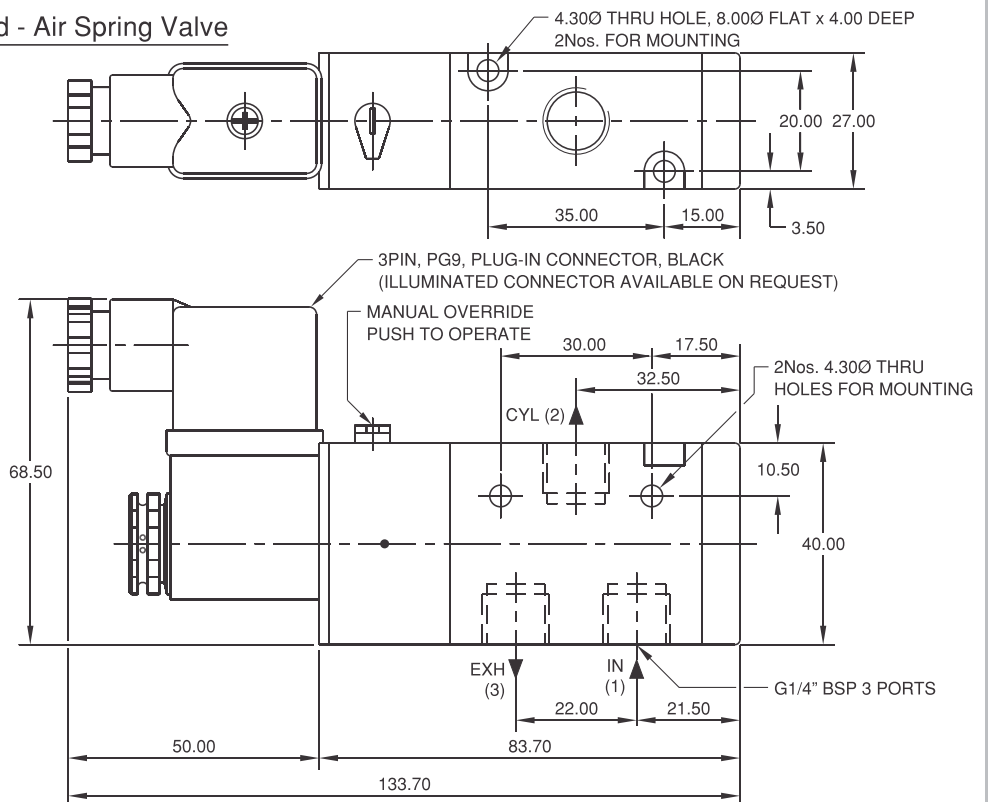
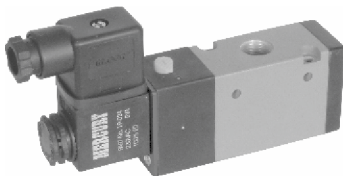
Coil Voltage	: 12 & 24 VDC; 24, 48, 110 & 230 VAC / 50 Hz ±10%
Power	: DC - 3 W; AC - 5 VA Hold, 7.5 VA Pickup
Duty Cycle	: Continuous
Response Time	: 15 msec ON / 25 msec OFF
Protection	: IP 65 (as per DIN 40 050)
Connector	: Black (illuminated on request)

* While ordering specify Coil voltage & type of connector. Add voltage & connector suffix as below to model no.

Connector	230VAC	24VDC
BLACK	A	D
ILLUMINATED	L	P



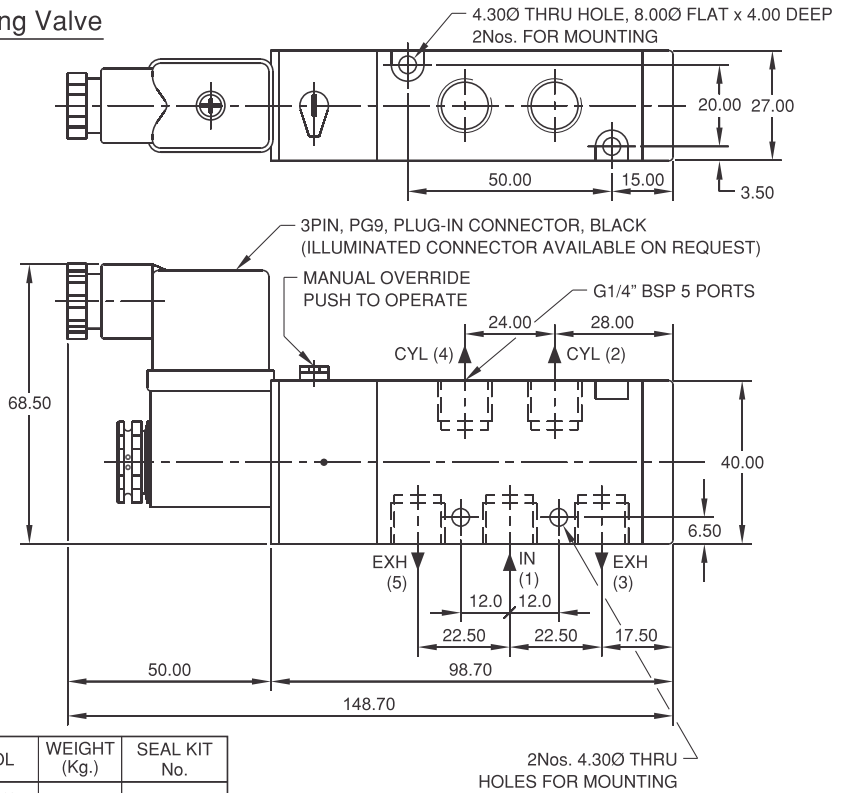
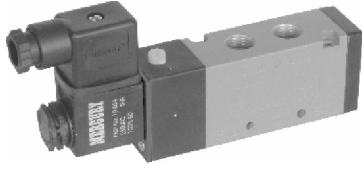
1/4" BSP 3/2 (3 WAY) Solenoid - Air Spring Valve



MODEL No.	DESCRIPTION	SYMBOL	WEIGHT (Kg.)	SEAL KIT No.
MS312*	1/4" 3/2 NORMALLY CLOSED SPOOL TYPE SOLENOID VALVE		0.26	SKMS312

* ADD VOLTAGE & CONNECTOR SUFFIX WHILE ORDERING

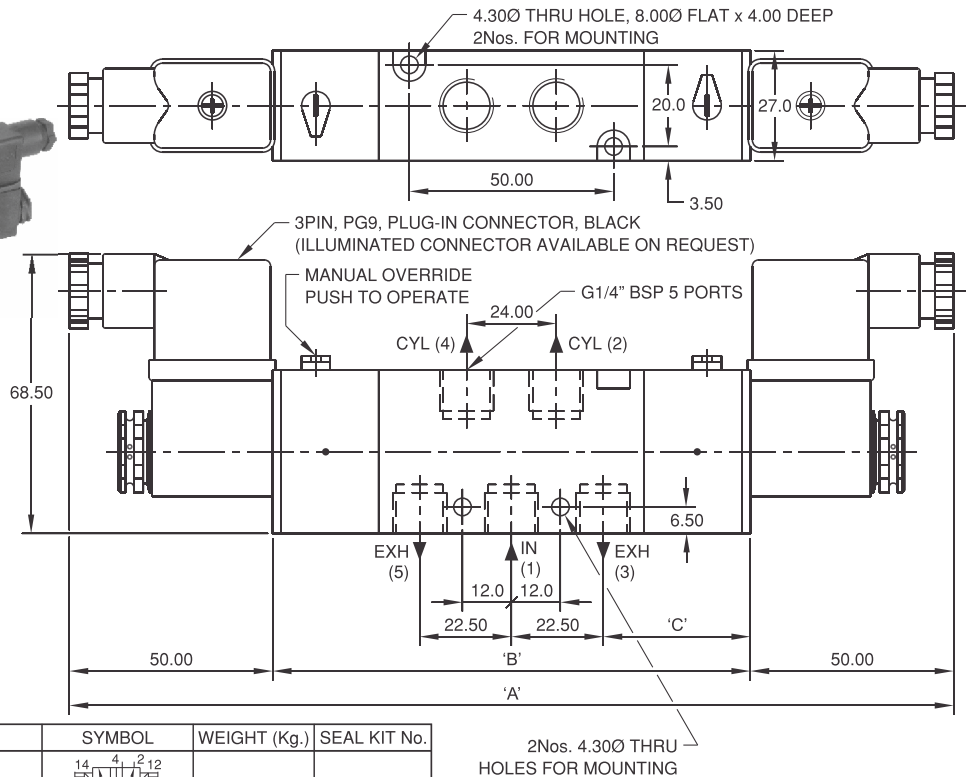
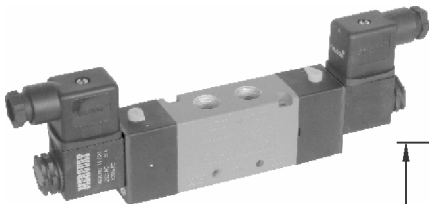
1/4" BSP 5/2 (4 WAY) Solenoid - Air Spring Valve



MODEL No.	DESCRIPTION	SYMBOL	WEIGHT (Kg.)	SEAL KIT No.
MS612*	1/4" 5/2, SPOOL TYPE SOLENOID-SPRING VALVE		0.30	SKMS612

* ADD VOLTAGE & CONNECTOR SUFFIX WHILE ORDERING

1/4" BSP 5/2 (4 WAY 2 POSITION) & 5/3 (4 WAY 3 POSITION) Solenoid - Solenoid Valve



MODEL No.	DESCRIPTION	SYMBOL	WEIGHT (Kg.)	SEAL KIT No.
MS622*	1/4" 5/2, SPOOL TYPE SOLENOID-SOLENOID VALVE		0.40	SKMS622
MS722*	1/4" 5/3 PHN, SPOOL TYPE SOLENOID-SOLENOID VALVE		0.45	SKMS722
MS822*	1/4" 5/3 PAN, SPOOL TYPE SOLENOID-SOLENOID VALVE		0.45	SKMS822
MS922*	1/4" 5/3 PRN, SPOOL TYPE SOLENOID-SOLENOID VALVE		0.45	SKMS922

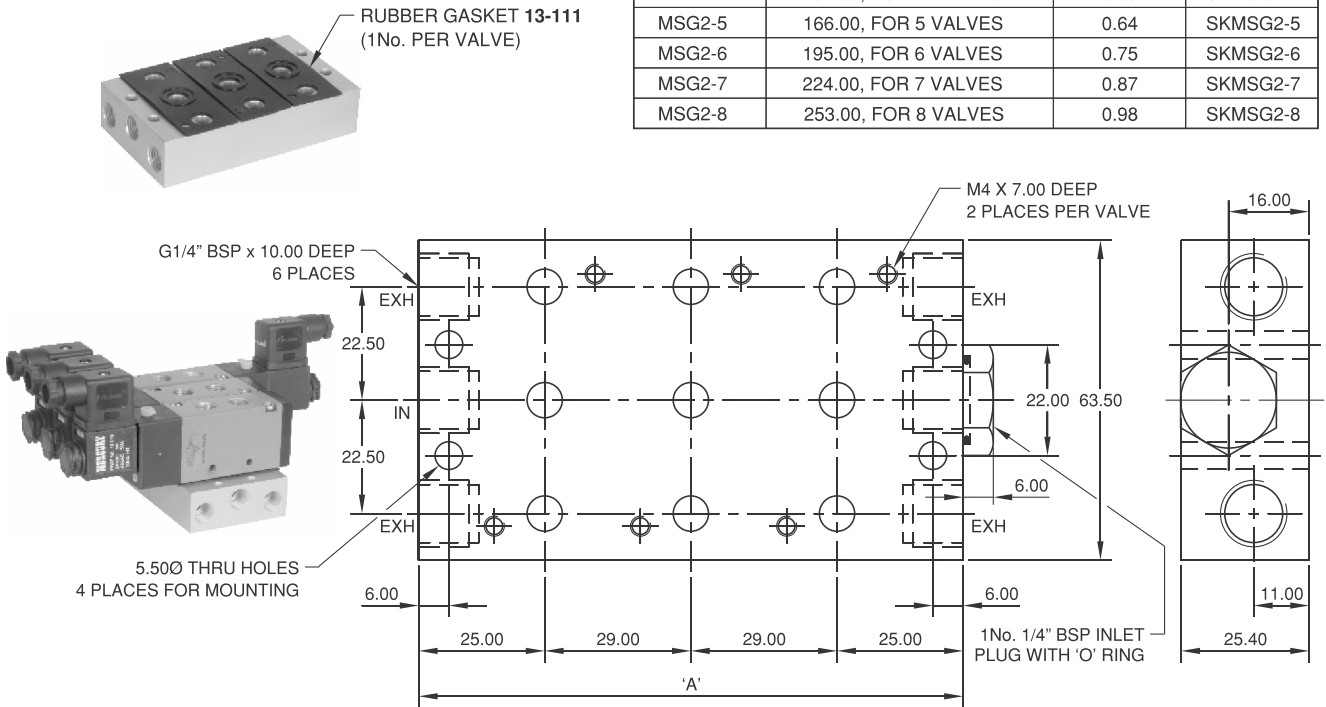
* ADD VOLTAGE & CONNECTOR SUFFIX WHILE ORDERING

MODEL No.	'A'	'B'	'C'
NS622	217.40	117.40	36.20
NS722	236.40	136.40	55.20
NS822	236.40	136.40	55.20
NS922	236.40	136.40	55.20

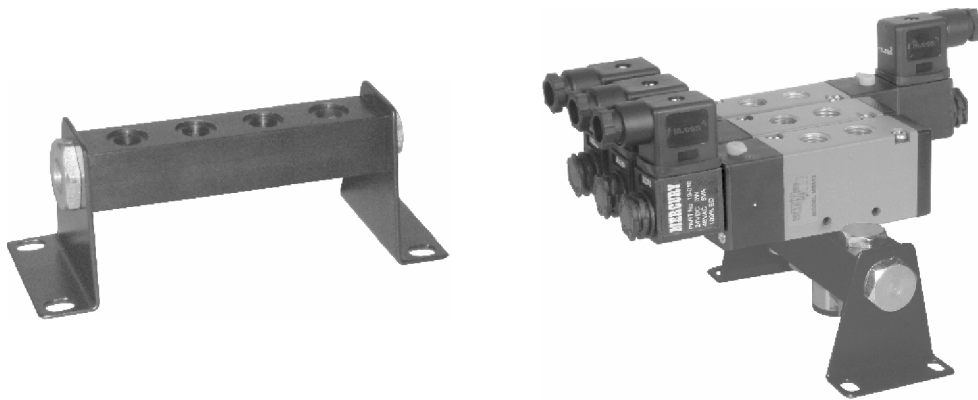
Sub - Base Manifold

Note:- Special gang assemblies as per customer's circuit can be designed and supplied.

MODEL No.	'A'	WEIGHT (Kg.)	SEAL KIT No.
MSG2-2	79.00, FOR 2 VALVES	0.30	SKMSG2-2
MSG2-3	108.00, FOR 3 VALVES	0.41	SKMSG2-3
MSG2-4	137.00, FOR 4 VALVES	0.53	SKMSG2-4
MSG2-5	166.00, FOR 5 VALVES	0.64	SKMSG2-5
MSG2-6	195.00, FOR 6 VALVES	0.75	SKMSG2-6
MSG2-7	224.00, FOR 7 VALVES	0.87	SKMSG2-7
MSG2-8	253.00, FOR 8 VALVES	0.98	SKMSG2-8



Common Supply Manifold



Note:- Refer to page 2.02/16 for technical data.



Spool Type Solenoid Valves Series MS-1/2"

Series "MS" 1/2" BSP 3/2, 5/2 & 5/3 Solenoid-Spring & Solenoid-Solenoid spool valves

MERCURY

Mechanical Characteristic

Body	: Aluminium
Orifice	: Ø12.50mm
Ports	: G1/2" BSP Female
Seals	: Nitrile Rubber
Design	: Spool type, internal pilot operated
Weight	: Refer to technical data

Operating Conditions

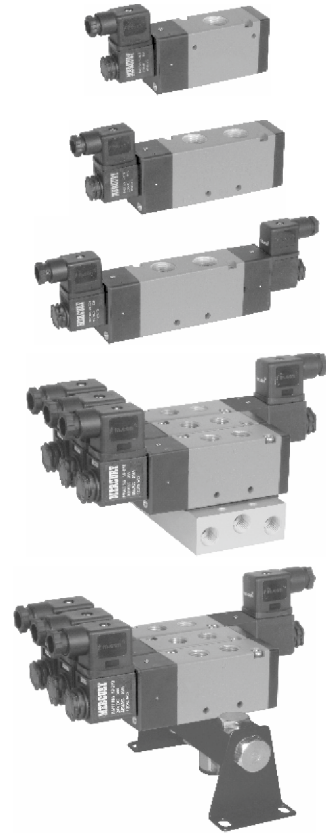
Media	: Air (filtered 40µ & lubricated)
Temperature Range	: +5° to +50°C
Pressure Range	: 2.5 to 10 bar
Leakage	: Bubble Tight
Flow (NLPM) at 5 bar	: 3000 Normal litres per min.

Electrical Conditions

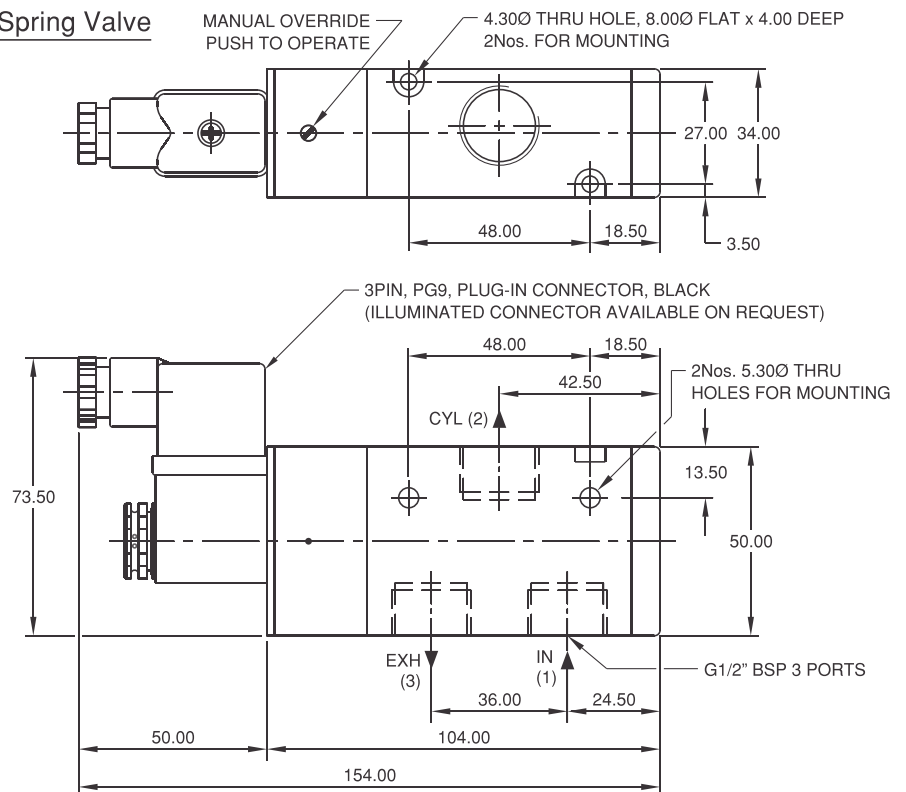
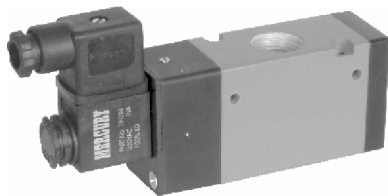
Coil Voltage	: 12 & 24 VDC; 24, 48, 110 & 230 VAC / 50 Hz ±10%
Power	: DC - 3 W; AC - 5 VA Hold, 7.5 VA Pickup
Duty Cycle	: Continuous
Response Time	: 15 msec ON / 25 msec OFF
Protection	: IP 65 (as per DIN 40 050)
Connector	: Black (illuminated on request)

* While ordering specify Coil voltage & type of connector. Add voltage & connector suffix as below to model no.

Connector	230VAC	24VDC
BLACK	A	D
ILLUMINATED	L	P



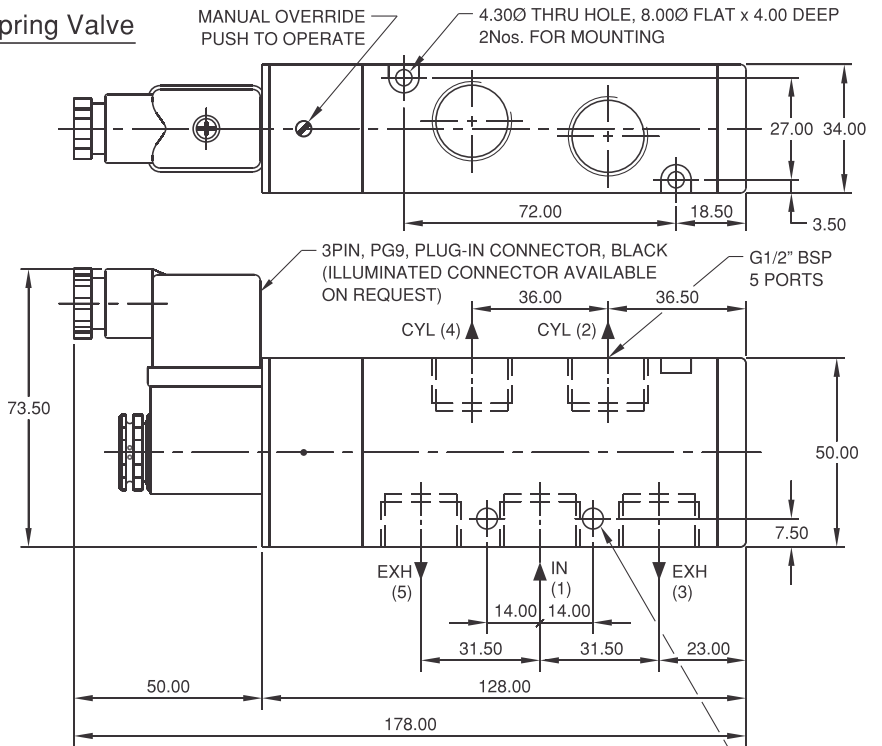
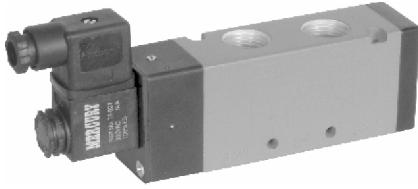
1/2" BSP 3/2 (3 WAY) Solenoid - Air Spring Valve



MODEL No.	DESCRIPTION	SYMBOL	WEIGHT (Kg.)	SEAL KIT No.
MS314*	1/2" 3/2 NORMALLY CLOSED SPOOL TYPE SOLENOID VALVE		0.42	SKMS314

* ADD VOLTAGE & CONNECTOR SUFFIX WHILE ORDERING

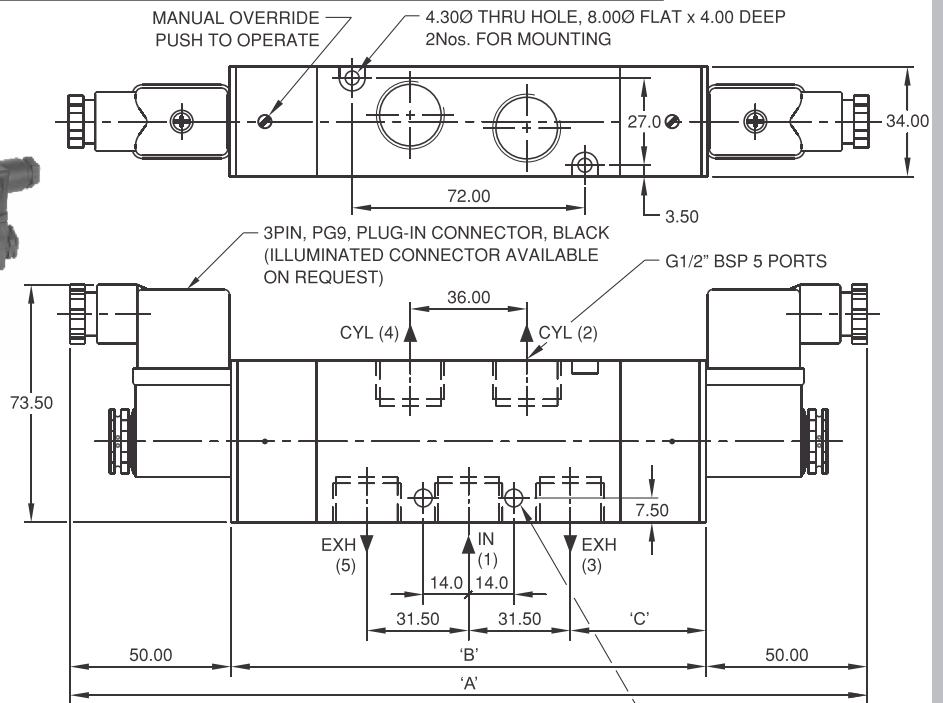
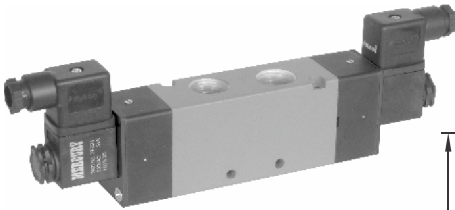
1/2" BSP 5/2 (4 WAY) Solenoid - Air Spring Valve



MODEL No.	DESCRIPTION	SYMBOL	WEIGHT (Kg.)	SEAL KIT No.
MS614*	1/2" 5/2, SPOOL TYPE SOLENOID-SPRING VALVE		0.51	SKMS614

* ADD VOLTAGE & CONNECTOR SUFFIX WHILE ORDERING

1/2" BSP 5/2 (4 WAY 2 POSITION) & 5/3 (4 WAY 3 POSITION) Solenoid - Solenoid Valve



MODEL No.	DESCRIPTION	SYMBOL	WEIGHT (Kg.)	SEAL KIT No.
MS624*	1/2" 5/2, SPOOL TYPE SOLENOID-SOLENOID VALVE		0.63	SKMS624
MS724*	1/2" 5/3 PHN, SPOOL TYPE SOLENOID-SOLENOID VALVE		0.73	SKMS724
MS824*	1/2" 5/3 PAN, SPOOL TYPE SOLENOID-SOLENOID VALVE		0.73	SKMS824
MS924*	1/2" 5/3 PRN, SPOOL TYPE SOLENOID-SOLENOID VALVE		0.73	SKMS924

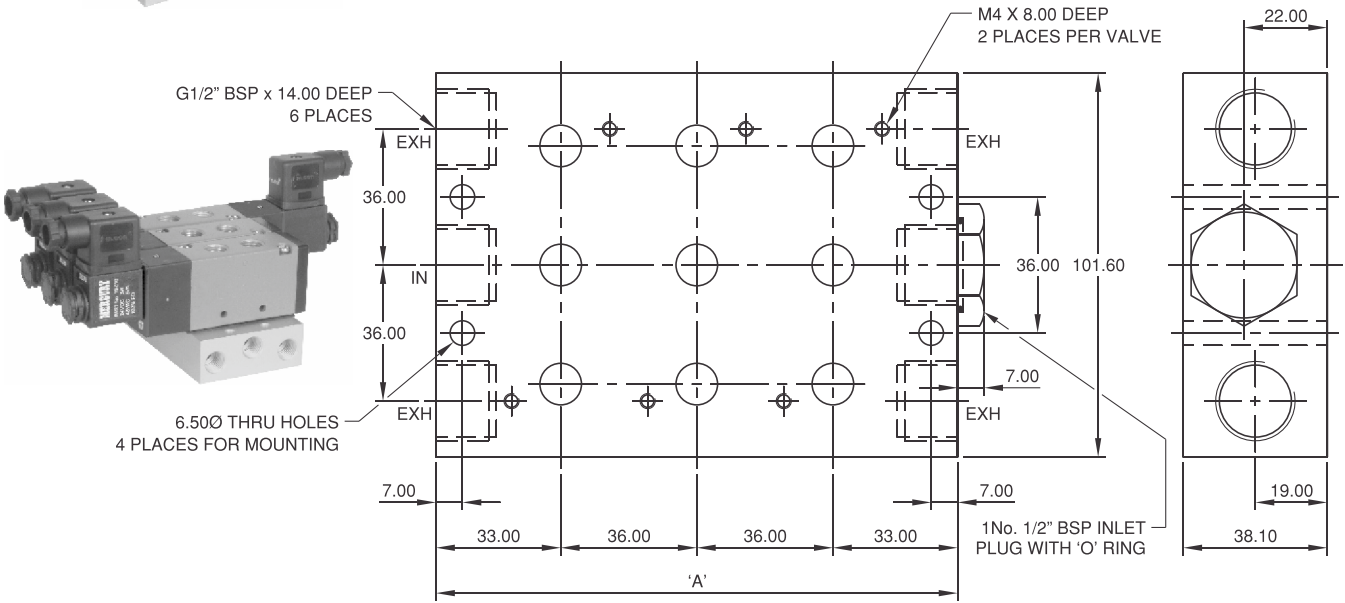
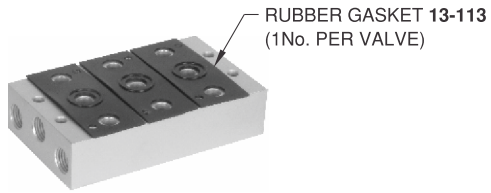
MODEL No.	'A'	'B'	'C'
NS624	247.00	147.00	42.00
NS724	269.00	169.00	64.00
NS824	269.00	169.00	64.00
NS924	269.00	169.00	64.00

* ADD VOLTAGE & CONNECTOR SUFFIX WHILE ORDERING

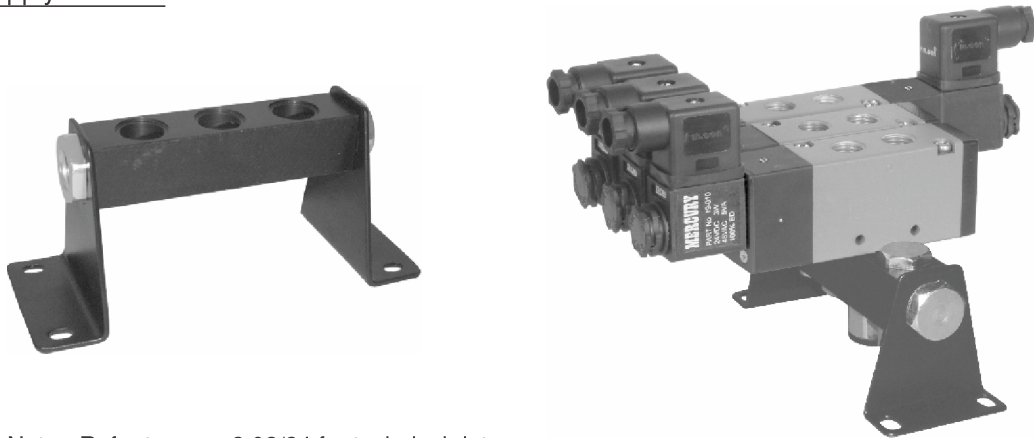
Sub - Base Manifold

Note:- Special gang assemblies as per customer's circuit can be designed and supplied.

MODEL No.	'A'	WEIGHT (Kg.)	SEAL KIT No.
MSG4-2	102.00, FOR 2 VALVES	0.90	SKMSG4-2
MSG4-3	138.00, FOR 3 VALVES	1.24	SKMSG4-3
MSG4-4	174.00, FOR 4 VALVES	1.57	SKMSG4-4
MSG4-5	210.00, FOR 5 VALVES	1.91	SKMSG4-5
MSG4-6	246.00, FOR 6 VALVES	2.24	SKMSG4-6
MSG4-7	282.00, FOR 7 VALVES	2.58	SKMSG4-7
MSG4-8	318.00, FOR 8 VALVES	2.91	SKMSG4-8



Common Supply Manifold



Note:- Refer to page 2.02/24 for technical data.