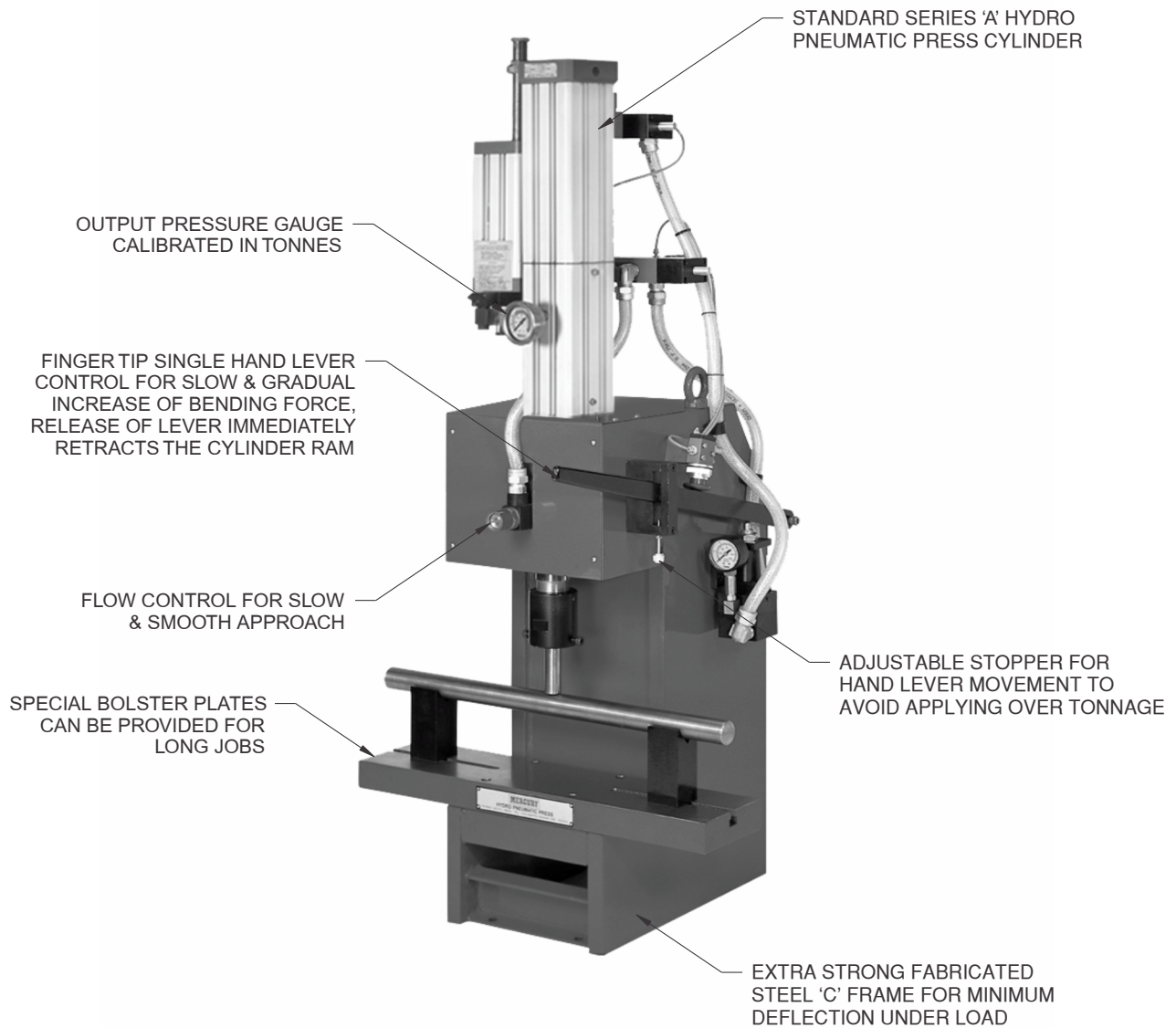
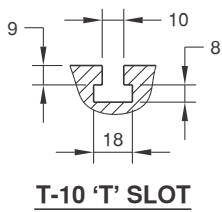
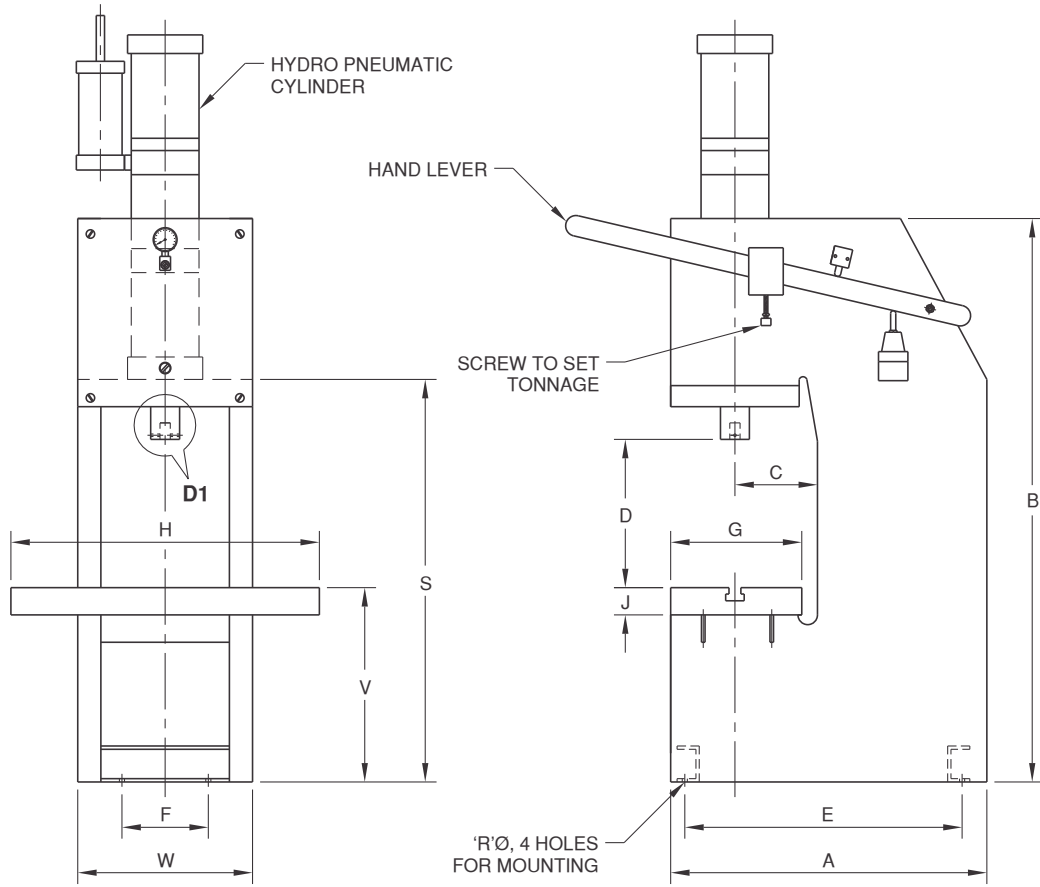




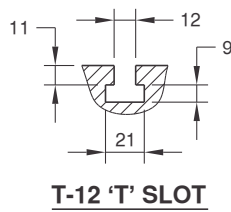
The cost effective and efficient machine to straighten shafts



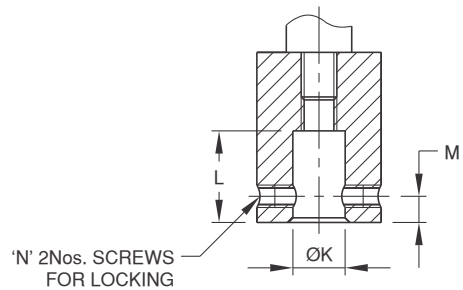
Technical Specifications



T-10 'T' SLOT



T-12 'T' SLOT



DETAIL D1

| MODEL No. | TON | A | B | C | D | E | F | G | H | J | K | L | M | N | ØR | S | T | V | W |
|-----------|-----|-----|------|-----|-----|-----|-----|-----|------|----|----|----|----|-----|----|-----|----|-----|-----|
| 4C02ST | 2 | 340 | 660 | 75 | 150 | 275 | 85 | 130 | 400 | 38 | 20 | 25 | 10 | M6 | 13 | 460 | 10 | 239 | 180 |
| 4C04ST | 4 | 500 | 890 | 100 | 300 | 430 | 120 | 180 | 600 | 43 | 25 | 30 | 10 | M8 | 13 | 664 | 10 | 269 | 225 |
| 4C08ST | 8 | 500 | 984 | 85 | 300 | 435 | 150 | 150 | 600 | 53 | 25 | 40 | 10 | M8 | 13 | 715 | 12 | 322 | 296 |
| * 4C15ST | 15 | 545 | 875 | 100 | 300 | 475 | 240 | 190 | 650 | 62 | 30 | 60 | 10 | M8 | 17 | 680 | 12 | 262 | 304 |
| * 4C30ST | 30 | 570 | 1187 | 125 | 350 | 500 | 175 | 220 | 1000 | 72 | 40 | 80 | 12 | M10 | 17 | 877 | 12 | 382 | 340 |

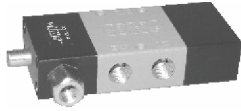
* Available only with series N Hydro Pneumatic Cylinder



Spare Parts for 'S' Series Shaft Straightening Press

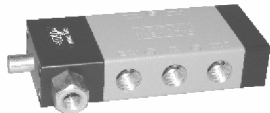


POWER STROKE 3/2 VALVE



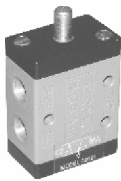
| PART No. | DESCRIPTION | SEAL KIT No. |
|----------|---|--------------|
| S382 | 1/4 3/2 N.C. PILOT-SPRING VALVE FOR 2T & 4T PRESSES | SKS382 |
| S384 | 1/2 3/2 N.C. PILOT-SPRING VALVE FOR 8T, 15T & 30T PRESSES | SKS384 |

RAPID APPROACH 5/2 VALVE



| PART No. | DESCRIPTION | SEAL KIT No. |
|----------|---|--------------|
| S682 | 1/4" 5/2 PILOT-SPRING VALVE FOR 2T & 4T PRESSES | SKS682 |
| S684 | 1/2" 5/2 PILOT-SPRING VALVE FOR 8T, 15T & 30T PRESSES | SKS684 |

3/2 PLUNGER VALVE



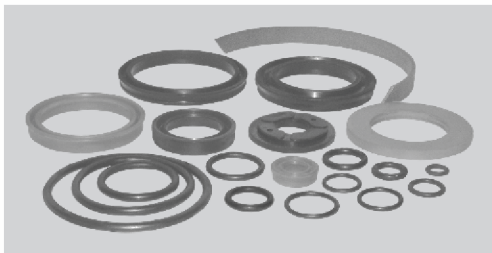
| PART No. | DESCRIPTION | SEAL KIT No. |
|----------|---|--------------|
| S3121 | 1/8" 3/2 NORMALLY CLOSED PLUNGER-SPRING VALVE | SKS3121 |

PLUNGER OPERATED REGULATOR



| PART No. | DESCRIPTION | SEAL KIT No. |
|----------|--|--------------|
| RGS2 | 1/4" REGULATOR FOR SHAFT STRAIGHTENING PRESS | SKRGS2 |
| RGS4 | 1/2" REGULATOR FOR SHAFT STRAIGHTENING PRESS | SKRGS4 |

SPARE SEAL KIT



| PART No. | DESCRIPTION |
|----------|---|
| 90-048 | SEAL KIT FOR PRESS CYLINDER MODEL No. N021 & N024 |
| 90-049 | SEAL KIT FOR PRESS CYLINDER MODEL No. N041 & N044 |
| 90-050 | SEAL KIT FOR PRESS CYLINDER MODEL No. N081 & N084 |
| 90-051 | SEAL KIT FOR PRESS CYLINDER MODEL No. N151 & N154 |
| 90-052 | SEAL KIT FOR PRESS CYLINDER MODEL No. N301 & N304 |

POWER STROKE CHANGE OVER FLOW CONTROL VALVE



| PART No. | DESCRIPTION | SEAL KIT No. |
|----------|----------------------------------|--------------|
| F1 | 1/8" STRAIGHT FLOW CONTROL VALVE | SKF1 |

TONNAGE GAUGE



| PART No. | DESCRIPTION |
|------------|------------------------------|
| 20-1328-2T | FOR 2T 'A' SERIES CYLINDERS |
| 20-1324-4T | FOR 4T 'A' SERIES CYLINDERS |
| 20-955-8T | FOR 8T 'A' SERIES CYLINDERS |
| 88-009-15T | FOR 15T 'N' SERIES CYLINDERS |
| 88-009-30T | FOR 30T 'N' SERIES CYLINDERS |