



## Air Filter, Regulator & Lubricator



Series 'S'- 1/4" BSP



Series 'M'- 1/2" BSP



Series 'M'- 3/4" & 1" BSP

- Streamlined modular construction
- Easy to dismantle & service
- Leak proof 'O' Ring joints between units
- 40 $\mu$ m filter as standard, 5 $\mu$ m optional
- Regulator knob "Push to Lock" design
- Low rate spring and fine pitch threads ensures fine and smooth regulation of air pressure.
- Semi Automatic drain on filter bowl
- Fine pitch, small taper fine adjustment screw on lubricator ensures good control over oil flow setting.

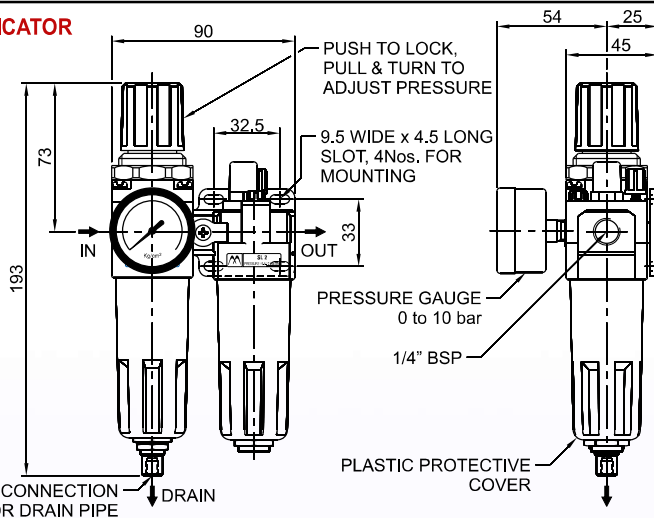
## Mercury Pneumatics Pvt. Ltd.

C-105, Ansa Industrial Estate, Saki Vihar Rd, Andheri (E), Mumbai - 400072. India.  
Ph.: +91-22-40344200

E-mail: [mercurypneumatics@vsnl.net](mailto:mercurypneumatics@vsnl.net) Website: [www.mercuryindia.net](http://www.mercuryindia.net)

# Series 'S' 1/4" FRL

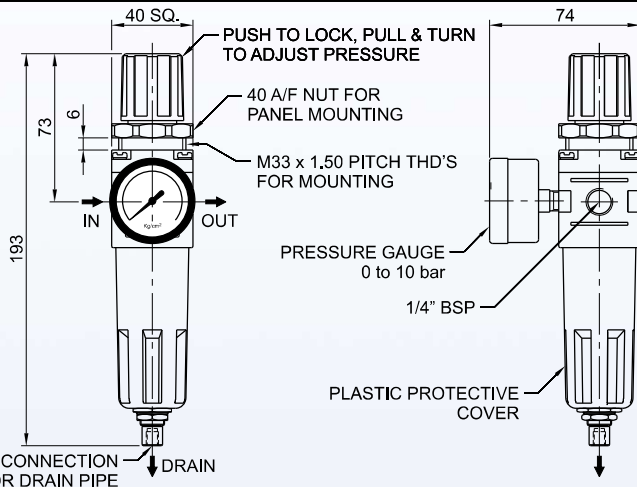
## FILTER REGULATOR + LUBRICATOR



### MODEL :- SFR+L 02

Port	1/4" BSP
Pressure Range	0.5 ~ 10 kgf/sq.cm
Temperature	+5° to 50° C
Filtering Density	25 $\mu$ m
Fluid	Air
Max. Flow Rate	1200 lit/min. (NLPM)
Recommended Oil	ISO-VG32
Pressure Gauge Port	1/8" BSP
Bowl Material	Polycarbonate
Protective Cover	Plastic
Weight	0.56 kg.

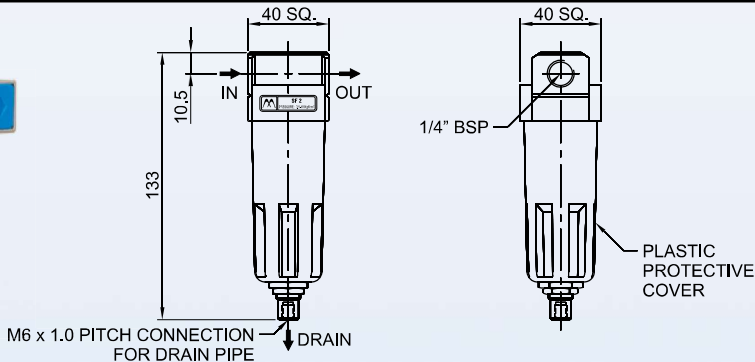
## FILTER REGULATOR



### MODEL :- SFR 02

Port	1/4" BSP
Pressure Range	0.5 ~ 10 kgf/sq.cm
Temperature	+5° to 50° C
Filtering Density	25 $\mu$ m
Fluid	Air
Max. Flow Rate	1200 lit/min. (NLPM)
Pressure Gauge Port	1/8" BSP
Bowl Material	Polycarbonate
Protective Cover	Plastic
Weight	0.35 kg.

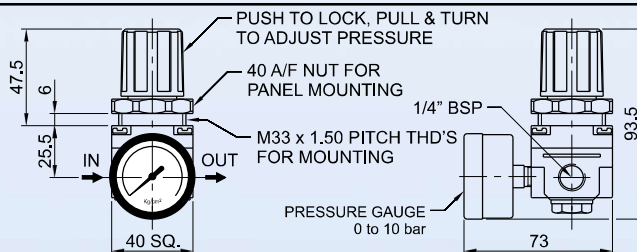
## FILTER



### MODEL :- SF 02

Port	1/4" BSP
Pressure Range	0.5 ~ 10 kgf/sq.cm
Temperature	+5° to 50° C
Filtering Density	25 $\mu$ m
Fluid	Air
Max. Flow Rate	1200 lit/min. (NLPM)
Bowl Material	Polycarbonate
Protective Cover	Plastic
Weight	0.17 kg.

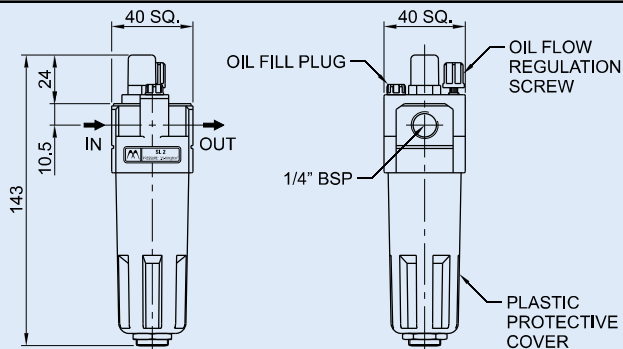
## REGULATOR



### MODEL :- SR 02

Port	1/4" BSP
Pressure Range	0.5 ~ 10 kgf/sq.cm
Temperature	+5° to 50° C
Fluid	Air
Pressure Gauge Port	1/8" BSP
Max. Flow Rate	1200 lit/min. (NLPM)
Weight	0.23 kg.

## LUBRICATOR

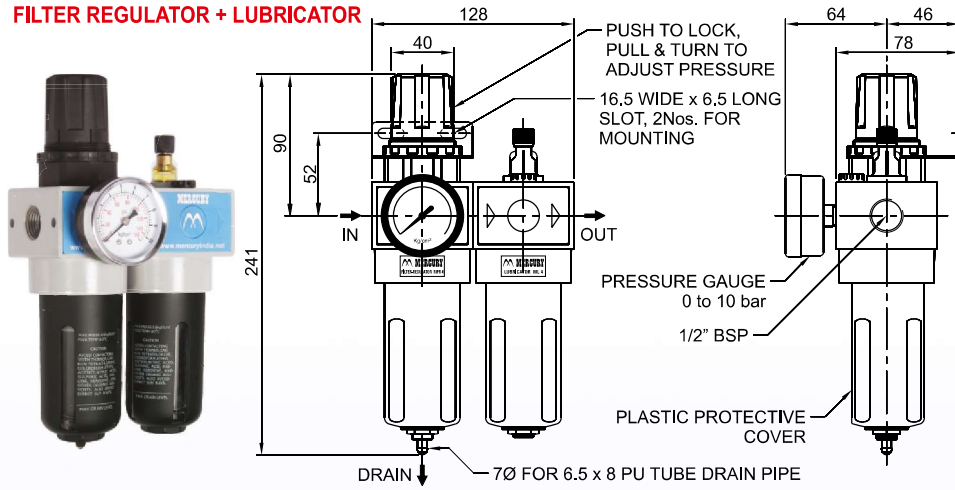


### MODEL :- SL 02

Port	1/4" BSP
Pressure Range	0.5 ~ 10 kgf/sq.cm
Temperature	+5° to 50° C
Fluid	Air
Lubricant	ISO-VG32
Max. Flow Rate	1200 lit/min. (NLPM)
Min. Oil Drop Flow	15 lit/min.
Bowl Material	Polycarbonate
Protective Cover	Plastic
Weight	0.16 kg.

## Series 'M' 1/2" FRL

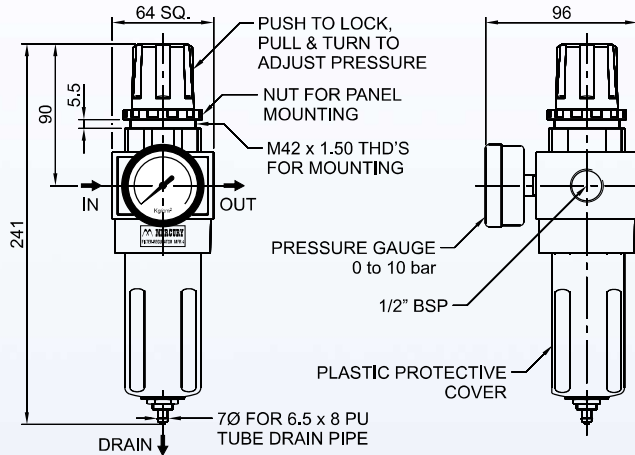
### FILTER REGULATOR + LUBRICATOR



#### MODEL :- MFR+L 04

Port	1/2" BSP
Pressure Range	0.5 ~ 10 kgf/sq.cm
Temperature	+5 to 60° C
Filtering Density	40 $\mu$ m
Fluid	Air
Max. Flow Rate	2100 lit/min.(NLPM)
Recommended Oil	ISO-VG32
Pressure Gauge Port	1/4" BSP
Bowl Material	Polycarbonate
Protective Cover	Plastic
Weight	1.20 kg.

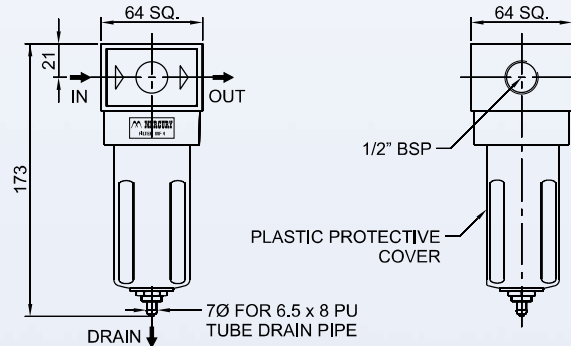
### FILTER REGULATOR



#### MODEL :- MFR 04

Port	1/2" BSP
Pressure Range	0.5 ~ 10 kgf/sq.cm
Temperature	+5 to 60° C
Filtering Density	40 $\mu$ m
Fluid	Air
Max. Flow Rate	2100 lit/min.(NLPM)
Pressure Gauge Port	1/4" BSP
Bowl Material	Polycarbonate
Protective Cover	Plastic
Weight	0.70 kg.

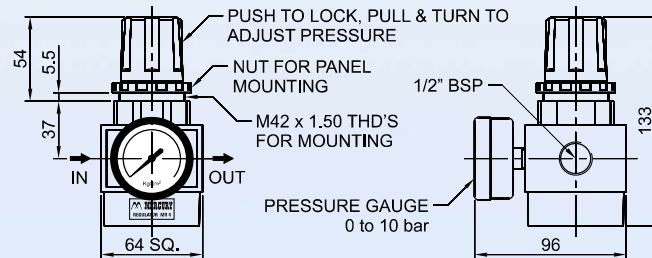
### FILTER



#### MODEL :- MF 04

Port	1/2" BSP
Pressure Range	0.5 ~ 10 kgf/sq.cm
Temperature	+5 to 60° C
Filtering Density	40 $\mu$ m
Fluid	Air
Max. Flow Rate	2100 lit/min.(NLPM)
Bowl Material	Polycarbonate
Protective Cover	Plastic
Weight	0.45 kg.

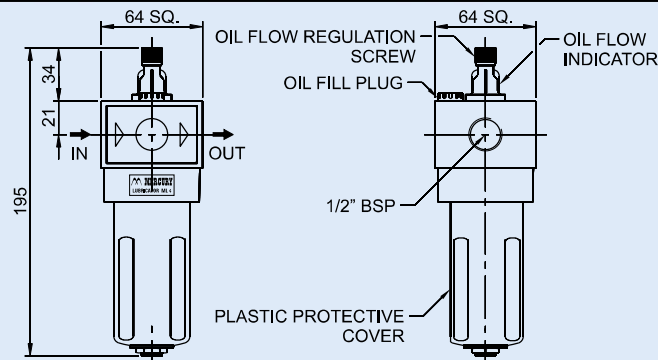
### REGULATOR



#### MODEL :- MR 04

Port	1/2" BSP
Pressure Range	0.5 ~ 10 kgf/sq.cm
Temperature	+5 to 60° C
Fluid	Air
Pressure Gauge Port	1/4" BSP
Max. Flow Rate	2100 lit/min.(NLPM)
Weight	0.62 kg.

### LUBRICATOR

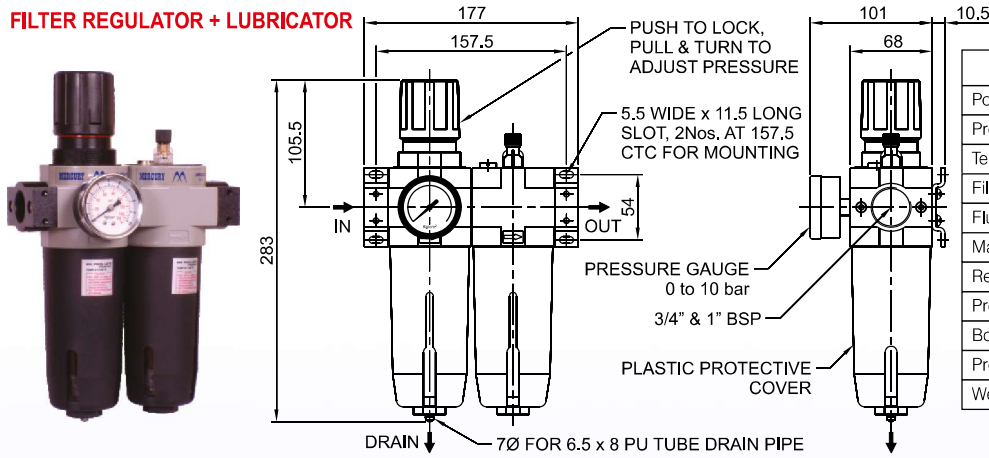


#### MODEL :- ML 04

Port	1/2" BSP
Pressure Range	0.5 ~ 10 kgf/sq.cm
Temperature	+5 to 60° C
Fluid	Air
Lubricant	ISO-VG32
Max. Flow Rate	2100 lit/min.(NLPM)
Min. Oil Drop Flow	15 lit/min.
Bowl Material	Polycarbonate
Protective Cover	Plastic
Weight	0.45 kg.

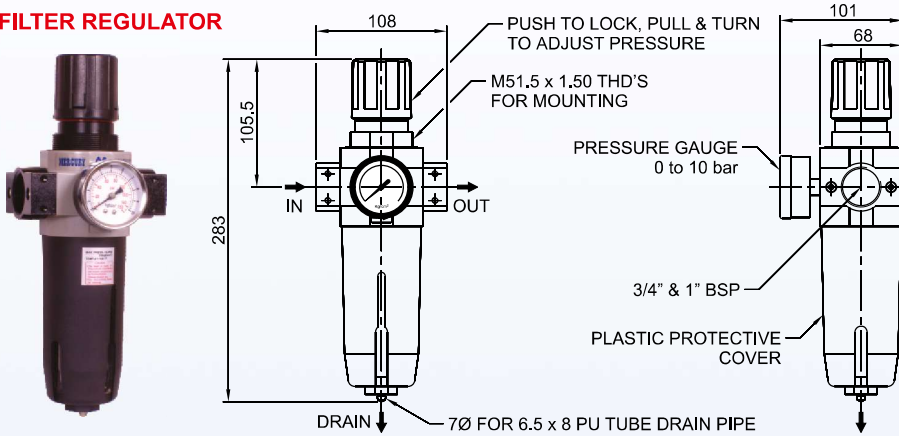
## Series 'M' 3/4" & 1" FRL

### FILTER REGULATOR + LUBRICATOR



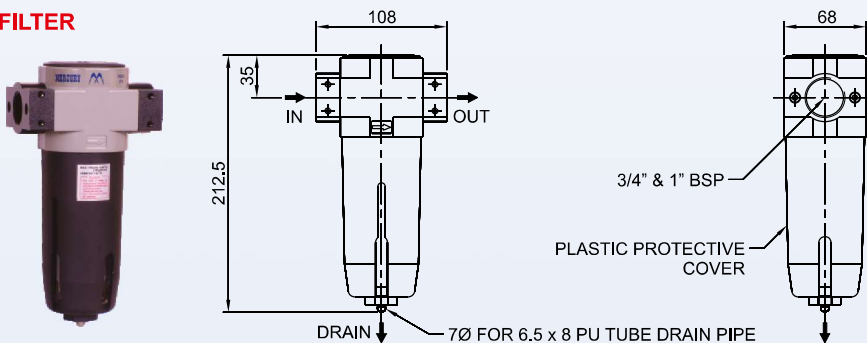
MODEL	MFR+L 06	MFR+L 08
Port	3/4" BSP	1" BSP
Pressure Range	0.5 ~ 10 kgf/sq.cm	
Temperature	+5 to 60° C	
Filtering Density	5 μm	
Fluid	Air	
Max. Flow Rate	8000 lit/min.(NLPM)	
Recommended Oil	ISO-VG32	
Pressure Gauge Port	1/4" BSP	
Bowl Material	Polycarbonate	
Protective Cover	Plastic	
Weight	1.98 kg.	1.95 kg.

### FILTER REGULATOR



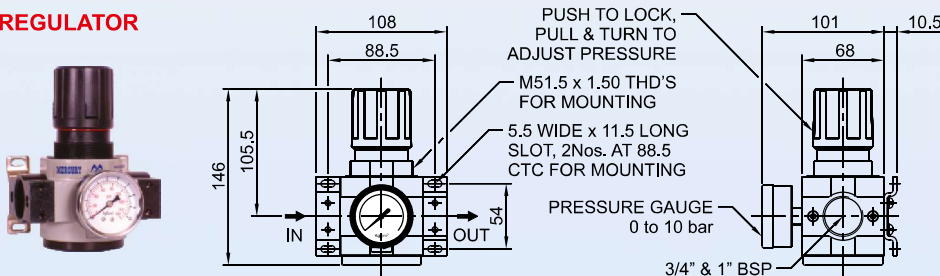
MODEL	MFR 06	MFR 08
Port	3/4" BSP	1" BSP
Pressure Range	0.5 ~ 10 kgf/sq.cm	
Temperature	+5 to 60° C	
Filtering Density	5 μm	
Fluid	Air	
Max. Flow Rate	8000 lit/min.(NLPM)	
Pressure Gauge Port	1/4" BSP	
Bowl Material	Polycarbonate	
Protective Cover	Plastic	
Weight	1.30 kg.	1.27 kg.

### FILTER



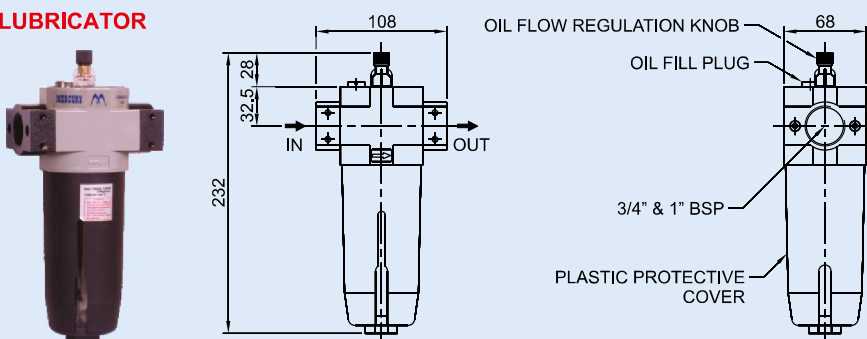
MODEL	MF 06	MF 08
Port	3/4" BSP	1" BSP
Pressure Range	0.5 ~ 10 kgf/sq.cm	
Temperature	+5 to 60° C	
Filtering Density	5 μm	
Fluid	Air	
Max. Flow Rate	8000 lit/min.(NLPM)	
Bowl Material	Polycarbonate	
Protective Cover	Plastic	
Weight	0.80 kg.	0.78 kg.

### REGULATOR



MODEL	MR 06	MR 08
Port	3/4" BSP	1" BSP
Pressure Range	0.5 ~ 10 kgf/sq.cm	
Temperature	+5 to 60° C	
Fluid	Air	
Pressure Gauge Port	1/4" BSP	
Max. Flow Rate	8000 lit/min.(NLPM)	
Weight	1.05 kg.	1.03 kg.

### LUBRICATOR



MODEL	ML 06	ML 08
Port	3/4" BSP	1" BSP
Pressure Range	0.5 ~ 10 kgf/sq.cm	
Temperature	+5 to 60° C	
Fluid	Air	
Lubricant	ISO-VG32	
Max. Flow Rate	8000 lit/min.(NLPM)	
Min. Oil Drop Flow	15 lit/min.	
Bowl Material	Polycarbonate	
Protective Cover	Plastic	
Weight	0.84 kg.	0.82 kg.