



## Special Valves for "Pet Moulding"

1/2" BSP 3/2 Single and Dual Pressure Blow Solenoid Valves

# MERCURY

### Mechanical Characteristic

Body	Aluminium
Orifice	Ø13.00mm
Ports	G1/2" BSP Female
Seals	NBR / PU
Design	Poppet type, external pilot operated
Weight	Refer to technical data

### Operating Conditions

Media	: Air (filtered 40µ & lubricated)
Temperature Range	: +5° to +50°C
Mainline Pressure Range	: 3 to 20 bar
External Pilot Pressure Range	: 5 to 9 bars
Flow (NLPM) at 5 bar	: 3600 Normal litres per min.

### Electrical Conditions

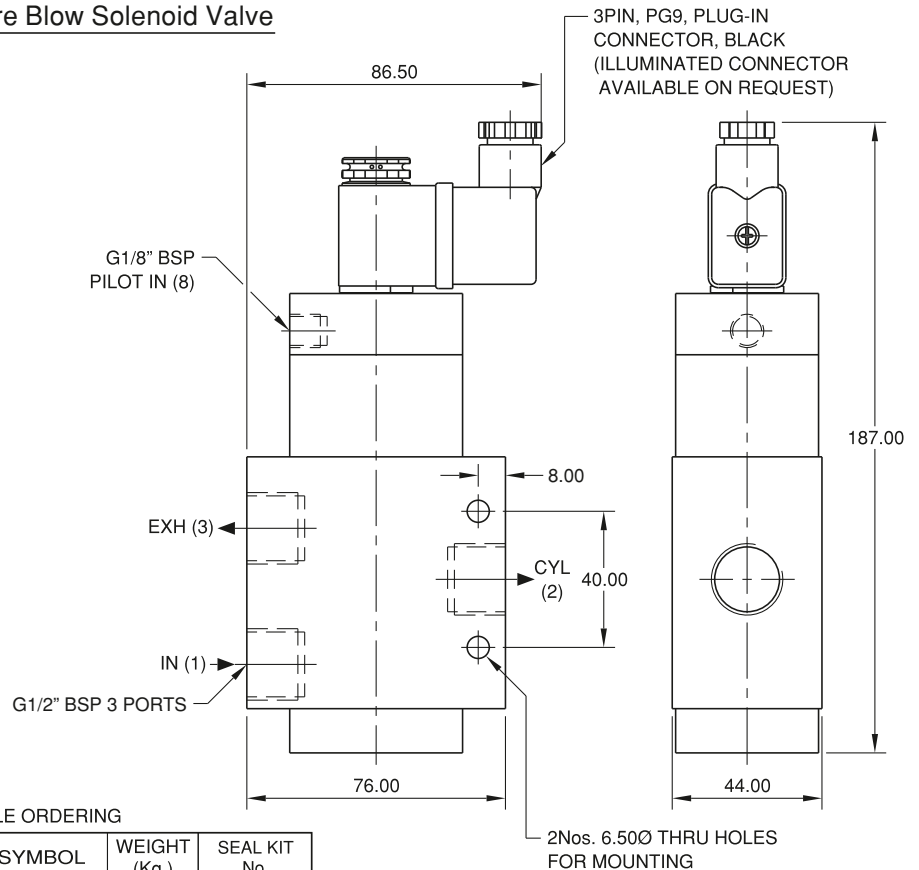
Coil Voltage	: 12 & 24 VDC; 24, 48, 110 & 230 VAC / 50 Hz ±10%
Power	: DC - 3 W; AC - 5 VA Hold, 7.5 VA Pickup
Duty Cycle	: Continuous
Response Time	: 15 msec ON / 25 msec OFF
Protection	: IP 65 (as per DIN 40 050)
Connector	: Black (illuminated on request)

\* While ordering specify Coil voltage & type of connector. Add voltage & connector suffix as below to model no.

Connector	230VAC	24VAC	12VAC	24VDC	12VDC	110VAC	48VAC
BLACK	A	B	C	D	E	F	G
ILLUMINATED	L	M	N	P	Q	R	S



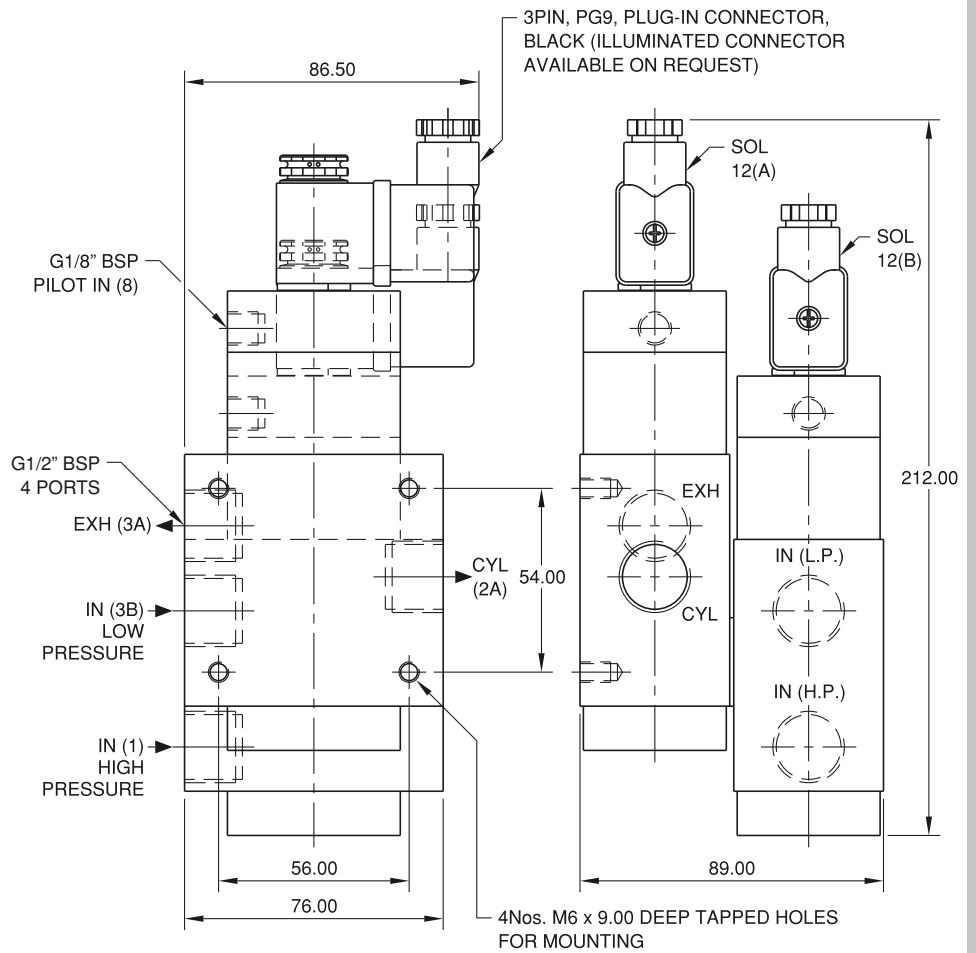
### 1/2" BSP 3/2 ( 3 WAY) High Pressure Blow Solenoid Valve



\* ADD VOLTAGE & CONNECTOR SUFFIX WHILE ORDERING

MODEL No.	DESCRIPTION	SYMBOL	WEIGHT (Kg.)	SEAL KIT No.
NP314H*	1/2" BSP 3/2 HIGH PRESSURE BLOW SOLENOID VALVE		1.05	SKNP314H

**1/2" BSP 3/2 ( 3 WAY) Dual Pressure Blow Solenoid Valve**



\* ADD VOLTAGE & CONNECTOR SUFFIX WHILE ORDERING

MODEL No.	DESCRIPTION	SYMBOL	WEIGHT (Kg.)	SEAL KIT No.
NP314D*	1/2" BSP 3/2 DUAL PRESSURE BLOW SOLENOID VALVE	<p>Low Pressure</p> <p>High Pressure</p>	2.16	SKNP314D

**SEQUENCE OF OPERATION**

- 1) SOL 12A 'ON' : Low Pressure (3B) is connected to outlet (Cyl 2A) (Low Pressure pre-blow)
- 2) SOL 12A + SOL 12B 'ON' : High Pressure is connected to outlet (Cyl 2A) (High Pressure blow)
- 3) Both SOL 'OFF' : Outlet (Cyl 2A) connected to Exh (3A) (Exhausting)



## Special Valves for "Pet Moulding"

1/2" BSP 3/2 Single and Dual Pressure Blow Solenoid Valves  
High Pressure Series with Polymer Poppet

# MERCURY

### Mechanical Characteristic

Body	Aluminium, Hard Anodized
Orifice	Ø13.00mm
Ports	G1/2" BSP Female
Seals	NBR / Polymer
Design	Poppet type, external pilot operated
Weight	Refer to technical data

### Operating Conditions

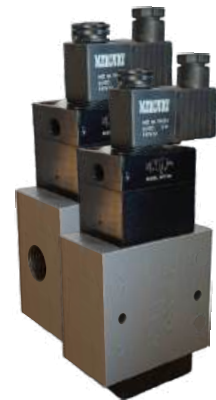
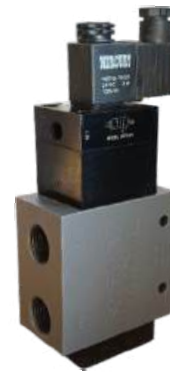
Media	: Air (filtered 40µ & lubricated)
Temperature Range	: +5° to +50°C
Mainline Pressure Range	: 3 to 30 bar
External Pilot Pressure Range	: 5 to 9 bars
Flow (NLPM) at 5 bar	: 3600 NLPM

### Electrical Conditions

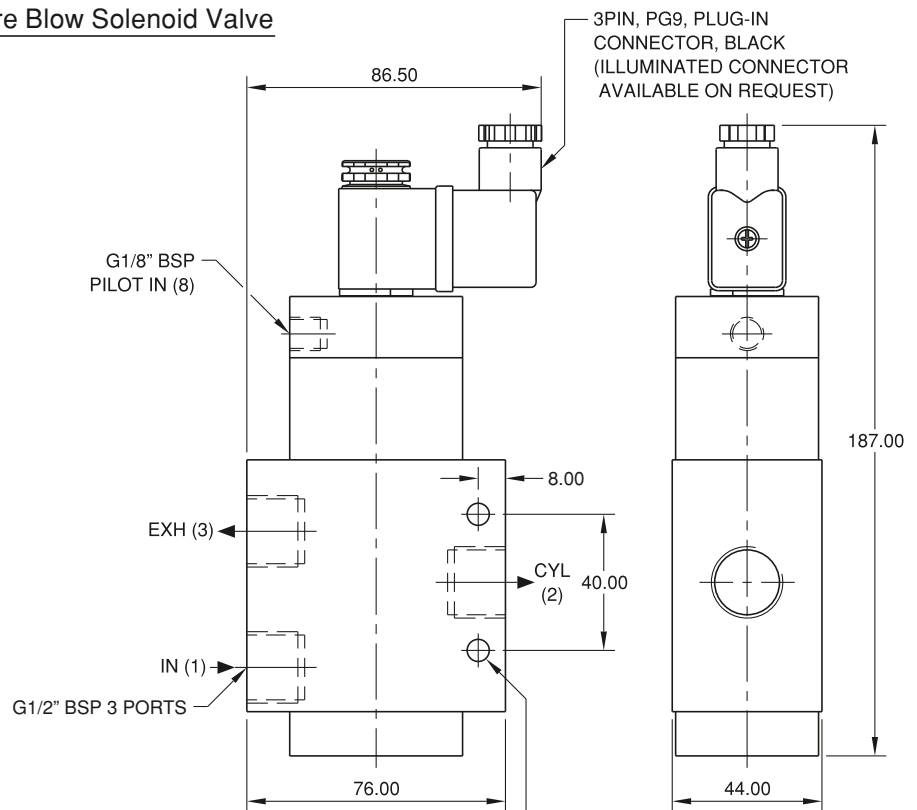
Coil Voltage	: 12 & 24 VDC; 24, 48, 110 & 230 VAC / 50 Hz ±10%
Power	: DC - 3 W; AC - 5 VA Hold, 7.5 VA Pickup
Duty Cycle	: Continuous
Response Time	: 15 msec ON / 25 msec OFF
Protection	: IP 65 (as per DIN 40 050)
Connector	: Black (illuminated on request)

\* While ordering specify Coil voltage & type of connector. Add voltage & connector suffix as below to model no.

Connector	230VAC	24VAC	12VAC	24VDC	12VDC	110VAC	48VAC
BLACK	A	B	C	D	E	F	G
ILLUMINATED	L	M	N	P	Q	R	S



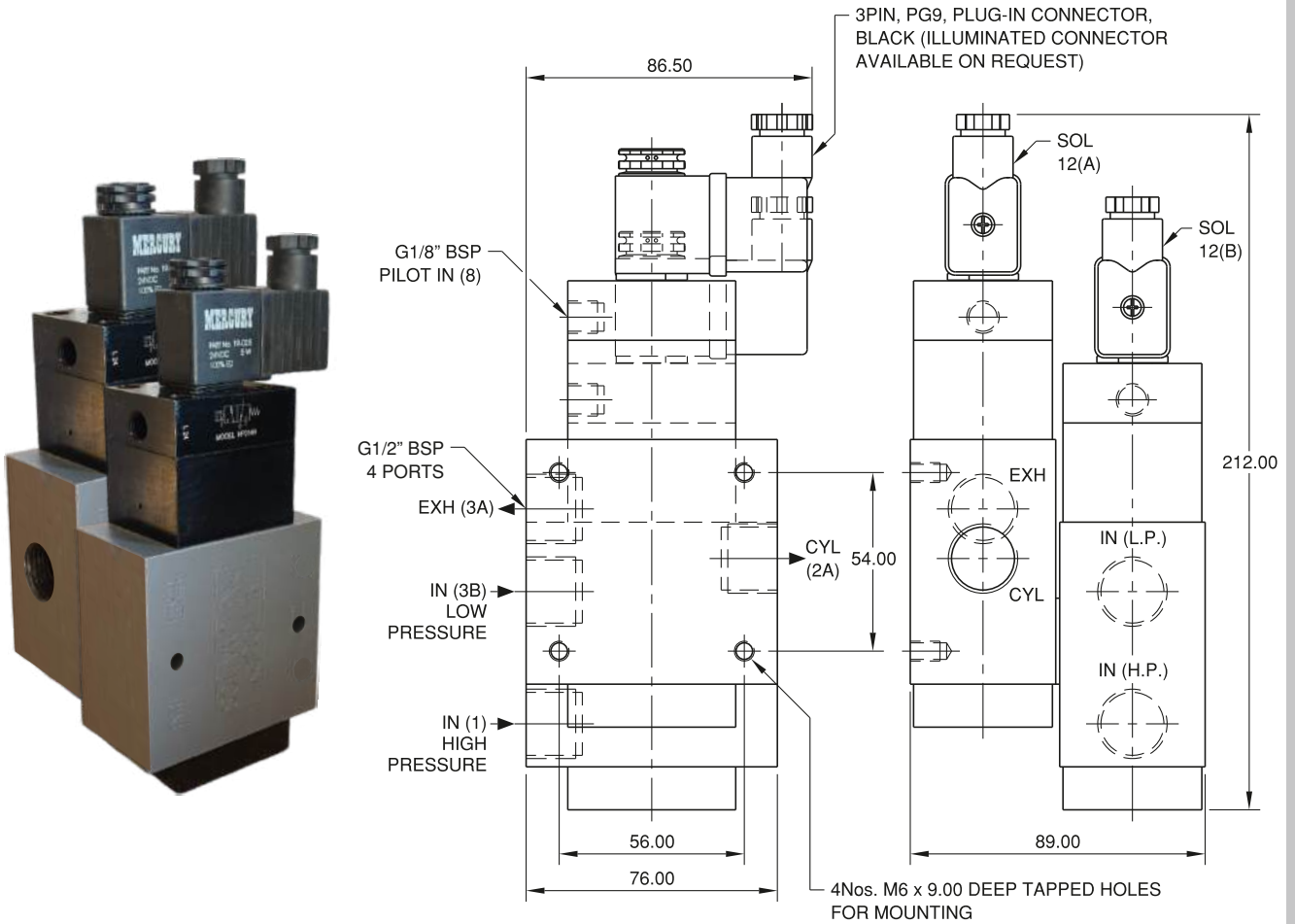
### 1/2" BSP 3/2 ( 3 WAY) High Pressure Blow Solenoid Valve



\* ADD VOLTAGE & CONNECTOR SUFFIX WHILE ORDERING

MODEL No.	DESCRIPTION	SYMBOL	WEIGHT (Kg.)	SEAL KIT No.	POPPET KIT No.
HP314H*	1/2" BSP 3/2 HIGH PRESSURE BLOW SOLENOID VALVE		1.05	SKHP314H	PHP314H

**1/2" BSP 3/2 ( 3 WAY) Dual Pressure Blow Solenoid Valve**



\* ADD VOLTAGE & CONNECTOR SUFFIX WHILE ORDERING

MODEL No.	DESCRIPTION	SYMBOL	WEIGHT (Kg.)	SEAL KIT No.	POPPET KIT No.
HP314D *	1/2" BSP 3/2 DUAL PRESSURE BLOW SOLENOID VALVE		2.16	SKHP314D	PHP314D

**SEQUENCE OF OPERATION**

- 1) SOL 12A 'ON' : Low Pressure (3B) is connected to outlet (Cyl 2A) (Low Pressure pre-blow)
- 2) SOL 12A + SOL 12B 'ON' : High Pressure is connected to outlet (Cyl 2A) (High Pressure blow)
- 3) Both SOL 'OFF' : Outlet (Cyl 2A) connected to Exh (3A) (Exhausting)



# Poppet Type Solenoid Valves Series DP



Mechanical Characteristic	
Body	: Aluminum
Orifice	: LP-12mm, H.P-16mm, EXH- 24mm
Ports	: Refer technical data.
Seals	: NBR / Polymer
Design	: Poppet type, external pilot operated.
Weight	: DP215-1/2 :-3.60 kg, DP215-1R/2R :-4.60kg DP215-1RS/2RS :-6.60kg
Operating Conditions	
Media	: Air (filtered 40 $\mu$ )
Temperature Range	: +5 to +50°C
Pressure Range	: <b>Pilot</b> :- 6 to 8bar <b>LP</b> :- 2 to 20bar, <b>HP</b> :- 3 to 40bar
Leakage	: Bubble Tight
Electrical Conditions	
Coil Voltage	: 230 VAC / 24 VDC
Power	: DC-3W; AC-5W Hold
Duty Cycle	: Continuous
Protection	: IP 65 (as per DIN 40 050)
Connector	: Illuminated



**DP215-1 (EXH NO)  
DP215-2 (EXH NC)**

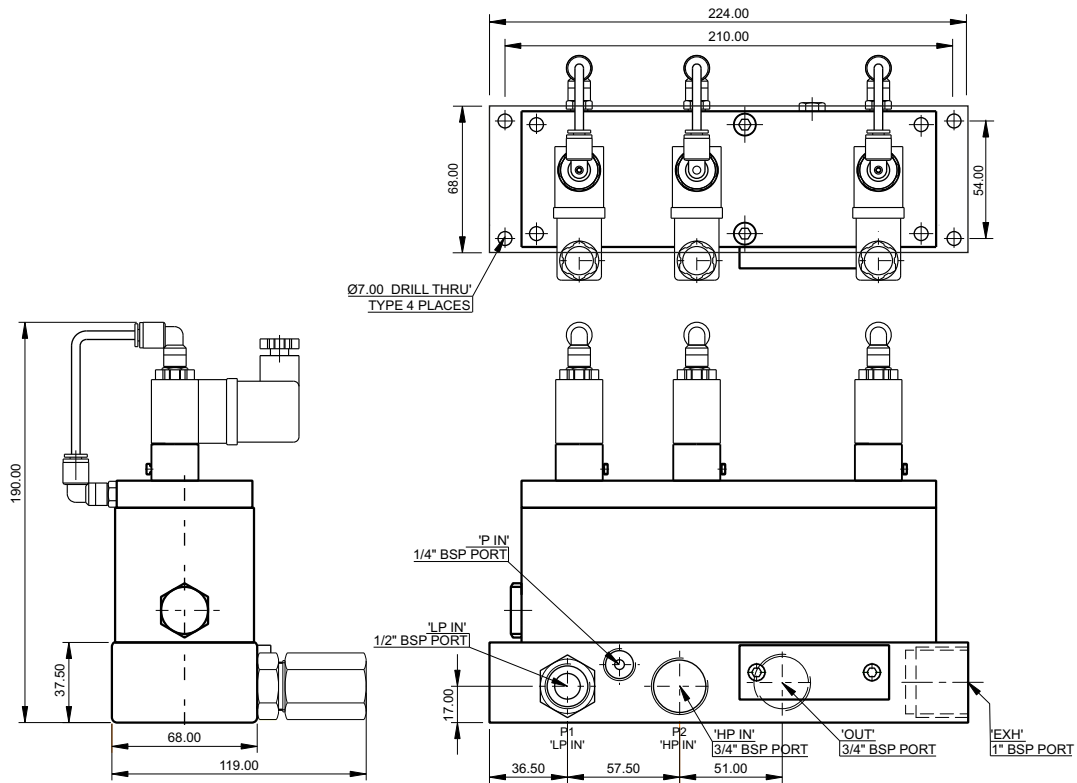


**DP215-1R  
DP215-2R**

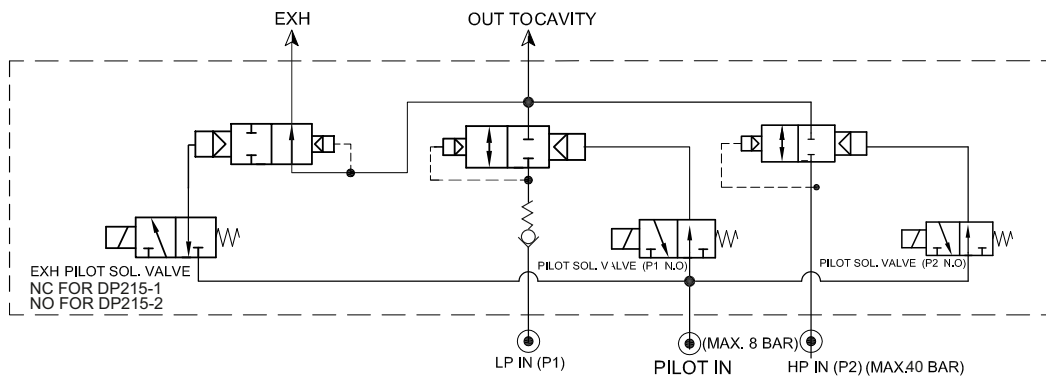


**DP215-1RS  
DP215-2RS**

## 3/4" PET BLOW VALVE MODEL :- DP215-1/ DP 215-2



## CIRCUIT DIAGRAM MODEL :- DP215-1/DP215-2

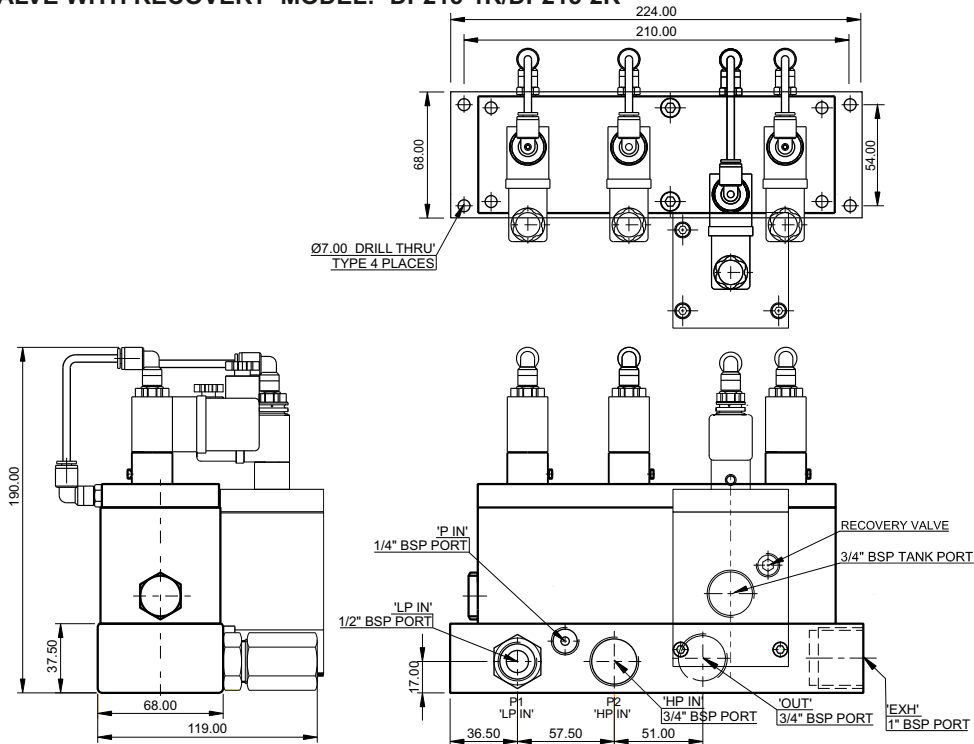




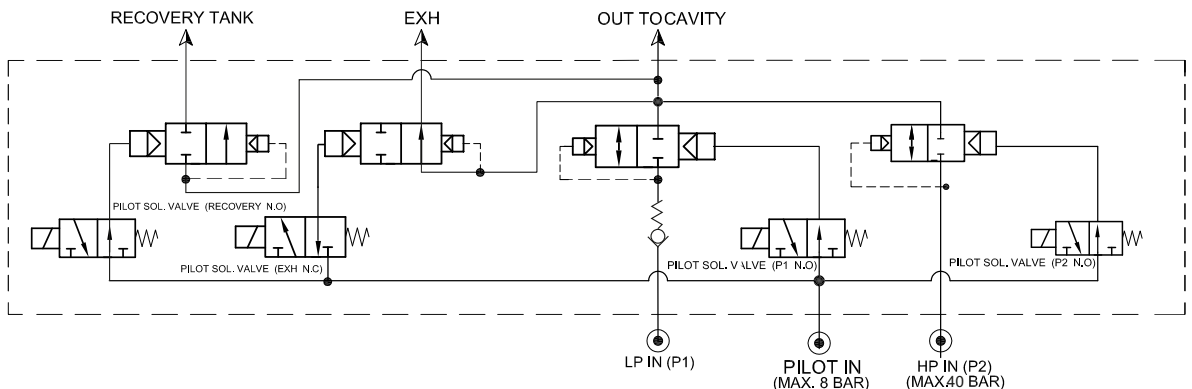
# Poppet Type Solenoid Valves Series DP



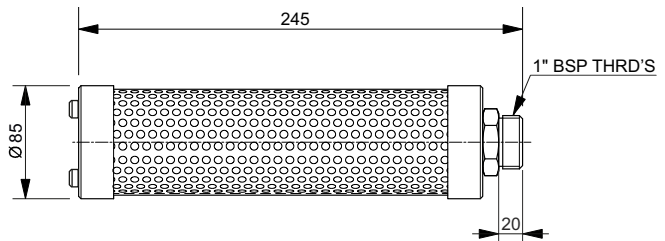
## 3/4" PET BLOW VALVE WITH RECOVERY MODEL:- DP215-1R/DP215-2R



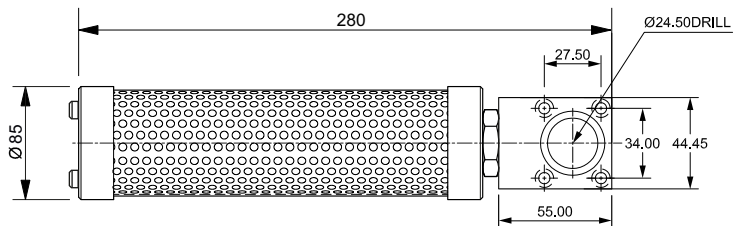
## CIRCUIT DIAGRAM MODEL:- DP215-1R/DP215-2R



## 1" BSP 40 BAR SILENCER :- MODEL- SL26H



## 1" BSP 40 BAR SILENCER WITH VALVE MOUNTING BLOCK



TECHNICAL DATA FOR SILENCER	
Hose Pressure	:- 40 bar
Operating Temperature	:- 0 to 60°C
Sound level	:- ≤ 80 dB
Weight	:- 0.8 Kgs

Note:- Due to constant improvements, dimensions and technical specifications are subjected to change without notice.



## Special Valves for “Pet Moulding”

3/4" & 1" BSP Cushion Solenoid Valve for decelerating mould open-close

# MERCURY

### Mechanical Characteristic

Body	: Aluminium
Orifice	: Refer to technical data
Ports	: Refer to technical data
Seals	: NBR / PU
Design	: Poppet type, external pilot operated
Weight	: Refer to technical data

### Operating Conditions

Media	: Hydraulic oil
Temperature Range	: +5° to +50°C
Mainline Pressure Range	: 2.5 to 10 bar
External Pilot Pressure Range	: 5 to 9 bars

### Electrical Conditions

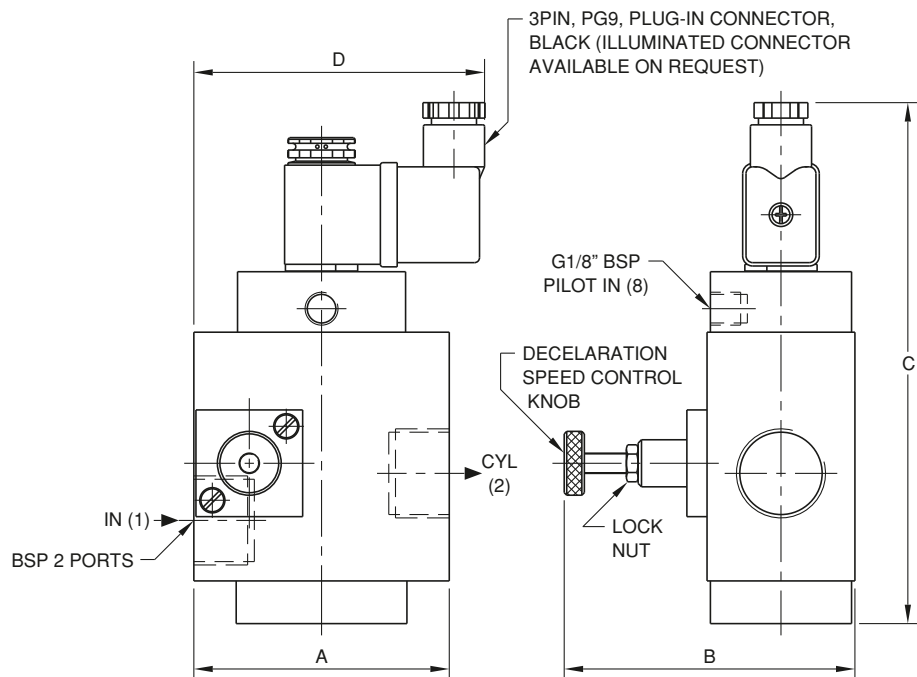
Coil Voltage	: 12 & 24 VDC; 24, 48, 110 & 230 VAC / 50 Hz ±10%
Power	: DC - 3 W; AC - 5 VA Hold, 7.5 VA Pickup
Duty Cycle	: Continuous
Response Time	: 15 msec ON / 25 msec OFF
Protection	: IP 65 (as per DIN 40 050)
Connector	: Black (illuminated on request)

\* While ordering specify Coil voltage & type of connector. Add voltage & connector suffix as below to model no.

Connector	230VAC	24VAC	12VAC	24VDC	12VDC	110VAC	48VAC
BLACK	A	B	C	D	E	F	G
ILLUMINATED	L	M	N	P	Q	R	S



## 3/4" & 1" BSP 2/2 (2 WAY) Normally Open Cushion Solenoid Valves



\* ADD VOLTAGE & CONNECTOR SUFFIX WHILE ORDERING

MODEL No.	DESCRIPTION	SYMBOL	BSP PORT	A	B	C	D	ORIFICE (mm)	WEIGHT (Kg.)	SEAL KIT No.
NP215C*	3/4" BSP 2/2 NORMALLY OPEN CUSHION SOLENOID VALVE		3/4"	76.00	86.50	157.00	86.50	Ø20.00	0.87	SKNP215C
NP216C*	1" BSP 2/2 NORMALLY OPEN CUSHION SOLENOID VALVE		1"	89.00	95.50	171.00	93.00	Ø24.50	1.24	SKNP216C



# Special Valves for "Pet Moulding"

1/2" BSP High Pressure Regulator

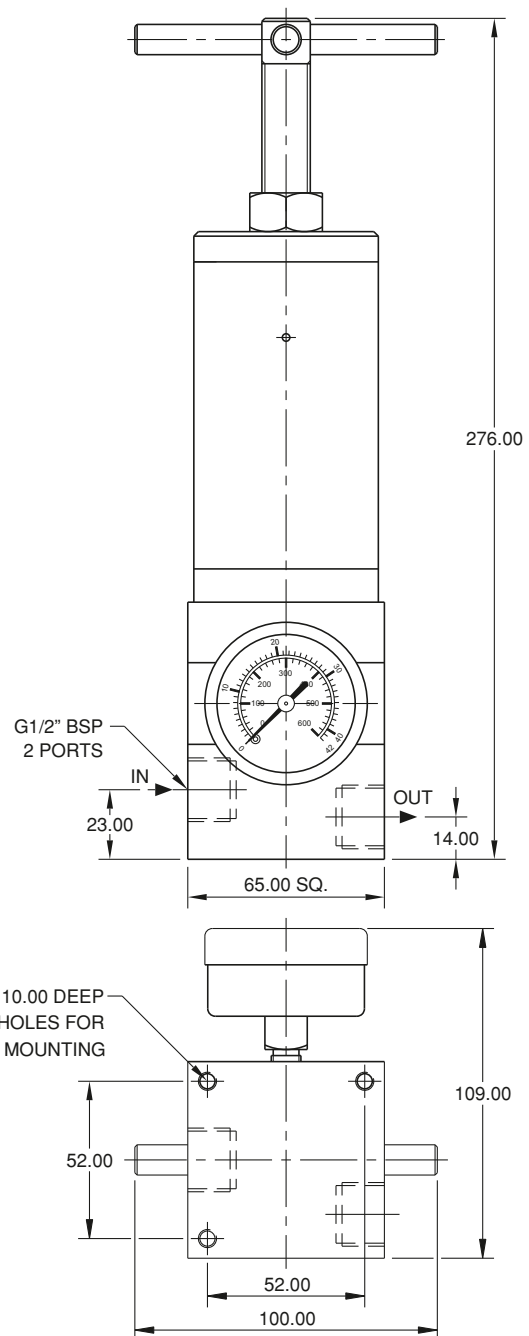


### Mechanical Characteristic

Body	: Aluminium
Orifice	: Ø12.00mm
Ports	: G1/2" BSP Female
Seals	: NBR / PU
Design	: Piston type, self relieving
Weight	: Refer to technical data

### Operating Conditions

Media	: Compressed Air (filtered 40F & lubricated)
Temperature Range	: +5° to +50°C
Pressure Range	: Inlet 5 to 40 bar, Regulated 0 to 40 bar
Leakage	: Bubble Tight
Flow (NLPM) at 5 bar	: 2500 Normal litres per min.



MODEL No.	DESCRIPTION	SYMBOL	WEIGHT (Kg.)	SEAL KIT No.
RH4	G1/2" BSP HIGH PRESSURE REGULATOR WITH PRESSURE GAUGE		3.12	SKRH4





# Special Valves for "Pet Moulding"

1" BSP High Pressure Regulator

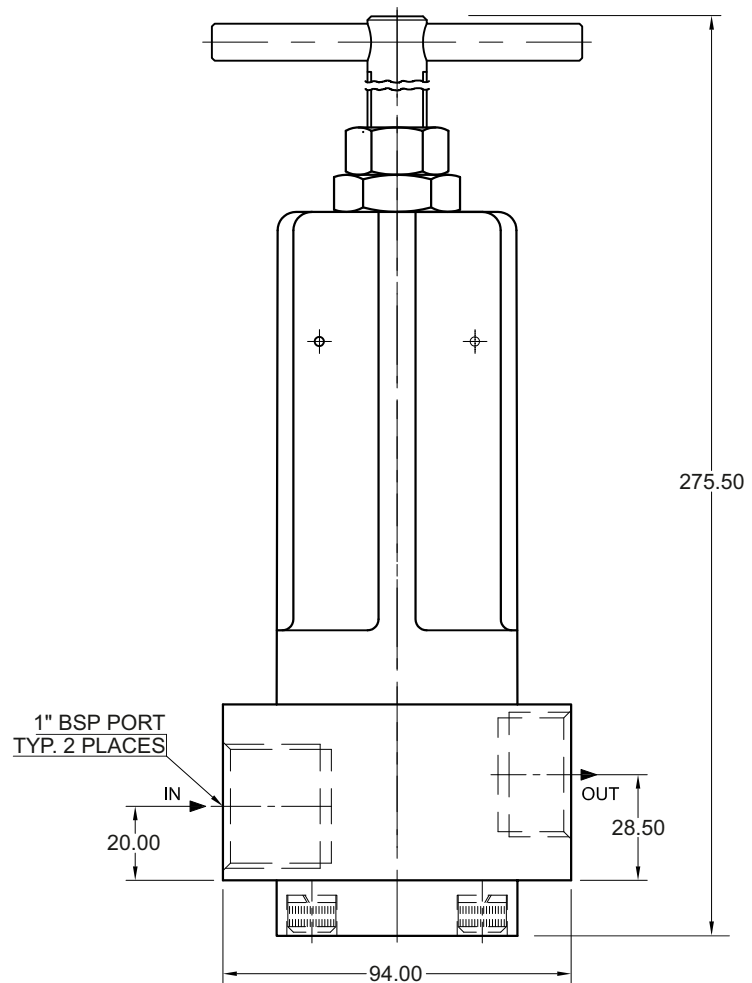


### Mechanical Characteristic

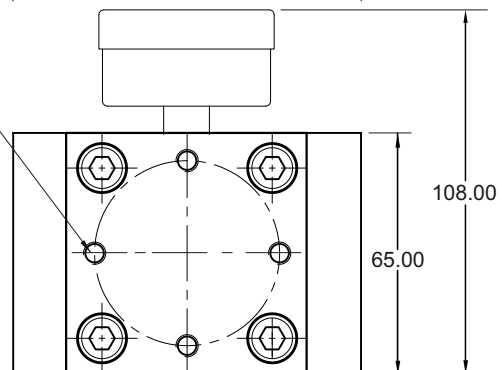
Body	: Aluminium
Orifice	: Ø24.50mm
Ports	: G1" BSP Female
Seals	: NBR / PU
Design	: Piston type, self relieving
Weight	: Refer to technical data

### Operating Conditions

Media	: Compressed Air (filtered 40µ & lubricated)
Temperature Range	: +5° to +50°C
Pressure Range	: Inlet 5 to 40 bar, Regulated 0 to 40 bar
Leakage	: Bubble Tight
Flow (NLPM) at 5 bar	: 10000 Normal liters per min.



4 Nos. M6 THRD'S x 9.00 DEEP ON 50 P.C.D  
EQUISPACED ON 90° FOR MOUNTING



MODEL No.	DESCRIPTION	SYMBOL	WEIGHT (Kg.)	SEAL KIT No.
RH6	G1" BSP HIGH PRESSURE REGULATOR WITH PRESSURE GAUGE		3.50	SKRH6



# NPC114EH

1/2" BSP 2/2 HIGH PRESSURE SOLENOID VALVE.

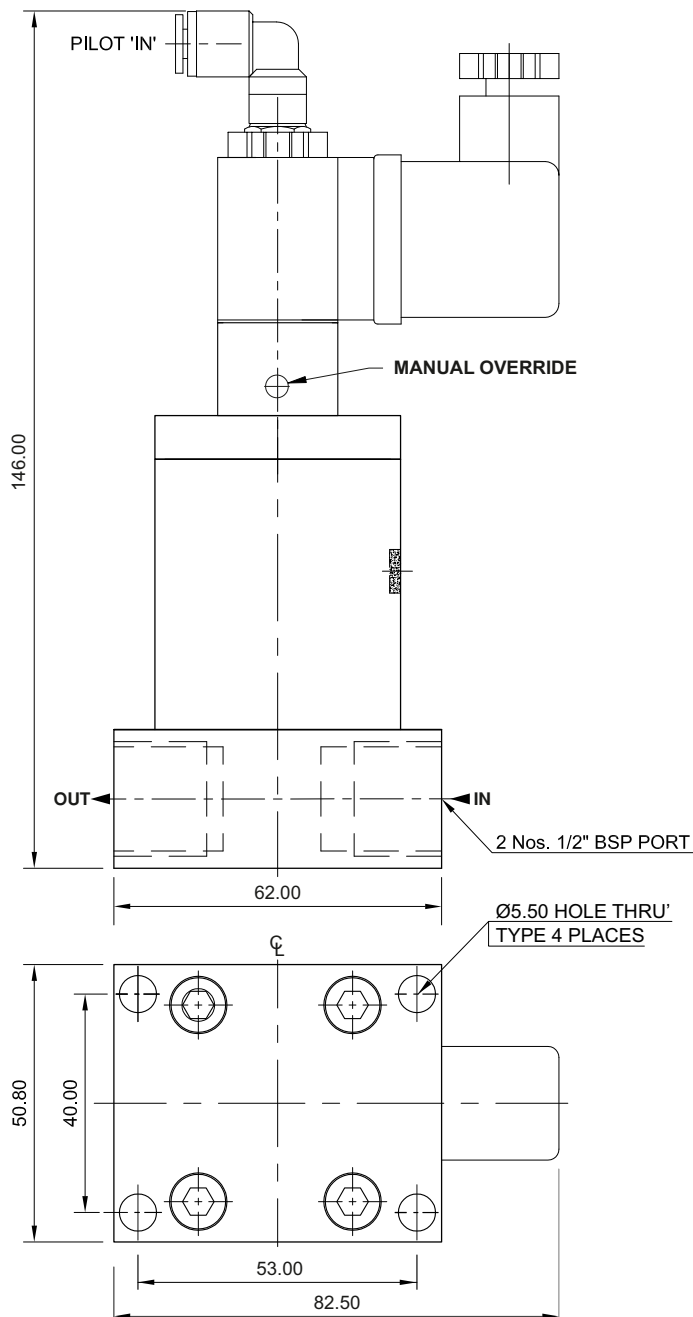


### Mechanical Characteristic

Body	: Aluminium
Orifice	: Ø13.00mm
Ports	: G1/2" BSP Female
Seals	: NBR / Polymer
Design	: Poppet Type, External Pilot Operated

### Operating Conditions

Media	: Air (filtered 40µ & lubricated)
Temperature Range	: +5° to +50°C
Mainline Pressure Range	: 5 to 40 bar
External Pilot Pressure Range	: 3 to 8 bar
External Pilot Connection Size	: Dia 4 mm
Leakage	: Bubble Tight



MODEL No.	DESCRIPTION	WEIGHT (Kg.)	SEAL KIT No.
NPC114EH	1/2" BSP 2/2 HIGH PRESSURE SOLENOID VALVE.	0.550	SKNPC114EH



**NPC115EH**  
3/4" BSP 2/2 HIGH PRESSURE SOLENOID VALVE.

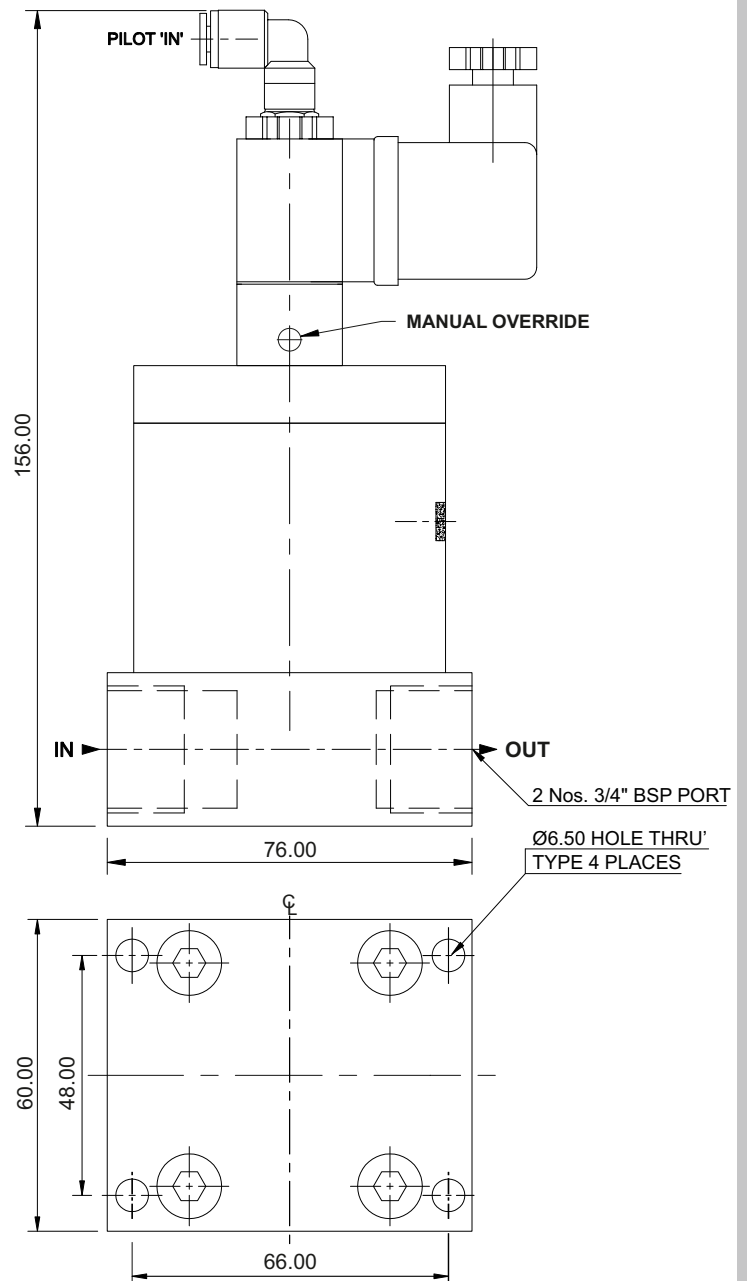


**Mechanical Characteristic**

Body	: Aluminium
Orifice	: Ø16.00mm
Ports	: G3/4" BSP Female
Seals	: NBR / Polymer
Design	: Poppet Type, External Pilot Operated

**Operating Conditions**

Media	: Air (filtered 40µ & lubricated)
Temperature Range	: +5° to +50°C
Mainline Pressure Range	: 5 to 40 bar
External Pilot Pressure Range	: 3 to 8 bar
External Pilot Connection Size	: Dia 4 mm
Leakage	: Bubble Tight



MODEL No.	DESCRIPTION	WEIGHT (Kg.)	SEAL KIT No.
NPC115EH	3/4" BSP 2/2 HIGH PRESSURE SOLENOID VALVE.	1.1	SKNPC115EH



**NPC116EH**  
1" BSP 2/2 HIGH PRESSURE SOLENOID VALVE.

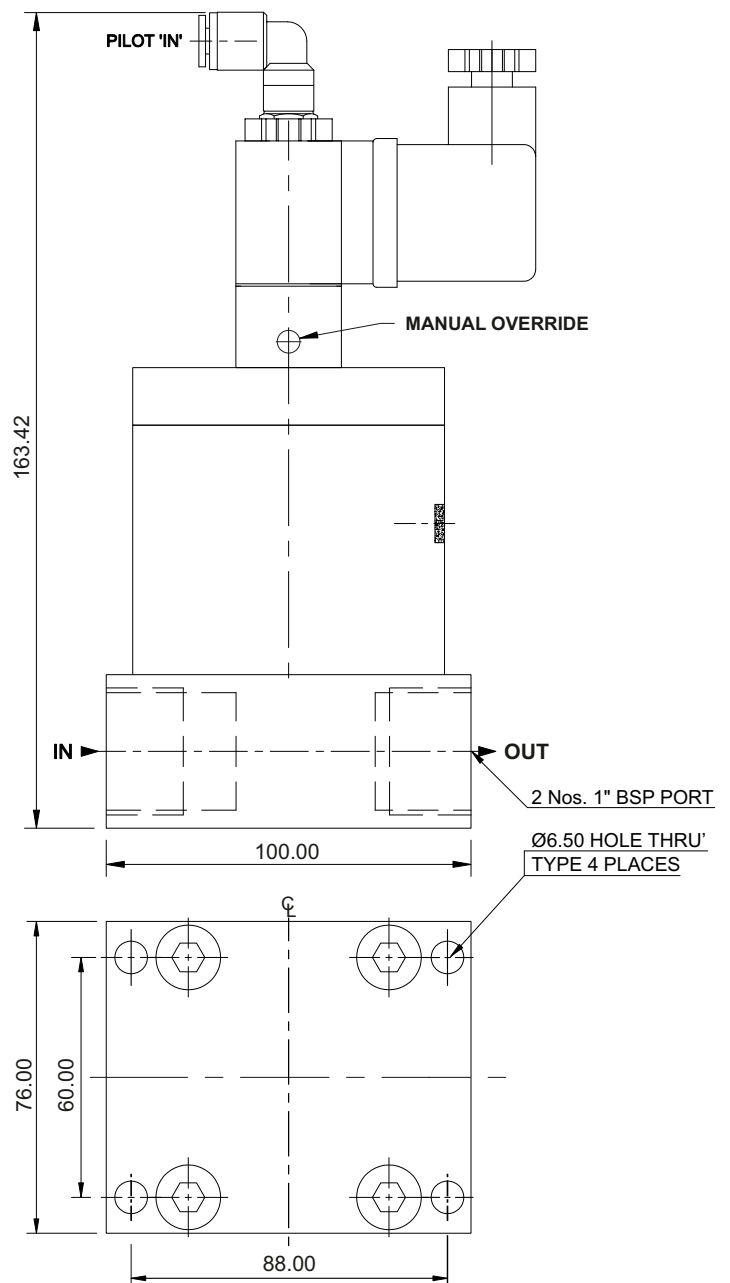


**Mechanical Characteristic**

Body	: Aluminium
Orifice	: Ø24.50mm
Ports	: G3/4" BSP Female
Seals	: NBR / Polymer
Design	: Poppet Type, External Pilot Operated

**Operating Conditions**

Media	: Air (filtered 40µ & lubricated)
Temperature Range	: +5° to +50°C
Mainline Pressure Range	: 5 to 40 bar
External Pilot Pressure Range:	3 to 8 bar
External Pilot Connection Size	: Dia 4 mm
Leakage	: Bubble Tight



MODEL No.	DESCRIPTION	WEIGHT (Kg.)	SEAL KIT No.
NPC116EH	3/4" BSP 2/2 HIGH PRESSURE SOLENOID VALVE.	1.1	SKNPC116EH



# High Pressure Non Return Valve



### Mechanical Characteristic

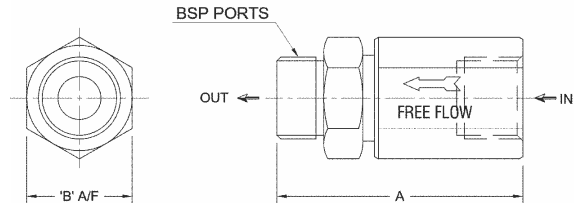
Body	: Aluminium
Orifice	: Refer to technical data
Ports	: BSP (IN Port : Female, OUT Port : Male)
Seals	: NBR
Weight	: Refer to technical data

### Operating Conditions

Media	: Compressed Air
Temperature Range	: +5° to + 50°C
Pressure Range	: 2 to 40 bar
Leakage	: Bubble Tight
Flow (NLPM) at 5 bar	: Refer to technical data

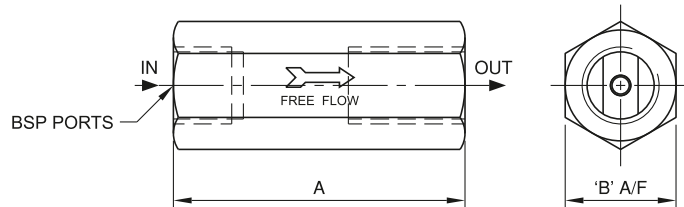


## 1/2", BSP High Pressure Non Return Valve NR4H



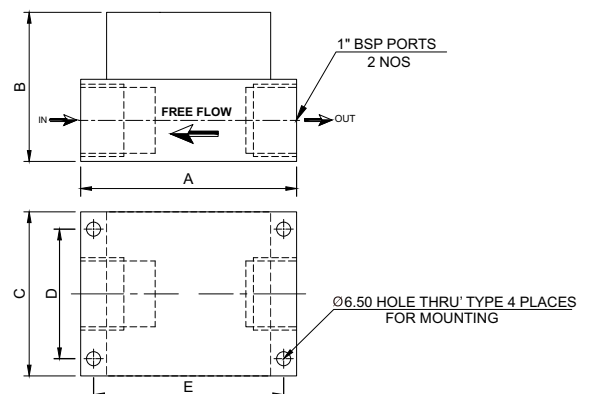
MODEL No.	SIZE BSP.	ORIFICE (mm)	SYMBOL	A	B A/F	FLOW NLPM	WEIGHT (Kg.)	SEAL KIT No.
NR4H	1/2"	Ø11.00	IN  OUT	63.00	27.00	2300	0.06	SKNR4H

## 3/4", BSP High Pressure Non Return Valve NR5H



MODEL No.	SIZE BSP.	ORIFICE (mm)	SYMBOL	A	B A/F	FLOW NLPM	WEIGHT (Kg.)	SEAL KIT No.
NR5H	3/4"	Ø19.00	IN  OUT	83.00	35.00	7000	0.14	SKNR5H

## 1", BSP High Pressure Non Return Valve NR6H



MODEL No.	SIZE BSP.	ORIFICE (mm)	SYMBOL	A	B	C	D	E	WEIGHT (Kg.)	SEAL KIT No.
NR6H	1"	Ø24.50	IN  OUT	100.00	70.00	76.00	60.00	88.00	1.1	SKNR6H



## High Pressure Silencers

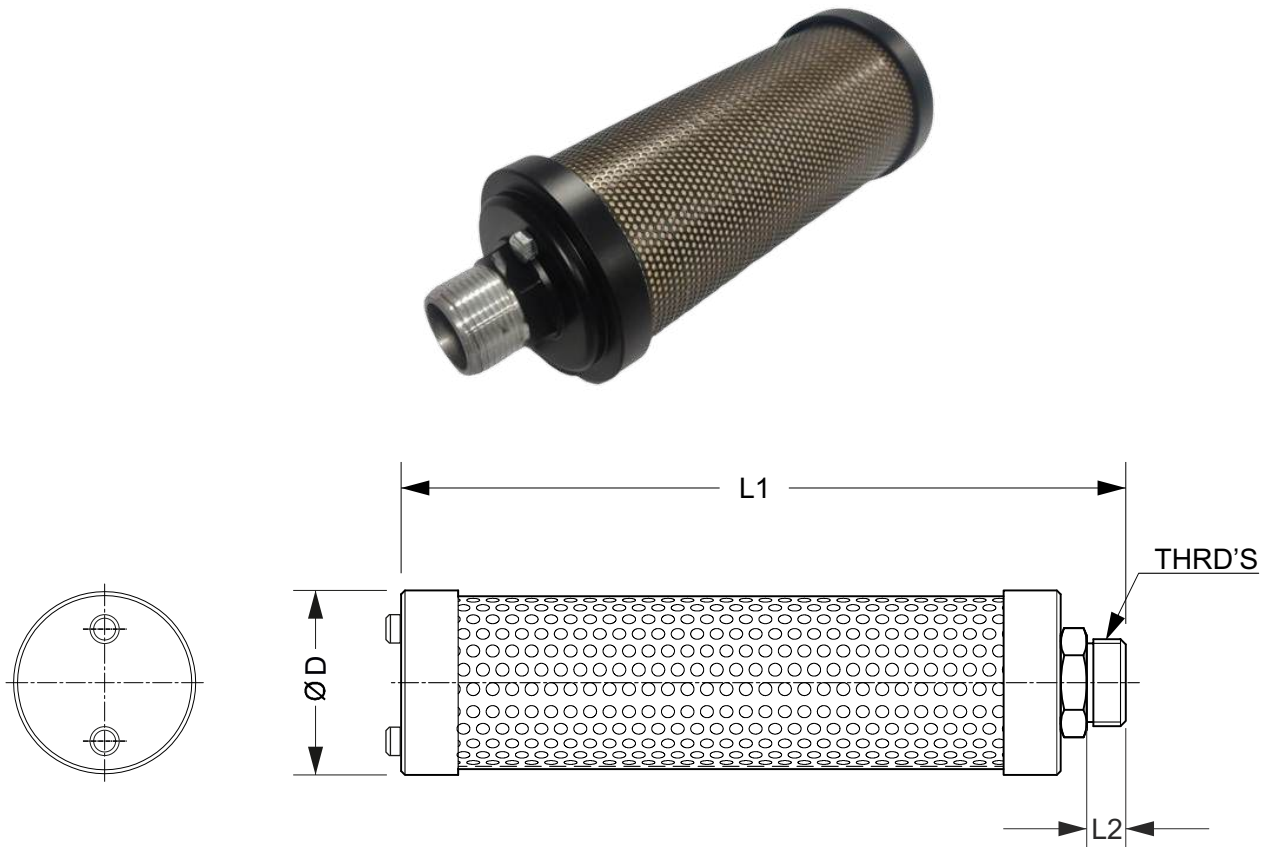
**MERCURY**

### Mechanical Characteristic

Body	: Stainless Steel
Media	: Air
Temperature Range	: +5 to + 50°C
Maximum Operating Pressure	: 40 bar
Threaded Connection	: Male Thread
Noise Reduction	: $\leq 80$ dB



### High Pressure Silencers Dimensional Layout :



Model No.	Thread	ØD	L1	L2
SL25H	3/4"	85	225	20
SL26H	1"	85	245	20
SL37H	1 1/4"	100	265	20
SL28H	1 1/2"	100	285	20