



Hydro Pneumatic Presses

*The efficient, low cost alternative to Hydraulic,
Power and Hand operated Presses*



Mercury Pneumatics Pvt. Ltd.

C-105, Ansa Industrial Estate, Saki Vihar Rd, Andheri (E),
Mumbai - 400072. India, Phone No.: +91-22-40151020
E-mail: contactus@mercuryindia.net Website: www.mercuryindia.net

MERCURY Hydro Pneumatic Presses are products of extensive development efforts initiated in 1988. Over 22,000 of these time tested & reliable machines are working in various industries all over India as of Dec 2019

Salient Features

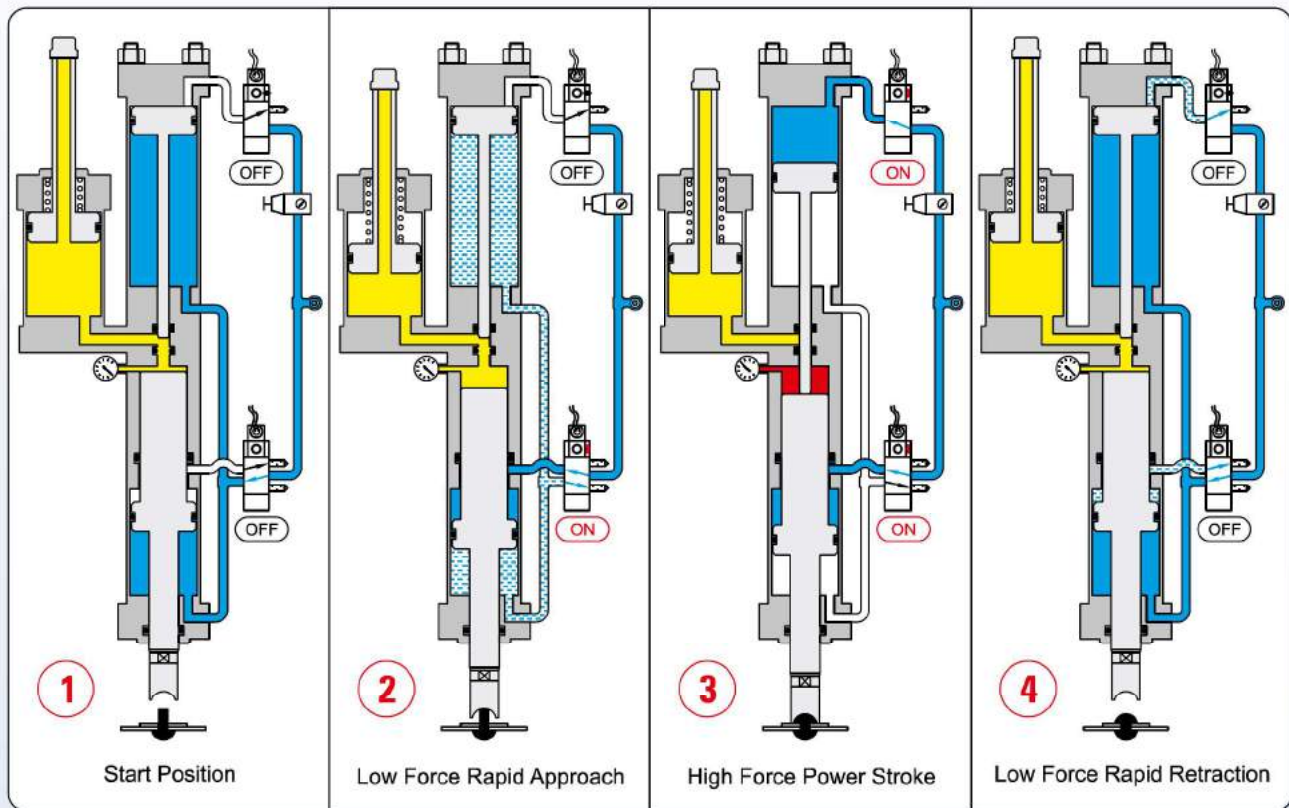
- **Fast Action** : 2T @ 100 cycles / min (CPM), 4T@60CPM, 8T@40CPM, 15T/30T/45T@20 CPM (with parking feature)
- **Compact, light weight & vibration free** : Can be mounted on existing work benches without any foundation
- **Versatile** : Force & speed can be varied infinitely. Machine can be mounted in any orientation
- **Energy efficient** : 50% to 70% saving over equivalent hydraulic and pneumatic systems
- **Low cost** : Upto 50% cheaper than hydraulic presses
- **Safety** : True, non tie down, interlocked Two Hand Safety operation
- **Aesthetics** : Specially designed two tone, squareline cylinder

Sequence of Operation

There are three stages of operation

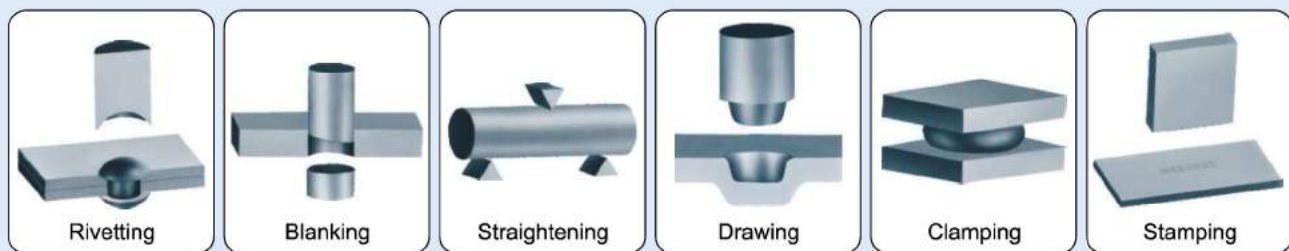
- (a) Initial low force, large travel, fast approach (Fig. ②)
- (b) High force, short travel (6, 12 or 24 mm), Power Stroke (Fig. ③)
- (c) Low force, rapid retraction (Fig. ④)

The low force approach and retraction at 5 bar air pressure results in upto 70% saving in energy.



Typical Applications

MERCURY Hydro Pneumatic Presses are ideal machines for any application requiring pressing force from 0.4 tonnes to 45 tonnes. They are specially suited for metal forming.





LOW OIL LEVEL SENSING

LOW OIL LEVEL REED SWITCH

LOW OIL LEVEL LED GLOWS AND PRESS OPERATION STOPS

NORMAL LEVEL LOW LEVEL

RAM LOCKDOWN FEATURE

TOP BOTTOM

WITH AIR ON WITH AIR OFF RAM COMES DOWN WITH AIR OFF & RAM LOCKDOWN FEATURE RAM REMAINS UP

LOW ENERGY SYSTEM

APPROACH AT 5 BAR RETRACT AT 1 BAR

DIGITAL STROKE COUNTER

9 9 9 9 9

Hydro Pneumatic Press - Optional Features

SAFETY LIGHT CURTAIN

TRANSMITTER RECEIVER

AUTO CYCLING OF POWER STROKE

RAPID APPROACH 1ST POWER STROKE

2ND POWER STROKE 3RD POWER STROKE

LOW & HIGH PRESSURE TRANSMITTER SENSING

LOW FORCE NORMAL HIGH FORCE

● PRESS OPERATION STOPS WHEN TONNAGE FALLS OUT OF SET RANGE

LOW PRESSURE SENSING WITH A PRESSURE SWITCH

NORMAL LOW FORCE

● PRESS OPERATION STOPS

POWER STROKE DEPTH CONTROL

±.05

FOOT SWITCH WITH GUARD

FG - Foot Switch with Guard
FG2 - Heavy duty Foot Switch

DUAL FORCE CIRCUIT

LOOSE (REJECT) O.K. TIGHT (REJECT)

AUTOMATIC LUBRICATION AUTOLUBE®

PROGRAMMED POSITIVE LUBRICATION UNDER PRESSURE

TOOL LIFE & COMPONENT SENSING

9 9 9 9 9

PNEUMATIC PRESSURE SWITCH SENSING

CONTINUOUS CYCLING

TO LINK WITH PRESS FEEDERS AND OTHER AUTOMATION DEVICES

PARKING FEATURE

NORMAL TRAVEL CONTROLLED TRAVEL

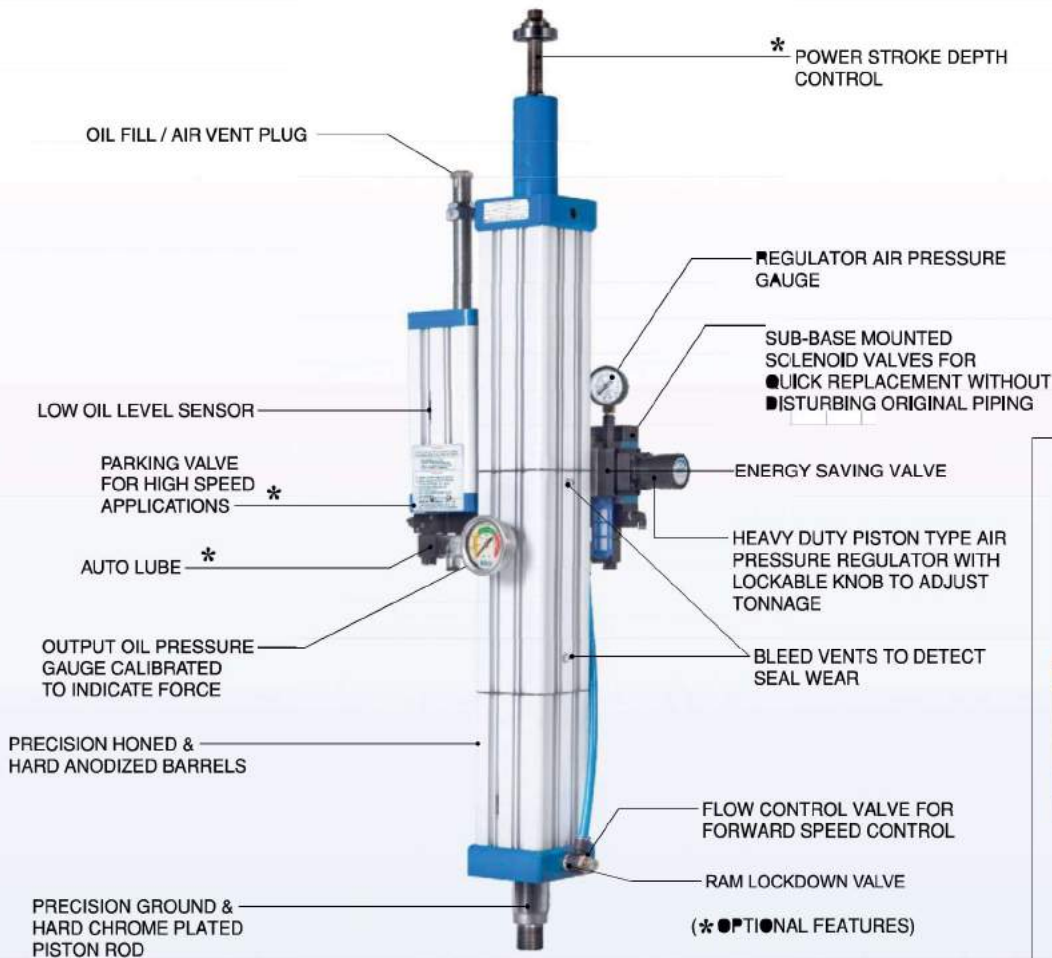
JOB EJECTION

APPROACH RETURN DEPTH CONTROL

NORMAL TRAVEL CONTROLLED TRAVEL



Hydro Pneumatic Press Cylinder



Series 'A'



Series 'N'

COMPACT "TRUE" TWO HAND "NON TIE DOWN" SAFETY CONTROLS

DE2HS



Standard Features

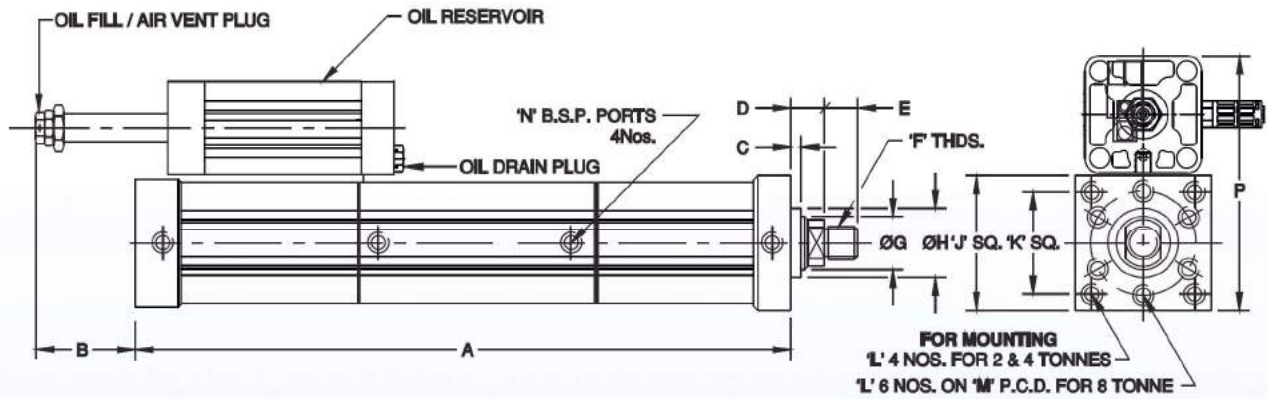
- Auto & Manual Mode
- 2 Hands Safety
- Digital Stroke Counter
- Low Oil Level Indicator

Optional Features

- Auto Cycling of Power Stroke
- Foot Switch Operation
- Auto Lube Integration
- Low Pressure Switch Sensing
- Safety Light Curtain Integration
- Ejection Cylinder Integration
- Parking Feature
- Automatic Feeder Integration
- Inching Facility
- Pneumatic Pressure Switch Sensing
- Dual Force Circuit
- Tool Life & Component Sensing



HYDRO PNEUMATIC PRESS DIMENSIONS



MODEL No.	TON @ 5 BARS	Total Stroke	Power Stroke	A	B	C	D	E	F	ØG	ØH	J SQ.	K SQ.	L	M	N	P	Q (NL) AIR. CONSU. @ 5 BARS
A 016-75	1	75	24	597	80	4	19.0	30	M20x1.5	25	45	80	55	M12x1.75	-	1/4"	158	5.3
A 016-100	1	100	24	647	80	4	19.0	30	M20x1.5	25	45	80	55	M12x1.75	-	1/4"	158	6.1
A 016-150	1	150	24	747	80	4	19.0	30	M20x1.5	25	45	80	55	M12x1.75	-	1/4"	158	7.5
AH 21-50	2.5	50	6	495	97	4	19.0	30	M20x1.5	25	45	80	55	M12x1.75	-	1/4"	158	4.1
AH 21-75	2.5	75	6	545	97	4	19.0	30	M20x1.5	25	45	80	55	M12x1.75	-	1/4"	158	4.8
AH 21-100	2.5	100	6	595	97	4	19.0	30	M20x1.5	25	45	80	55	M12x1.75	-	1/4"	158	5.5
AH 21-150	2.5	150	6	695	97	4	19.0	30	M20x1.5	25	45	80	55	M12x1.75	-	1/4"	158	7.0
AH 24-75	2.5	75	12	641	104	4	19.0	30	M20x1.5	25	45	80	55	M12x1.75	-	1/4"	158	6.9
AH 24-100	2.5	100	12	691	104	4	19.0	30	M20x1.5	25	45	80	55	M12x1.75	-	1/4"	158	7.6
AH 24-150	2.5	150	12	791	104	4	19.0	30	M20x1.5	25	45	80	55	M12x1.75	-	1/4"	158	9.0
A 026-75	2	75	24	628	75	4	22.0	35	M24x2.00	32	55	102	78	M16x2	-	1/4"	200	10.1
A 026-100	2	100	24	678	75	4	22.0	35	M24x2.00	32	55	102	78	M16x2	-	1/4"	200	11.2
A 026-150	2	150	24	778	75	4	22.0	35	M24x2.00	32	55	102	78	M16x2	-	1/4"	200	13.5
A 041-50	4	50	6	512	128	4	22.0	35	M24x2.00	32	55	102	78	M16x2	-	1/4"	200	6.6
A 041-75	4	75	6	562	128	4	22.0	35	M24x2.00	32	55	102	78	M16x2	-	1/4"	200	7.7
A 041-100	4	100	6	612	128	4	22.0	35	M24x2.00	32	55	102	78	M16x2	-	1/4"	200	8.9
A 041-150	4	150	6	712	128	4	22.0	35	M24x2.00	32	55	102	78	M16x2	-	1/4"	200	11.2
A 044-75	4	75	12	658	44	4	22.0	35	M24x2.00	32	55	102	78	M16x2	-	1/4"	200	11.1
A 044-100	4	100	12	708	44	4	22.0	35	M24x2.00	32	55	102	78	M16x2	-	1/4"	200	12.3
A 044-150	4	150	12	808	44	4	22.0	35	M24x2.00	32	55	102	78	M16x2	-	1/4"	200	14.6
A 046-75	4	75	24	713	63	4	25.0	35	M36x2.00	50	75	126	-	M16x2	105	1/2"	245	18.1
A 046-100	4	100	24	763	63	4	25.0	35	M36x2.00	50	75	126	-	M16x2	105	1/2"	245	19.8
A 046-150	4	150	24	863	63	4	25.0	35	M36x2.00	50	75	126	-	M16x2	105	1/2"	245	23.2
A 081-50	8	50	6	571	154	4	25.0	35	M36x2.00	50	75	126	-	M16x2	105	1/2"	245	11.4
A 081-75	8	75	6	621	154	4	25.0	35	M36x2.00	50	75	126	-	M16x2	105	1/2"	245	13.2
A 081-100	8	100	6	671	154	4	25.0	35	M36x2.00	50	75	126	-	M16x2	105	1/2"	245	14.9
A 081-150	8	150	6	771	154	4	25.0	35	M36x2.00	50	75	126	-	M16x2	105	1/2"	245	18.3
A 084-75	8	75	12	740	41	4	25.0	35	M36x2.00	50	75	126	-	M16x2	105	1/2"	245	19.6
A 084-100	8	100	12	790	41	4	25.0	35	M36x2.00	50	75	126	-	M16x2	105	1/2"	245	21.3
A 084-150	8	150	12	890	41	4	25.0	35	M36x2.00	50	75	126	-	M16x2	105	1/2"	245	24.8
N 086-75	7.25	75	24	760	-	4	24.5	50	M56x3	80	90	182	-	M20x2.5	125	1/2"	330	52
N 086-100	7.25	100	24	810	90	4	24.5	50	M56x3	80	90	182	-	M20x2.5	125	1/2"	330	55
N 086-150	7.25	150	24	910	90	4	24.5	50	M56x3	80	90	182	-	M20x2.5	125	1/2"	330	62
N 151-50	15	50	6	617	33	4	24.5	35	M40x2	56	90	182	-	M20x2.5	125	1/2"	330	33
N 151-75	15	75	6	667	33	4	24.5	35	M40x2	56	90	182	-	M20x2.5	125	1/2"	330	36
N 151-100	15	100	6	717	183	4	24.5	35	M40x2	56	90	182	-	M20x2.5	125	1/2"	330	40
N 151-150	15	150	6	817	183	4	24.5	35	M40x2	56	90	182	-	M20x2.5	125	1/2"	330	46
N 154-75	15	75	12	760	-	4	24.5	35	M40x2	56	90	182	-	M20x2.5	125	1/2"	330	54
N 154-100	15	100	12	810	90	4	24.5	35	M40x2	56	90	182	-	M20x2.5	125	1/2"	330	57
N 154-150	15	150	12	910	90	4	24.5	35	M40x2	56	90	182	-	M20x2.5	125	1/2"	330	64
N 156-75	14.75	75	24	854	-	4	26.0	50	M56x3	80	90	240	-	M24x3	150	1/2"	420	92
N 156-100	14.75	100	24	894	58	4	26.0	50	M56x3	80	90	240	-	M24x3	150	1/2"	420	96
N 156-150	14.75	150	24	994	58	4	26.0	50	M56x3	80	90	240	-	M24x3	150	1/2"	420	104
N 301-50	30	50	6	672	20	4	26.0	40	M48x3	63	90	240	-	M24x3	150	1/2"	420	56
N 301-75	30	75	6	722	20	4	26.0	40	M48x3	63	90	240	-	M24x3	150	1/2"	420	60
N 301-100	30	100	6	772	190	4	26.0	40	M48x3	63	90	240	-	M24x3	150	1/2"	420	64
N 301-150	30	150	6	872	190	4	26.0	40	M48x3	63	90	240	-	M24x3	150	1/2"	420	72
N 304-75	30	75	12	854	-	4	26.0	40	M48x3	63	90	240	-	M24x3	150	1/2"	420	95
N 304-100	30	100	12	894	58	4	26.0	40	M48x3	63	90	240	-	M24x3	150	1/2"	420	99
N 304-150	30	150	12	994	58	4	26.0	40	M48x3	63	90	240	-	M24x3	150	1/2"	420	107
N 304-200	30	200	12	1094	58	4	26.0	40	M48x3	63	90	240	-	M24x3	150	1/2"	420	117
N 306-100	30	100	24	1133	-	4	31.0	50	M64x4	80	100	285	-	M42x4.5	175	3/4"	459	218
N 306-150	30	150	24	1233	-	4	31.0	50	M64x4	80	100	285	-	M42x4.5	175	3/4"	459	231
N 306-200	30	200	24	1333	-	4	31.0	50	M64x4	80	100	285	-	M42x4.5	175	3/4"	459	243
N 451-100	45	100	6	842	161	4	31.0	50	M64x4	80	100	285	-	M42x4.5	175	3/4"	459	110
N 451-150	45	150	6	942	161	4	31.0	50	M64x4	80	100	285	-	M42x4.5	175	3/4"	459	122
N 451-200	45	200	6	1042	211	4	31.0	50	M64x4	80	100	285	-	M42x4.5	175	3/4"	459	134
N 454-100	45	100	12	1015	-	4	31.0	50	M64x4	80	100	285	-	M42x4.5	175	3/4"	459	175
N 454-150	45	150	12	1115	-	4	31.0	50	M64x4	80	100	285	-	M42x4.5	175	3/4"	459	187
N 454-200	45	200	12	1215	38	4	31.0	50	M64x4	80	100	285	-	M42x4.5	175	3/4"	459	199

To Calculate Compressor Power Capacity

1HP = 120 litres of Free Air (NL) Per Minute at 5 Bars.

N = Number of Cycles per minute

Q = Free Air Consumed Per Cycle (From Chart) in Normal Litres (NL)

$$\text{Power Required} = \frac{Q \times N}{120} \text{ (H.P.) or } \frac{Q \times N}{120} \times 0.746 \text{ (KW)}$$

Output Forces (kgf.) @ Line Pressure of 6 Bar & Regulated Pressure of 5 Bar.									
Tonnage	A016	AH21/24	A026	A041/044	A046	A081/084	15T	30T	45T
Approach	90	90	120	120	140	140	435	435	680
Power	975	2495	1970	4000	3900	7750	14750	29175	44950
Return	140	140	210	210	290	290	825	1160	1300

Example :- A 4Tonne, 50mm stroke with 6mm power stroke press is used at 5 Bars to cut Aluminium washer from a sheet of 10 pieces per minute.

- From above chart model A041-150 cylinder consumes 6.6 NL of air per cycle
- @ 10 strokes/min air consumption = 6.6 X 10 = 66.0 NLPM
- Electric Power Used = 66.0 ÷ 120 = 0.55 HP ≈ 0.41 KW
- Cost of electricity @ Rs 10.0 per KWH = 0.41 X 10 = Rs 4.10
- Cost of electricity per cut piece = 4.10 ÷ 10 = 0.06 Rs i.e 0.60 paise per piece



2 Column Presses

MERCURY



Plain

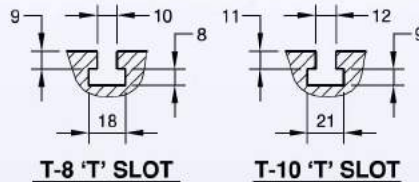
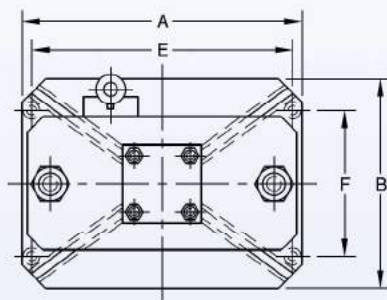


Anti Rotation Guide

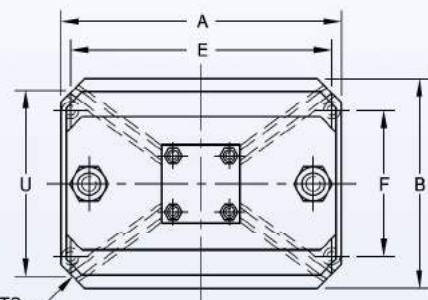


Guided Moving Platen

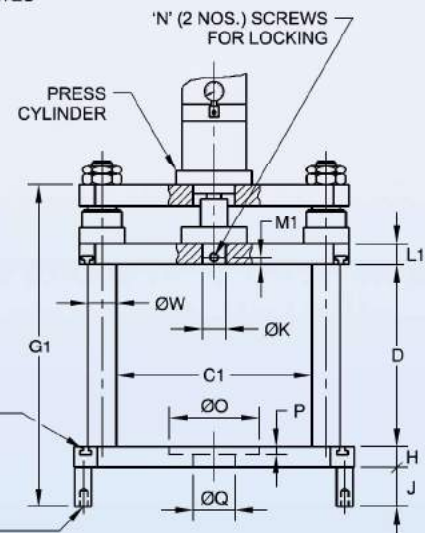
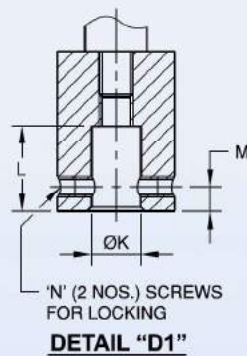
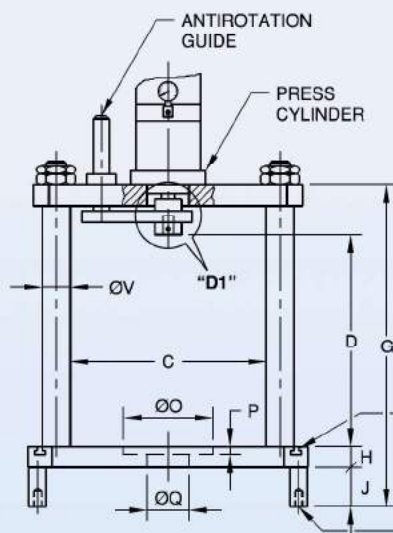
PLAIN (2P--) & WITH ANTI ROTATION GUIDE (2P--R)



WITH GUIDED MOVING PLATEN (2P--G)



DIAGONAL 'T' SLOTS ON BASE & MOVING PLATES



'R' THDS. (4 NOS.) FOR MOUNTING

PLAIN	WITH ARG	WITH GMP	TON	A	B	C	C1	D	E	F	G	G1	H	J	ØK	L	L1	M	M1	N	ØO	P	ØQ	R	T	U	ØV	ØW
2P02	2P02R	2P02G	2	350	240	270	270	250	320	160	425	459	38	55	20	25	38	6	10	M6	60	18	45	M10	8	215	32	32
2P04	2P04R	2P04G	4	400	300	300	302	300	364	205	493	534	43	55	25	30	43	10	12	M8	75	18	55	M12	8	270	40	38
2P08	2P08R	2P08G	8	435	300	300	304	300	405	205	513	564	53	55	25	40	53	10	12	M8	105	20	75	M12	10	265	55	50
2P15	2P15R	2P15G	15	510	325	350	352	350	465	215	633	694	68	85	30	60	68	10	12	M8	130	25	90	M16	10	285	65	63
2P30	2P30R	2P30G	30	525	350	350	353	350	480	240	677	765	85	85	40	80	85	12	15	M10	130	25	90	M20	10	310	76	73
2P45	2P45R	2P45G	45	630	400	390	390	400	575	250	796	860	95	100	50	100	95	20	15	M12	130	25	100	M20	10	350	90	90



4 Column Presses

MERCURY



Plain

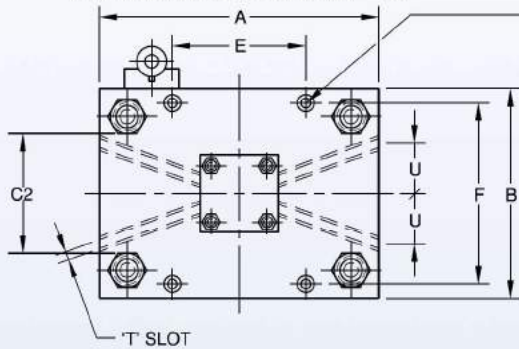


Anti Rotation Guide



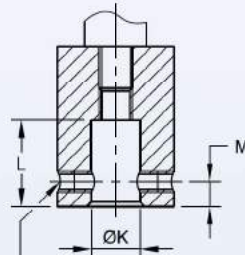
Guided Moving Platen

PLAIN (4P--) & WITH ANTI ROTATION GUIDE (4P--R)



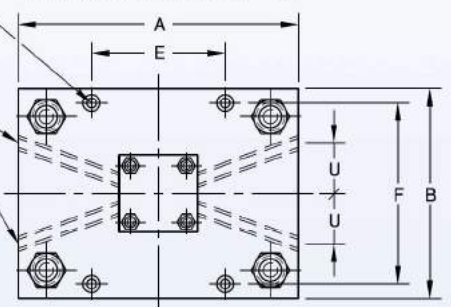
'R' (4 NOS.) DRILL & COUNTER FOR ALLEN CAP BOLT FOR MOUNTING

DIAGONAL 'T' SLOTS ON MOVING & BASE PLATES



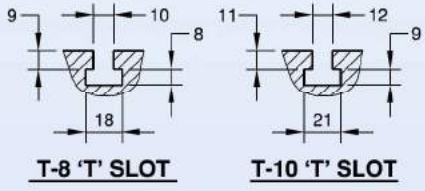
'N' (2 NOS.) SCREWS FOR LOCKING
DETAIL "D1"

WITH GUIDED MOVING PLATEN (4P--G)



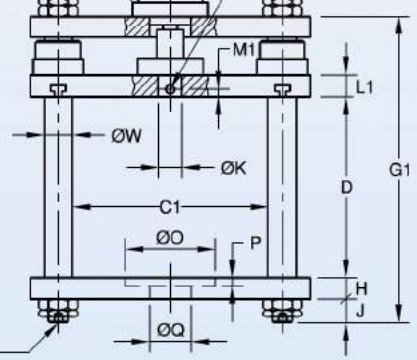
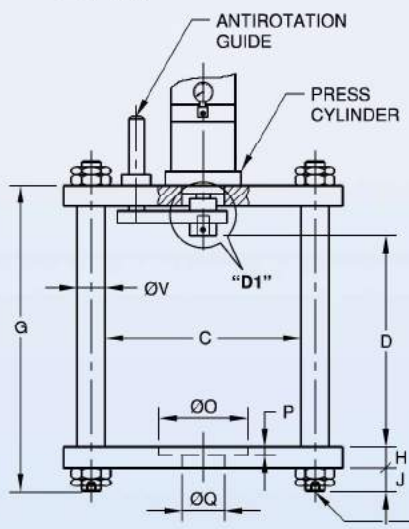
'N' (2 NOS.) SCREWS FOR LOCKING

PRESS CYLINDER



T-8 'T' SLOT

T-10 'T' SLOT



'R' THDS. (4 NOS.) FOR MOUNTING

PLAIN	WITH ARG	WITH GMP	TON	A	B	C	C1	C2	D	E	F	G	G1	H	J	ØK	L	L1	M	M1	N	ØO	P	ØQ	R	T	U	ØV	ØW
4P02	4P02R	4P02G	2	340	250	270	270	180	250	200	220	417	445	32	53	20	25	32	10	10	M6	60	18	45	M10	8	75	30	30
4P04	4P04R	4P04G	4	383	300	300	300	217	300	225	270	480	516	38	47	25	30	38	10	12	M8	75	18	55	M12	8	75	35	35
4P08	4P08R	4P08G	8	484	300	350	354	166	300	275	270	513	564	53	55	25	40	53	10	12	M8	105	20	75	M12	10	75	55	50
4P15	4P15R	4P15G	15	500	325	350	350	175	350	275	285	621	677	62	80	30	60	62	10	12	M8	130	25	90	M16	10	80	60	60
4P30	4P30R	4P30G	30	510	350	350	350	190	350	275	310	659	734	72	80	40	80	72	12	15	M10	130	25	90	M20	10	90	70	70
4P45	4P45R	4P45G	45	610	400	400	400	190	400	300	350	786	840	85	100	50	100	85	20	15	M12	130	25	100	M20	10	85	80	80



'C' Frame Presses



Plain

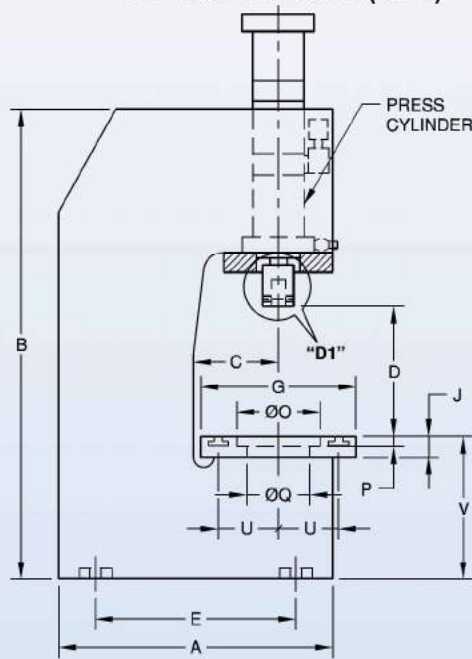


Anti Rotation Guide

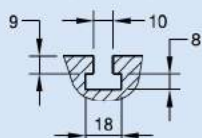
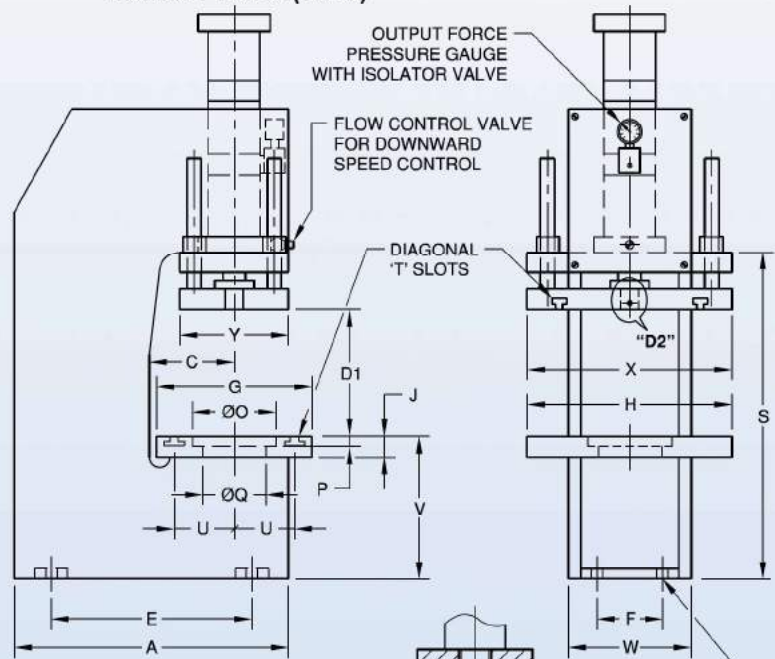


Guided Moving Platen

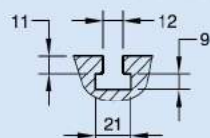
PLAIN (1C--) & WITH ANTI ROTATION GUIDE (1C--R)



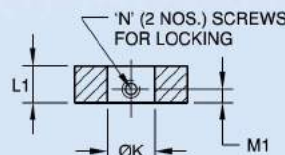
WITH GUIDED MOVING PLATEN (1C--G)



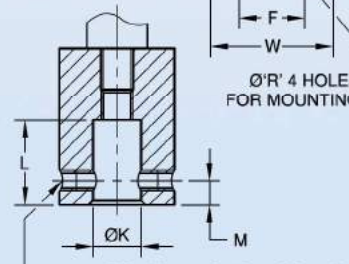
T-8 'T' SLOT



T-10 'T' SLOT



DETAIL "D2"

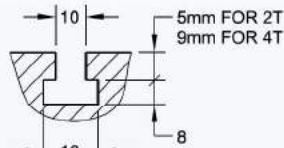
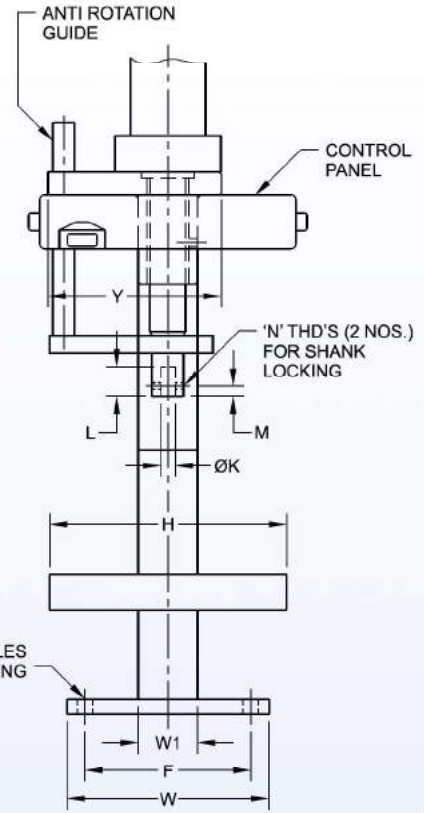
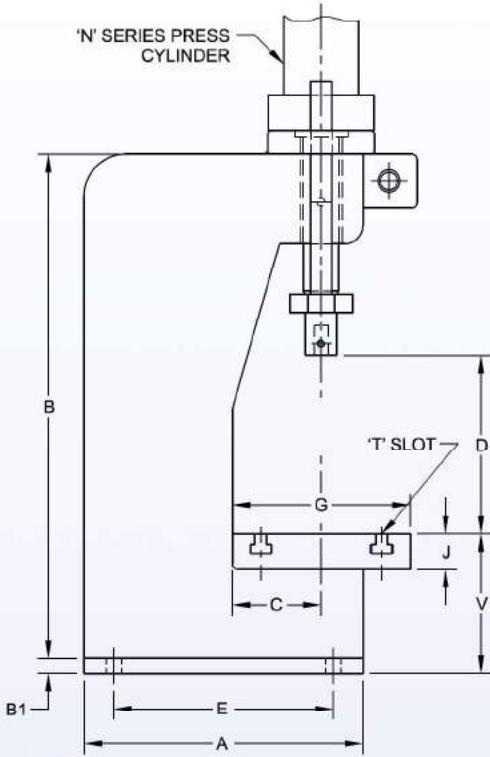


DETAIL "D1"

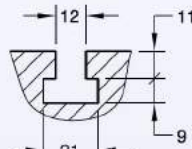
PLAIN	WITH ARG	WITH GMP	TON	A	B	C	D	D1	E	F	G	H	J	ØK	L	L1	M	M1	N	ØØ	P	ØØQ	ØØR	S	T	U	V	W	X	Y
1C02	1C02R	1C02G	2	465	767	125	255	221	400	85	230	230	38	20	25	38	6	10	M6	60	18	45	13	566	8	75	240	180	266	200
1C04	1C04R	1C04G	4	550	890	150	310	270	480	120	280	280	43	25	30	43	10	12	M8	75	18	55	13	664	8	100	270	225	337	200
1C08	1C08R	1C08G	8	640	984	175	300	250	575	150	330	350	53	25	40	53	10	12	M8	105	20	75	13	715	10	100	322	296	408	230
1C15	1C15R	1C15G	15	700	1149	200	350	310	630	150	380	380	62	30	60	62	10	12	M8	130	25	90	17	839	10	125	372	311	431	250
1C30	1C30R	1C30G	30	750	1217	200	350	310	680	175	380	380	72	40	80	72	12	15	M10	130	25	90	17	892	10	125	397	365	500	250
1C45	1C45R	1C45G	45	925	1266	200	350	341	855	225	380	475	77	50	100	77	20	20	M12	130	25	100	17	941	10	125	402	425	560	280



Compact 'C' Frame Presses



T-8 'T' SLOT



T-10 'T' SLOT

Ø'R' 4 HOLES FOR MOUNTING

MODEL No.	TON	A	B	B1	C	D	E	F	G	H	J	ØK	L	M	N	R	T	V	W	W1	Y
3C02R	2	245	437	12.5	65	200	200	120	120	150	27	12	30	10	M6	13	10	115	150	35	103
3C04R	4	345	470	15	75	200	300	170	140	200	35	16	30	10	M6	13	10	150	200	50	138
3C08R	8	415	545	20	100	250	320	200	180	250	35	25	30	10	M6	13	10	180	230	72	184
* 3C15R	15	495	630	-	100	200	420	100	175	300	50	30	40	10	M8	13	10	200	276	-	276

*(Note:-For 3C15R compact 'C' frame press, an 'N' series hydro pneumatic cylinder will be supplied.)

HOW TO ORDER

2P 02 R - A H2 1 - 50 E B - 1

FRAME TYPE

2P	2 PILLAR
4P	4 PILLAR
1C	C FRAME
3C	COMPACT C FRAME

TONNAGE

02	2 TONNE
04	4 TONNE
08	8 TONNE
15	15 TONNE
30	30 TONNE
45	45 TONNE

CYL SERIES

A	1 TONNE
N	2.5 TONNE
P	4 TONNE

TONNAGE

01	1 TONNE
H2	2.5 TONNE
04	4 TONNE
08	8 TONNE
15	15 TONNE
30	30 TONNE
45	45 TONNE

SERIES TYPE

-	NIL
X	X SERIES
H	H SERIES

TOTAL STROKE (in mm)

50	50
75	75
100	100
150	150
200	200

POWER STROKE

0	3 MM
1	6 MM
3	10 MM
4	12 MM
5	15 MM
6	24 MM

GUIDE TYPE

-	NIL
R	ANTI ROTATION GUIDE
G	GUIDED MOVING PLATEN

CONTROLS

E	DIGITAL 2 HAND SAFETY
S	SOLENOID CONTROLS

COIL VOLTAGE

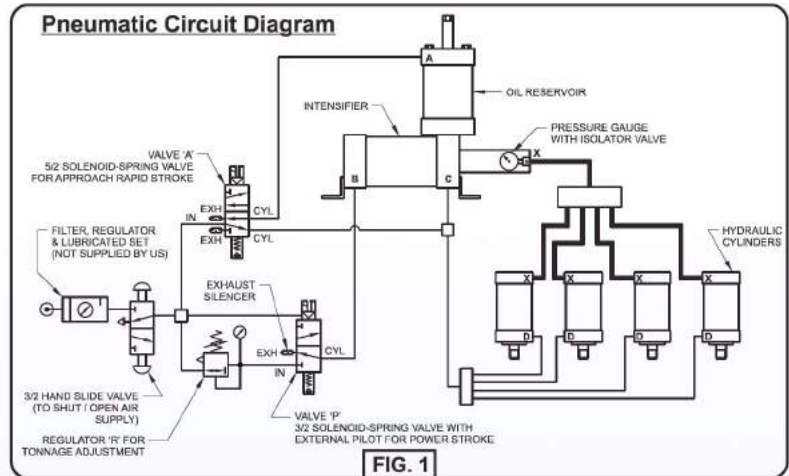
NIL	230 VAC
1	24 VDC

OPTIONAL FEATURES

A	AUTO CYCLING OF POWER STROKE
B	AUTOMATIC LUBRICATION
C	SAFETY LIGHT CURTAIN
D	POWER STROKE DEPTH CONTROL
FG	FOOT SWITCH WITH GUARD
FG2	HEAVY DUTY FOOT SWITCH
J	APPROACH RETURN DEPTH CONTROL
K	MANUAL PARKING FEATURE
L	LOW ENERGY SYSTEM
P	HYDRAULIC PRESSURE SWITCH
P1	PNEUMATIC PRESSURE SWITCH
PHN	INCHING FACILITY
Q	DUAL FORCE CIRCUIT
R	PRESSURE TRANSMITTER
T	TIMER OPERATED SOL. FOR POWER STROKE
V	PILOT CHECK VALVE
Y	TOOL LIFE & COMPONENT SENSING



Series 'Z' Hydro Pneumatic Systems



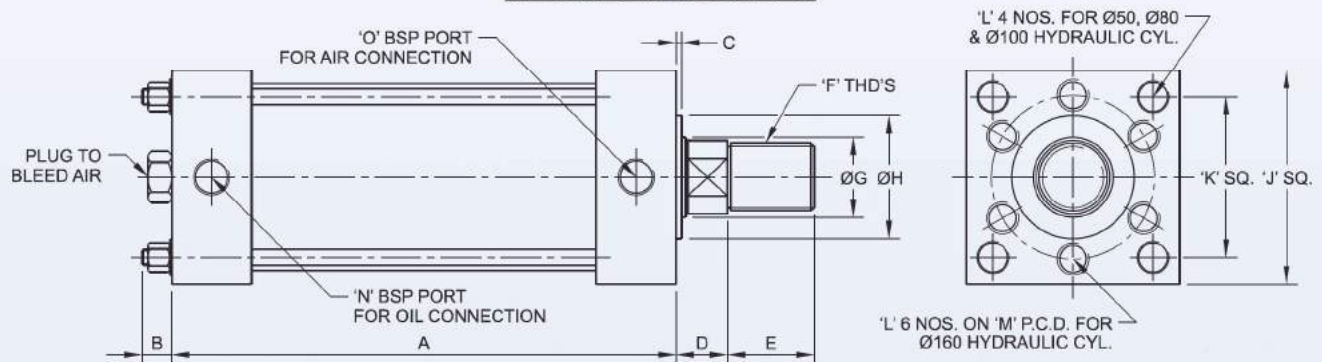
General Introduction

The series 'Z' Hydro Pneumatic System has been developed for the applications where two or more Cylinders have to be operated from a single Reservoir-Intensifier Power unit. They are also useful for applications requiring a large travel under load (large Power Stroke) and for applications where the length of our standard 'N' Series / 'A' Series Hydro Pneumatic Press Systems cannot be accommodated.

The systems consists of :-

- An integral Intensifier-Reservoir unit.
- Single or several Hydraulic Cylinders connected to the Intesifier-Reservoir unit through suitable high pressure flexible hoses and operated by solenoid valves as shown in circuit Fig. 1.

HYDRAULIC CYLINDER



Q = FREE AIR CONSUMPTION PER CYCLE (LITRES).

MODEL	FORCE (Kgf) & 5 BAR		OIL DISPLACEMENT (cu cm)		A	B	C	D	E	F	G Ø	H Ø	J	K	L	M	N BSP	O BSP	Q (NLPM)	SEAL KIT No.
	APPROACH	RETURN	PER mm TRAVEL	FOR TOTAL TRAVEL																
Z50-50	98	58	2	100	188	22	4	22	35	M24 x 2	32	45	88	57	M16 x 2	-	1/2"	1/4"	0.35	129-014
Z50-100	98	58	2	200	238	22	4	22	35	M24 x 2	32	45	88	57	M16 x 2	-	1/2"	1/4"	0.7	129-014
Z50-150	98	58	2	300	288	22	4	22	35	M24 x 2	32	45	88	57	M16 x 2	-	1/2"	1/4"	1.0	129-014
Z50-200	98	58	2	400	338	22	4	22	35	M24 x 2	32	45	88	57	M16 x 2	-	1/2"	1/4"	1.4	129-014
Z80-50	250	171	5	250	211	25	4	24	35	M36 x 2	45	60	125	86	M20 x 2.5	-	3/4"	1/4"	1.0	129-015
Z80-100	250	171	5	500	261	25	4	24	35	M36 x 2	45	60	125	86	M20 x 2.5	-	3/4"	1/4"	2.0	129-015
Z80-150	250	171	5	750	311	25	4	24	35	M36 x 2	45	60	125	86	M20 x 2.5	-	3/4"	1/4"	3.0	129-015
Z80-200	250	171	5	1000	361	25	4	24	35	M36 x 2	45	60	125	86	M20 x 2.5	-	3/4"	1/4"	4.0	129-015
Z100-50	392	269	8	400	223	30	4	24	35	M40 x 2	56	75	155	107	M24 x 3	-	3/4"	1/2"	1.6	129-016
Z100-100	392	269	8	800	273	30	4	24	35	M40 x 2	56	75	155	107	M24 x 3	-	3/4"	1/2"	3.2	129-016
Z100-150	392	269	8	1200	323	30	4	24	35	M40 x 2	56	75	155	107	M24 x 3	-	3/4"	1/2"	4.8	129-016
Z100-200	392	269	8	1600	373	30	4	24	35	M40 x 2	56	75	155	107	M24 x 3	-	3/4"	1/2"	6.4	129-016
Z160-50	1000	850	20	1000	238.5	45	4	29	40	M48 x 3	63	75	240	-	M30 x 3.5	135	1"	1/2"	5.0	129-017
Z160-100	1000	850	20	2000	288.5	45	4	29	40	M48 x 3	63	75	240	-	M30 x 3.5	135	1"	1/2"	10.0	129-017
Z160-150	1000	850	20	3000	338.5	45	4	29	40	M48 x 3	63	75	240	-	M30 x 3.5	135	1"	1/2"	15.0	129-017
Z160-200	1000	850	20	4000	388.5	45	4	29	40	M48 x 3	63	75	240	-	M30 x 3.5	135	1"	1/2"	20.0	129-017

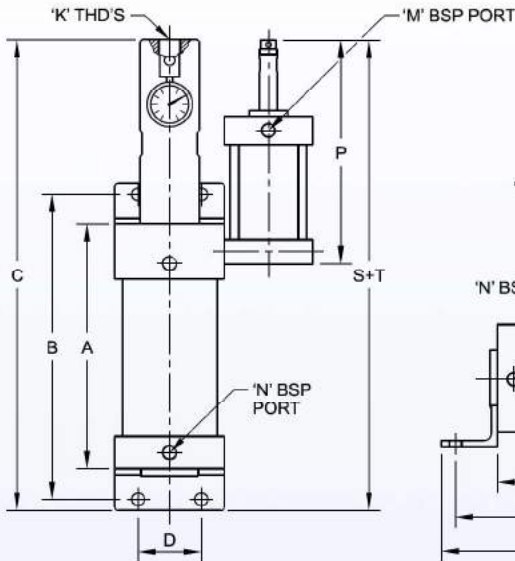
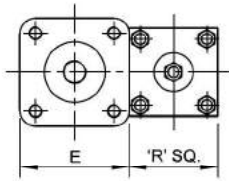


INTENSIFIER RESERVOIR UNIT

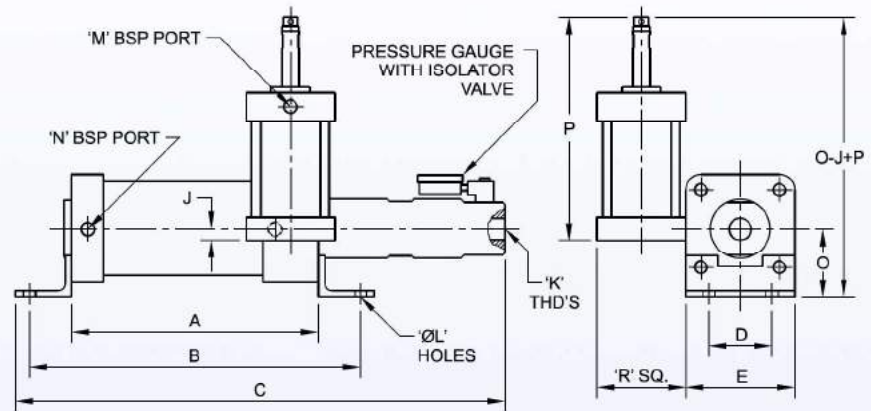


Reservoir

MODEL	VOLUMETRIC OIL DISPLACEMENT FOR APPROACH (cu. cm)	P	M BSP	R SQ.	T	Q FREE AIR CONSUMPTION PER CYCLE (NL)	SEAL KIT No.
R80-400	400	323	1/4"	98	310	2.3	129-010
R80-800	800	483	1/4"	98	470	4.5	129-010
R100-1200	1200	467	1/4"	118	454	7.0	129-011
R160-2200	2200	285	1/2"	185	267	10.8	129-012
R160-3000	3000	505	1/2"	185	487	18.0	129-012
R200-4700	4700	536	1/2"	227	518	28.2	129-013
R200-6000	6000	600	1/2"	227	582	36.1	129-013



Vertical Installation



Horizontal Installation

Intensifier

MODEL	RATIO	OUTPUT OIL PRESSURE @ 5 BAR	MAX. OIL DISPLACEMENT FOR POWER STROKE cu. cm	TONNAGE FOR HYD. CYL.				A	B	C	D	E	J	K BSP	L Ø	N BSP	O	S	Q FREE AIR CONS. PER CYCLE (NL)	SEAL KIT No.
				Z 50	Z 80	Z 100	Z 160													
80-14-200	32	160	27	3.1	8.0	12.5	X	347	433	597	63	98	19	1/2"	12	1/4"	63	373	11.8	129-001
80-14-400	32	160	57	3.1	8.0	12.5	X	547	633	997	63	98	19	1/2"	12	1/4"	63	573	23.7	129-001
80-20-200	16	80	55	1.5	4.0	6.2	X	347	433	597	63	98	19	1/2"	12	1/4"	63	373	11.6	129-002
80-20-400	16	80	117	1.5	4.0	6.2	X	547	633	997	63	98	19	1/2"	12	1/4"	63	573	23.4	129-002
100-16-200	39	195	35	3.8	9.8	15.3	X	353	439	603	75	118	19	1/2"	14	1/4"	71	382	18.6	129-018
100-16-400	39	195	75	3.8	9.8	15.3	X	553	639	1003	75	118	19	1/2"	14	1/4"	71	582	37.2	129-018
100-20-200	25	125	55	2.5	6.2	9.8	X	353	439	603	75	118	19	1/2"	14	1/4"	71	382	18.4	129-003
100-20-400	25	125	117	2.5	6.2	9.8	X	553	639	1003	75	118	19	1/2"	14	1/4"	71	582	37.0	129-003
100-28-200	12.5	64	107	1.2	3.2	5.0	X	353	439	603	75	118	19	1/2"	14	1/4"	71	382	18.1	129-004
100-28-400	12.5	64	230	1.2	3.2	5.0	X	553	639	1003	75	118	19	1/2"	14	1/4"	71	582	36.2	129-004
160-28-200	32	160	107	3.1	8.0	12.5	32.0	383	513	659	115	185	19	1/2"	18	1/2"	115	435	47.5	129-019
160-28-400	32	160	230	3.1	8.0	12.5	32.0	583	713	1059	115	185	19	1/2"	18	1/2"	115	635	95.0	129-019
160-32-200	25	125	140	2.5	6.2	9.8	25.0	383	513	659	115	185	19	3/4"	18	1/2"	115	435	47.2	129-005
160-32-400	25	125	300	2.5	6.2	9.8	25.0	583	713	1059	115	185	19	3/4"	18	1/2"	115	635	94.5	129-005
160-40-200	16	80	220	1.5	4.0	6.2	16.0	383	513	659	115	185	19	3/4"	18	1/2"	115	435	46.8	129-006
160-40-400	16	80	470	1.5	4.0	6.2	16.0	583	713	1059	115	185	19	3/4"	18	1/2"	115	635	93.5	129-006
200-32-200	39	195	140	3.8	9.8	15.3	39.0	392	532	673	135	227	19	3/4"	22	1/2"	115	449	74.4	129-007
200-32-400	39	195	300	3.8	9.8	15.3	39.0	592	732	1073	135	227	19	3/4"	22	1/2"	115	649	148.8	129-007
200-40-200	25	125	220	2.5	6.2	9.8	25.0	392	532	673	135	227	19	3/4"	22	1/2"	115	449	73.9	129-008
200-40-400	25	125	470	2.5	6.2	9.8	25.0	592	732	1073	135	227	19	3/4"	22	1/2"	115	649	147.6	129-008
200-56-200	12.5	63	430	1.2	3.1	5.0	12.7	392	532	673	135	227	19	3/4"	22	1/2"	115	449	72.5	129-009
200-56-400	12.5	63	923	1.2	3.1	5.0	12.7	592	732	1073	135	227	19	3/4"	22	1/2"	115	649	144.8	129-009

All India Sales & Service Network

MERCURY



Mercury Website



About Us



All Products



Contact Us

• Ahmedabad • Aurangabad • Bangalore • Chandigarh • Chennai • Coimbatore • Hyderabad • Indore
• Jaipur • Kochi • Kolhapur • Kolkata • Mumbai • Nashik • New Delhi • Pune