



Power Press Product's Rotorseal Coupling

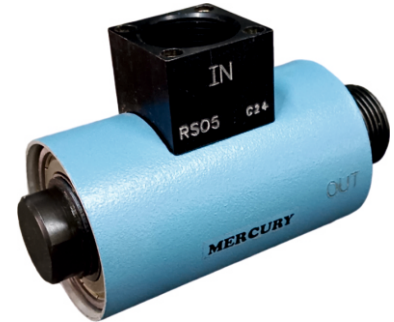


Mechanical Characteristic

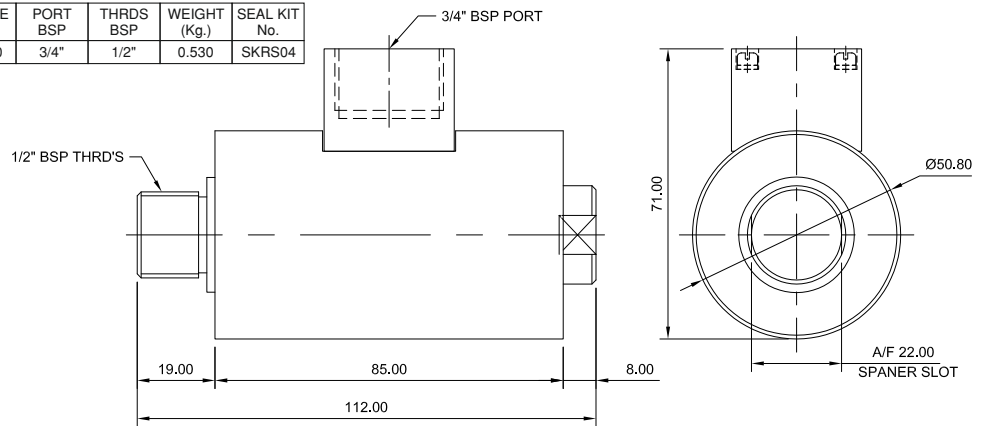
| | |
|---------|---------------------------|
| Body | : Aluminium |
| Orifice | : Refer to Technical data |
| Ports | : Refer to Technical data |
| Seals | : Nitrile Rubber |
| Weight | : Refer to Technical data |
| RPM | : 400 Max |

Operating Conditions

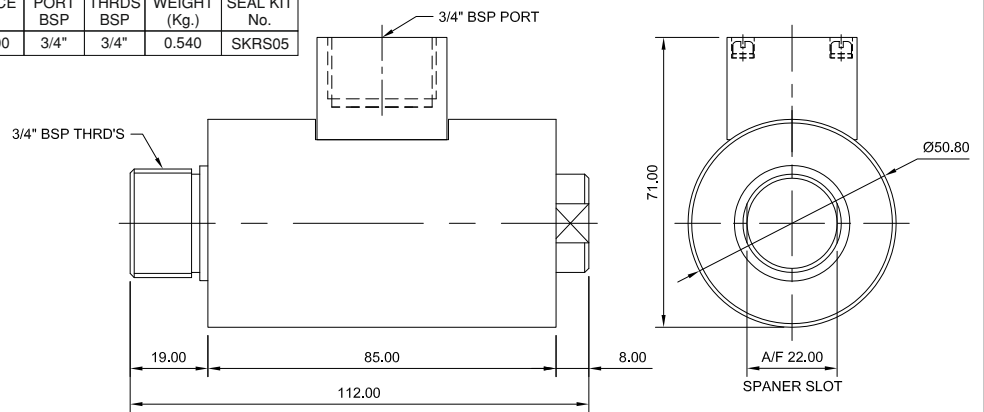
| | |
|-------------------|--|
| Media | : Air (filtered 40 μ & lubricated) |
| Temperature Range | : +5° to +50°C |
| Pressure Range | : 3 to 10 bar |



| MODEL No. | DESCRIPTION | ORIFICE mm | PORT BSP | THRDS BSP | WEIGHT (Kg.) | SEAL KIT No. |
|-----------|-----------------------------|------------|----------|-----------|--------------|--------------|
| RS04 | 1/2" BSP ROTORSEAL COUPLING | Ø19.00 | 3/4" | 1/2" | 0.530 | SKRS04 |



| MODEL No. | DESCRIPTION | ORIFICE mm | PORT BSP | THRDS BSP | WEIGHT (Kg.) | SEAL KIT No. |
|-----------|-----------------------------|------------|----------|-----------|--------------|--------------|
| RS05 | 3/4" BSP ROTORSEAL COUPLING | Ø19.00 | 3/4" | 3/4" | 0.540 | SKRS05 |



| MODEL No. | DESCRIPTION | ORIFICE mm | PORT BSP | THRDS BSP | WEIGHT (Kg.) | SEAL KIT No. |
|-----------|---------------------------|------------|----------|-----------|--------------|--------------|
| RS06 | 1" BSP ROTORSEAL COUPLING | Ø25.00 | 1" | 1" | 0.870 | SKRS06 |

