



Single Acting Air Return Cylinder

For Power Press



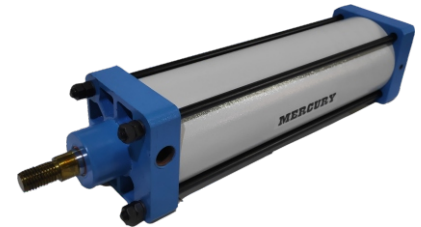
Mechanical Characteristic

Barrel	: Mild Steel
Piston Rod	: Carbon Steel
End Cover & Piston	: C.I Casting
Seals	: Nitrile Rubber
Type	: Single Acting air return
Cushioning	: Fixed

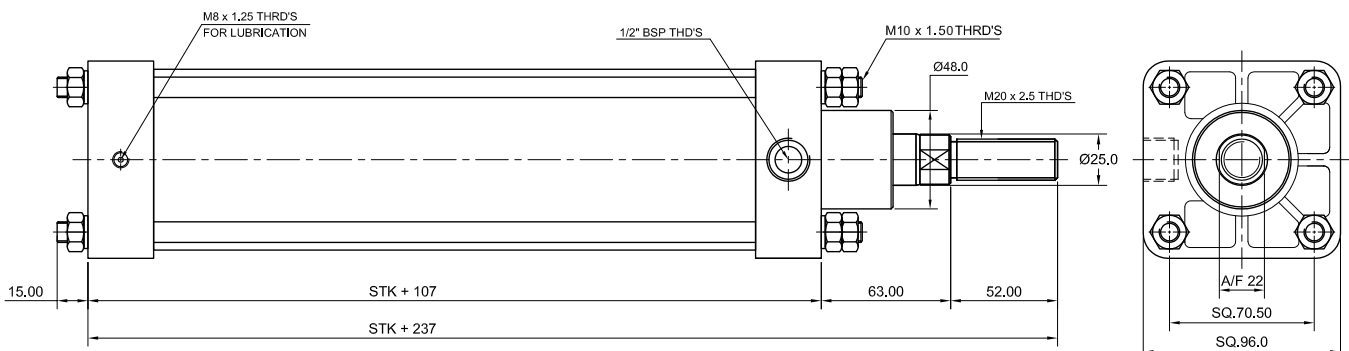
Bore	Stroke
Ø80	: 200, 225, 275, 300 & 350mm.
Ø100	: 300 & 325mm.
Ø125	: 350mm.
Ø160	: 300, 375, 400, 450 & 500mm.
Ø200	: 450 & 500mm.

Operating Conditions

Media	: Air (filtered 40 μ & lubricated)
Temperature Range	: +5° to +50°C
Pressure Range	: 1 to 10 bar
Leakage	: Bubble Tight

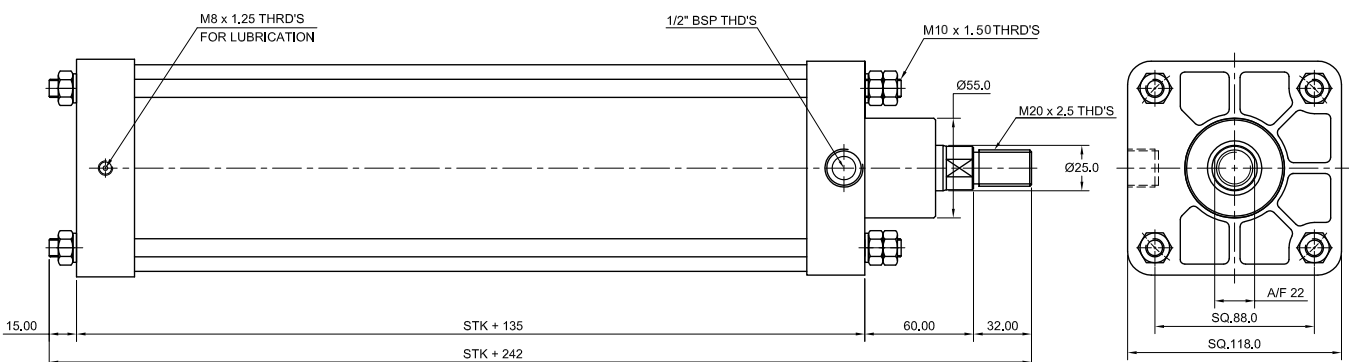


Dimensional Layout



MODEL No.	DESCRIPTION	SYMBOL	SEAL KIT No.
SPC1098-XXX	Ø80 SINGLE ACTING AIR RETURN CYLINDER		69-092

Note : XXX - Stroke



MODEL No.	DESCRIPTION	SYMBOL	SEAL KIT No.
SPC1097-XXX	Ø100 SINGLE ACTING AIR RETURN CYLINDER		69-089

Note : XXX - Stroke

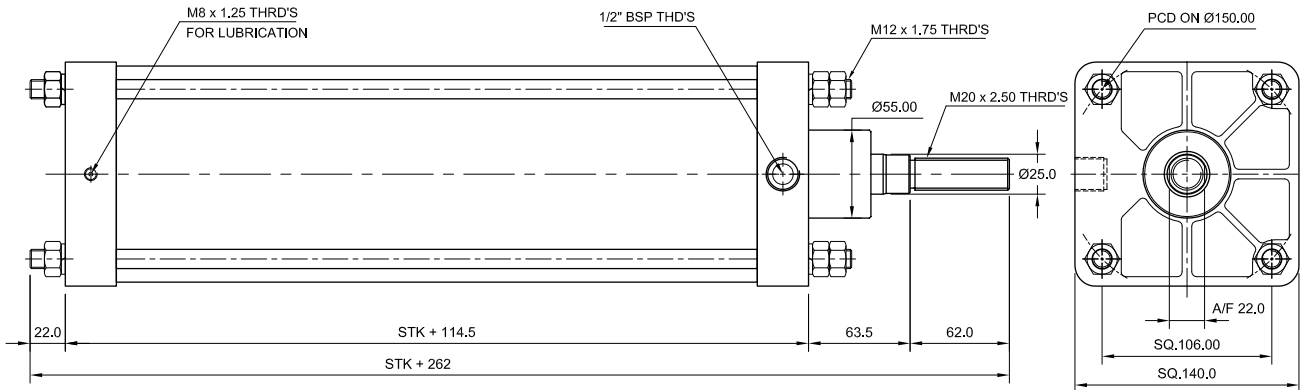


Single Acting Air Return Cylinder

For Power Press

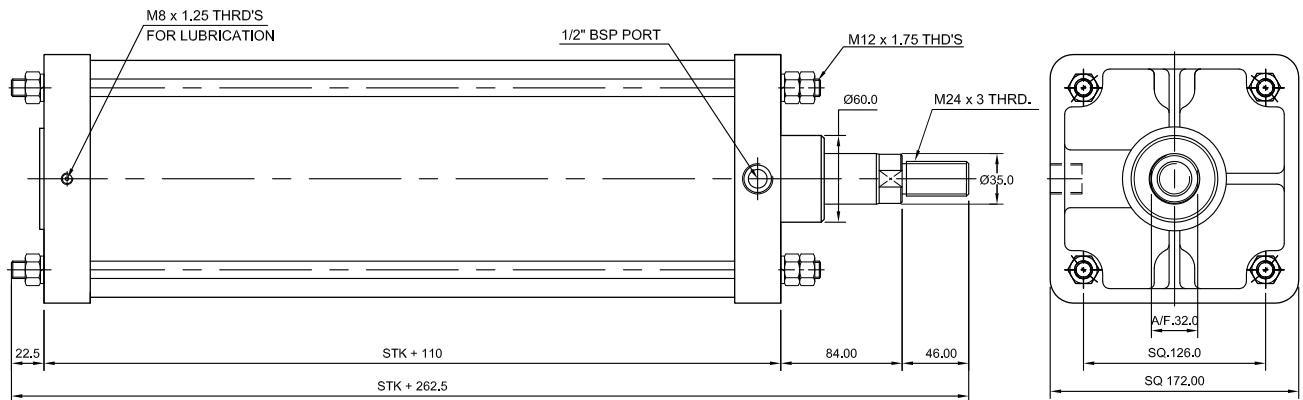


Dimensional Layout



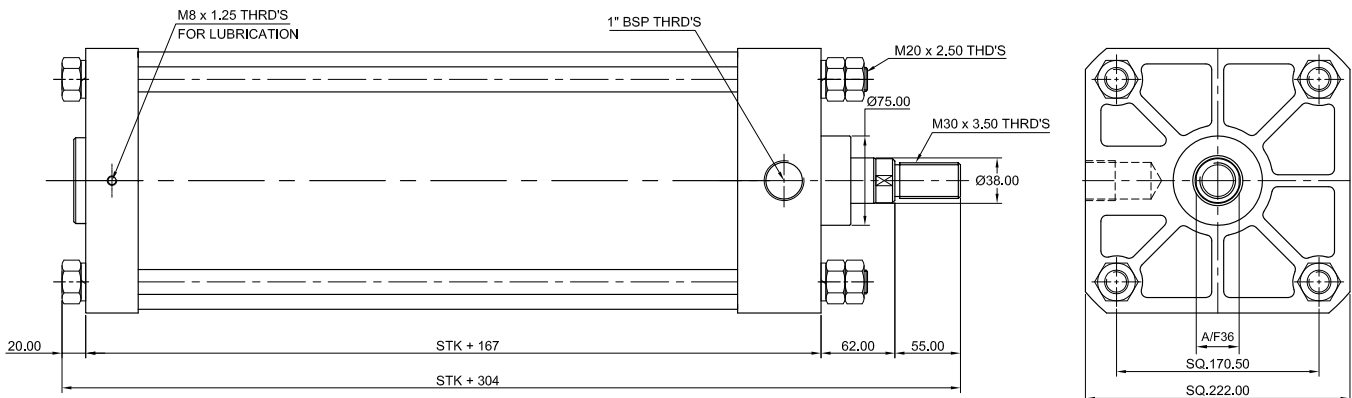
MODEL No.	DESCRIPTION	SYMBOL	SEAL KIT No.
SPC1139-XXX	Ø125 SINGLE ACTING AIR RETURN CYLINDER		69-127

Note : XXX - Stroke



MODEL No.	DESCRIPTION	SYMBOL	SEAL KIT No.
SPC1117-XXX	Ø160 SINGLE ACTING AIR RETURN CYLINDER		69-101

Note : XXX - Stroke



MODEL No.	DESCRIPTION	SYMBOL	SEAL KIT No.
SPC1122-XXX	Ø200 SINGLE ACTING AIR RETURN CYLINDER		69-115

Note : XXX - Stroke