



'CH' Series High Pressure Cylinder

For Pet Blow Moulding Machines



Mechanical Characteristic

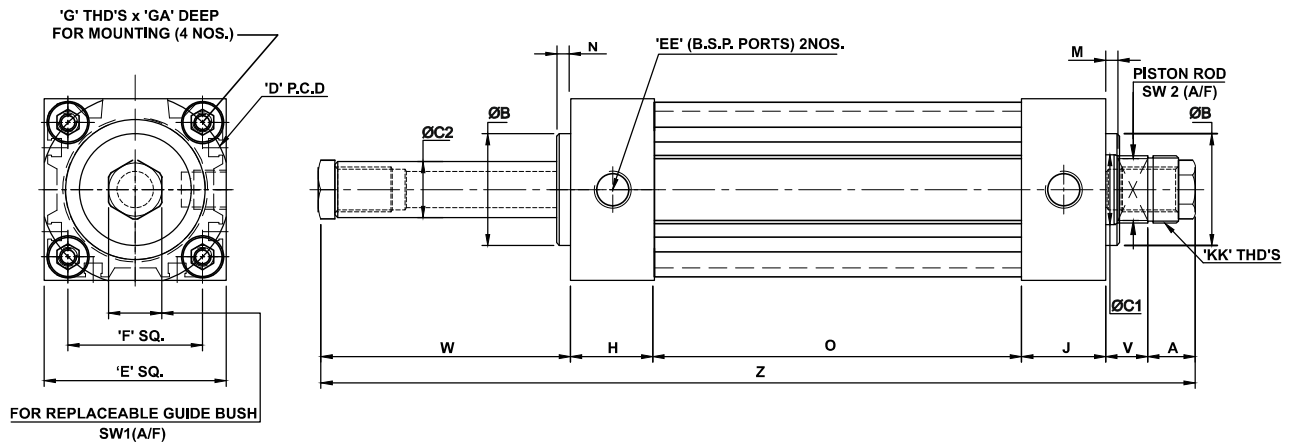
Barrel	: Aluminium
Piston Rod	: Carbon Steel
End Cover & Piston	: Aluminium
Seal	: Nitrile Rubber
Bore	: Ø50, Ø63, Ø80, Ø100 & Ø125mm

Operating Conditions

Media	: Air (filtered 40µ & lubricated)
Temperature Range	: +5° to +50°C
Pressure Range	: 1 to 20 bar
Leakage	: Bubble Tight



CH 50 CYLINDER :



MODEL No.	PISTON Ø (mm)	A	ØB	ØC1	ØC2	D (P.C.D.)	E SQ.	EE (B.S.P.)	F SQ.	G	GA	H	J	KK	M	N	O	SW 1	SW 2	V	W	Z
CH50-25(XX)HP	50	17	40	25	20	68.00	65	1/4"	48	M6	17	30	30	M24x1.5	5	4	81	19	22	15	40	213
CH50-50(XX)HP	50	17	40	25	20	68.00	65	1/4"	48	M6	17	30	30	M24x1.5	5	4	106	19	22	15	65	263
CH50-75(XX)HP	50	17	40	25	20	68.00	65	1/4"	48	M6	17	30	30	M24x1.5	5	4	131	19	22	15	90	313
CH50-100(XX)HP	50	17	40	25	20	68.00	65	1/4"	48	M6	17	30	30	M24x1.5	5	4	156	19	22	15	115	363
CH50-115(XX)HP	50	17	40	25	20	68.00	65	1/4"	48	M6	17	30	30	M24x1.5	5	4	171	19	22	15	130	393
CH50-125(XX)HP	50	17	40	25	20	68.00	65	1/4"	48	M6	17	30	30	M24x1.5	5	4	181	19	22	15	140	413
CH50-150(XX)HP	50	17	40	25	20	68.00	65	1/4"	48	M6	17	30	30	M24x1.5	5	4	206	19	22	15	165	463

NOTE :- XX = Ø12, Ø14, Ø16, Ø20 guide bush as per requirement.

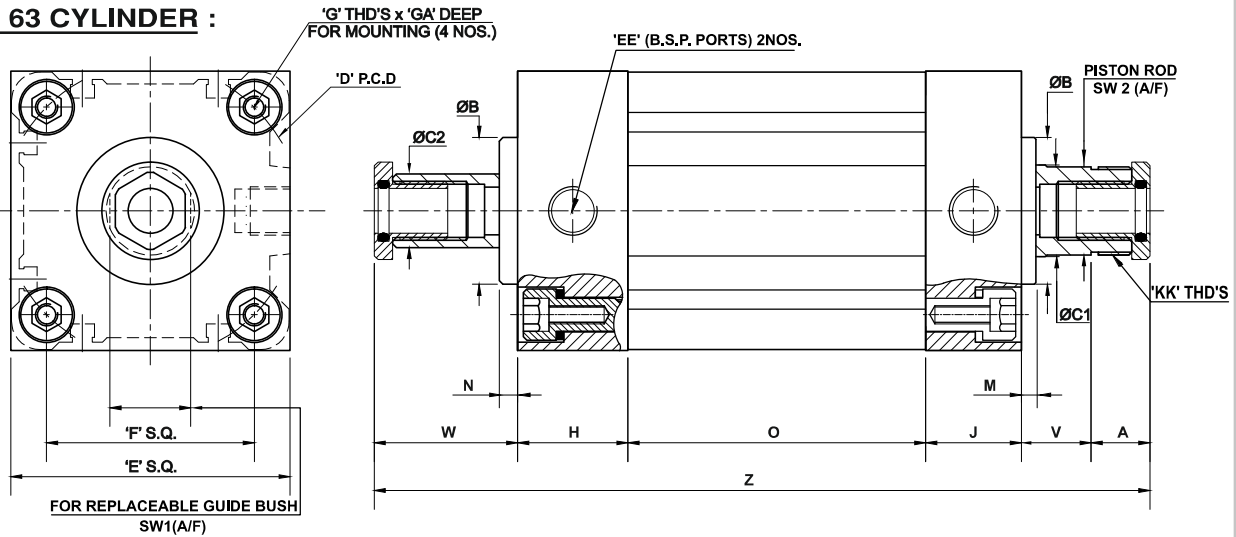


'CH' Series High Pressure Cylinder

For Pet Blow Moulding Machines



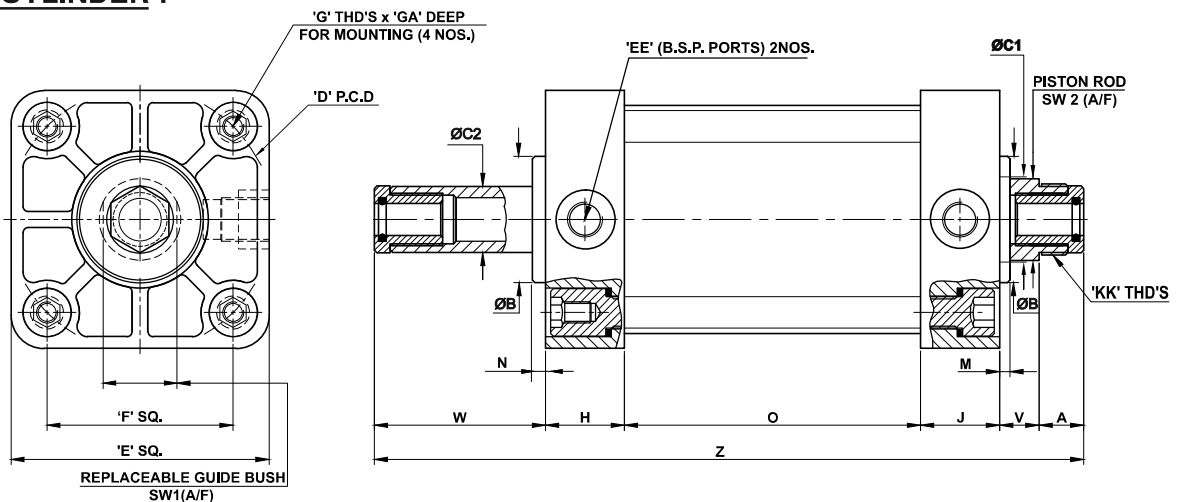
CH 63 CYLINDER :



MODEL No.	PISTON Ø (mm)	A	ØB	ØC1	ØC2	D (P.C.D.)	E SQ.	EE (B.S.P.)	F SQ.	G	GA	H	J	KK	M	N	O	SW 1	SW 2	V	W	Z
CH63-25(XX)HP	63	17	40	25	20	79.90	76	1/4"	56.5	M6	17	30	26	M24x1.5	4	5	81	19	22	19	39	213
CH63-50(XX)HP	63	17	40	25	20	79.90	76	1/4"	56.5	M6	17	30	26	M24x1.5	4	5	106	19	22	19	64	263
CH63-100(XX)HP	63	17	40	25	20	79.90	76	1/4"	56.5	M6	17	30	26	M24x1.5	4	5	156	19	22	19	114	363
CH63-115(XX)HP	63	17	40	25	20	79.90	76	1/4"	56.5	M6	17	30	26	M24x1.5	4	5	171	19	22	19	129	393
CH63-125(XX)HP	63	17	40	25	20	79.90	76	1/4"	56.5	M6	17	30	26	M24x1.5	4	5	181	19	22	19	139	413
CH63-150(XX)HP	63	17	40	25	20	79.90	76	1/4"	56.5	M6	17	30	26	M24x1.5	4	5	206	19	22	19	164	463

NOTE :- XX = Ø12, Ø14, Ø16, Ø20 guide bush as per requirement.

CH 80 CYLINDER :



MODEL No.	PISTON Ø (mm)	A	ØB	ØC1	ØC2	D (P.C.D.)	E SQ.	EE (B.S.P.)	F SQ.	G	GA	H	J	KK	M	N	O	SW 1	SW 2	V	W	Z
CH80-25(XX)HP	80	17	48	32	25	100.00	98	1/4"	70.7	M8	15	30	29	M27x2.0	4	5	87.5	—	28	16	39.7	219.5
CH80-50(XX)HP	80	17	48	32	25	100.00	98	1/4"	70.7	M8	15	30	29	M27x2.0	4	5	112.5	—	28	16	64.7	269.5
CH80-100(XX)HP	80	17	48	32	25	100.00	98	1/4"	70.7	M8	15	30	29	M27x2.0	4	5	162.5	—	28	16	114.7	369.5
CH80-115(XX)HP	80	17	48	32	25	100.00	98	1/4"	70.7	M8	15	30	29	M27x2.0	4	5	177.5	—	28	16	129.7	399.5
CH80-150(XX)HP	80	17	48	32	25	100.00	98	1/4"	70.7	M8	15	30	29	M27x2.0	4	5	212.5	—	28	16	164.7	469.5

NOTE :- Please ask for layout drawing for blank dimensions.

XX = Ø12, Ø14, Ø16, Ø20 guide bush as per requirement.

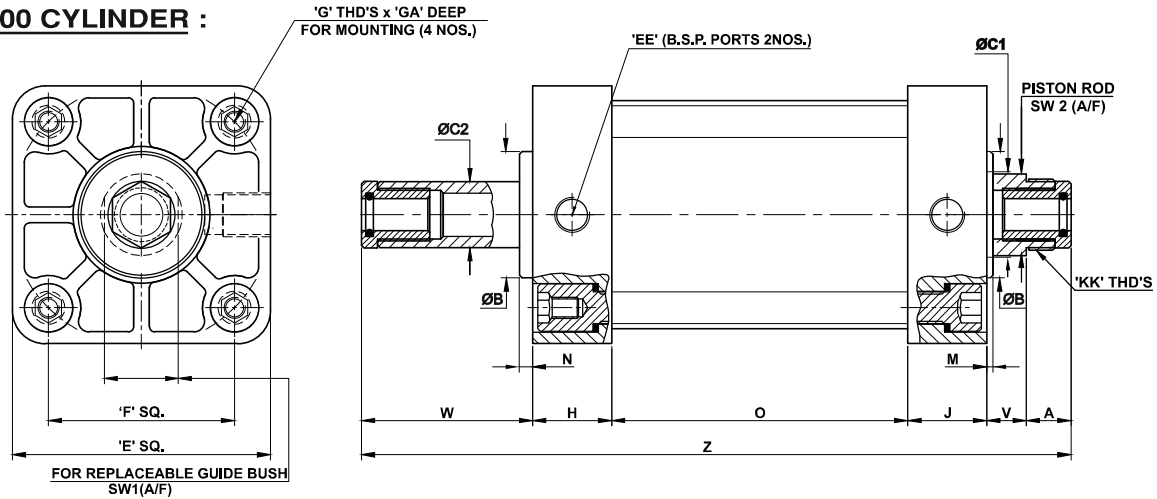


'CH' Series High Pressure Cylinder

For Pet Blow Moulding Machines



CH 100 CYLINDER :

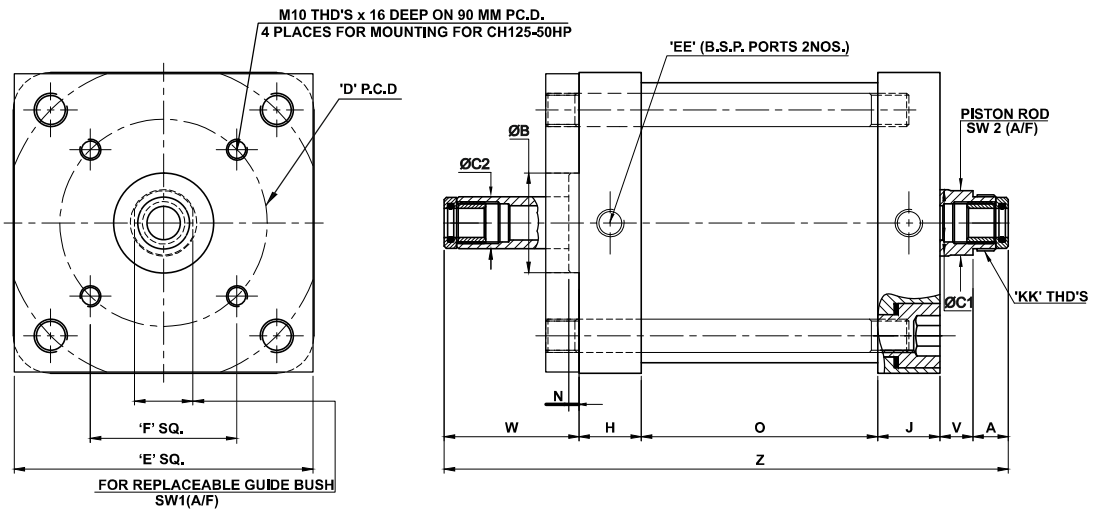


MODEL No.	PISTON Ø (mm)	A	ØB	ØC1	ØC2	D (P.C.D.)	E SQ.	EE (B.S.P.)	F SQ.	G	GA	H	J	KK	M	N	O	SW 1	SW 2	V	W	Z
CH100-25(XX)HP	100	17	48	32	25	132.00	118	1/4"	93.3	M8	15	30	28	M27x2.0	2	5	87.8	—	28	17	39.7	219.5
CH100-50(XX)HP	100	17	48	32	25	132.00	118	1/4"	93.3	M8	15	30	28	M27x2.0	2	5	112.8	—	28	17	64.7	269.5
CH100-60(XX)HP	100	17	48	32	25	132.00	118	1/4"	93.3	M8	15	30	28	M27x2.0	2	5	122.8	—	28	17	74.7	289.5
CH100-100(XX)HP	100	17	48	32	25	132.00	118	1/4"	93.3	M8	15	30	28	M27x2.0	2	5	162.8	—	28	17	114.7	369.5
CH100-115(XX)HP	100	17	48	32	25	132.00	118	1/4"	93.3	M8	15	30	28	M27x2.0	2	5	177.8	—	28	17	129.7	399.5
CH100-125(XX)HP	100	17	48	32	25	132.00	118	1/4"	93.3	M8	15	30	28	M27x2.0	2	5	187.8	—	28	17	139.7	419.5
CH100-150(XX)HP	100	17	48	32	25	132.00	118	1/4"	93.3	M8	15	30	28	M27x2.0	2	5	212.8	—	28	17	164.7	469.5

NOTE :- Please ask for layout drawing for blank dimensions.

XX = Ø12, Ø14, Ø16, Ø20 guide bush as per requirement.

CH 125 CYLINDER :



MODEL No.	PISTON Ø (mm)	A	ØB	ØC1	ØC2	D (P.C.D.)	E SQ.	EE (B.S.P.)	F SQ.	G	GA	H	J	KK	M	N	O	SW 1	SW 2	V	W	Z
CH125-50(XX)HP	125	17	48	32	25	100.00	145	1/4"	109	M10	16	30	30	M27x2.0	5	5	114	—	28	16	64	272
CH125-150(XX)HP	125	17	48	32	25	100.00	145	1/4"	109	M10	16	30	30	M27x2.0	5	5	214	—	28	16	64	472

NOTE :- Please ask for layout drawing for blank dimensions.

XX = Ø12, Ø14, Ø16, Ø20 guide bush as per requirement.

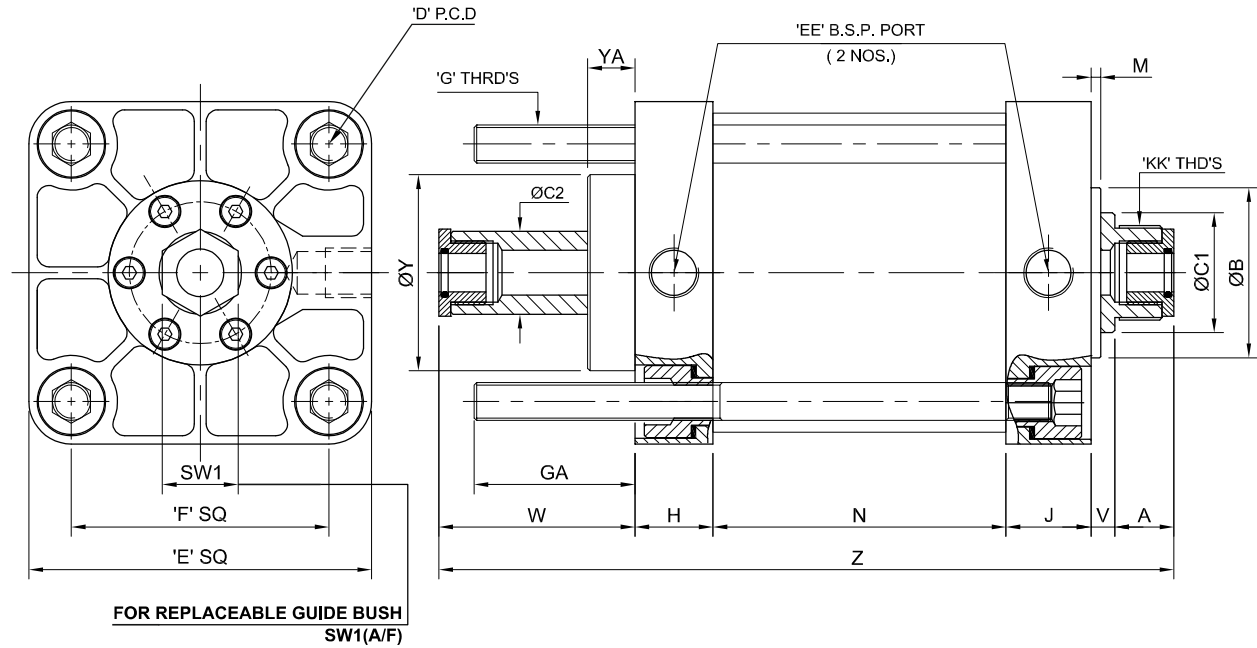


'CH' Series High Pressure Cylinder

For Pet Blow Moulding Machines



CH125 CYLINDER :



MODEL No.	PISTON Ø (mm)	A	ØB	ØC1	ØC2	D (P.C.D.)	E SQ.	EE (B.S.P.)	F SQ.	G	GA	H	J	KK	M	N	SW 1	V	W	ØY	YA	Z
CH125-60(XX)HP	125	26	72	50.8	35	154.15	145	1/2"	109	M16x2.0	68	33	36	M40x2.0	4	124	—	10	83	78	20	312

NOTE :- Please ask for layout drawing for blank dimensions.

XX = Ø12, Ø14, Ø16, Ø20 guide bush as per requirement.