



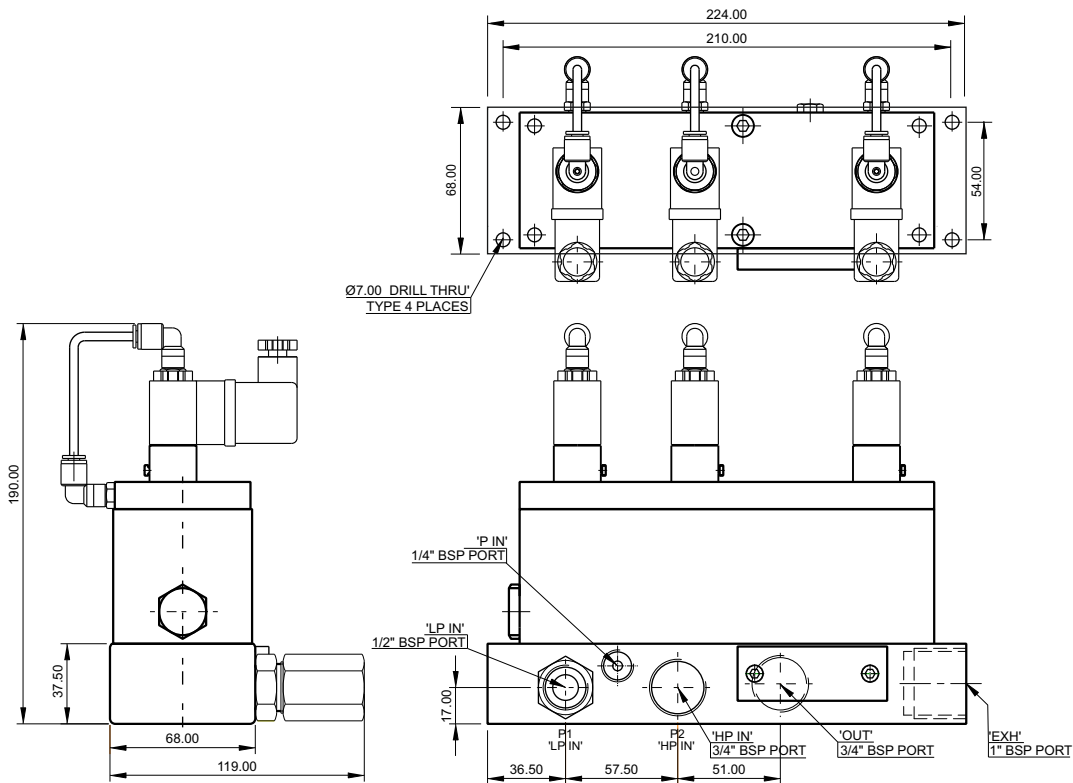
# Poppet Type Solenoid Valves Series DP



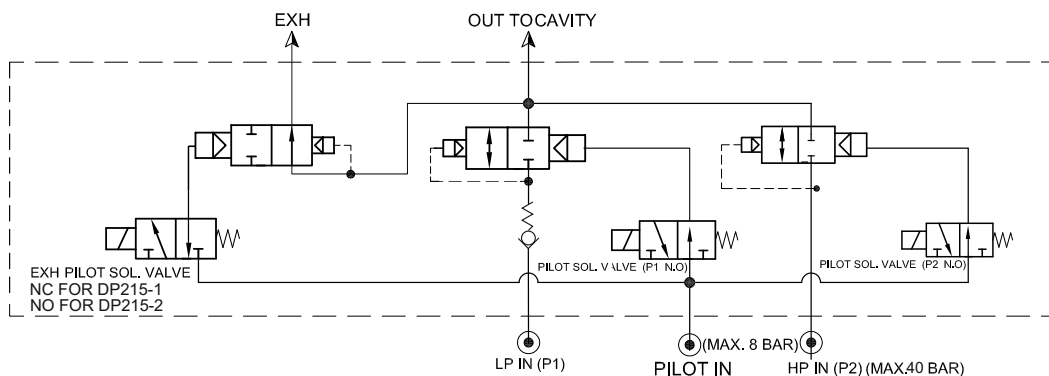
Mechanical Characteristic	
Body	: Aluminum
Orifice	: LP-12mm, H.P-16mm, EXH- 24mm
Ports	: Refer technical data.
Seals	: Polymer
Design	: Poppet type, external pilot operated.
Weight	: DP215-1/2 :-3.60 kg, DP215-1R/2R :-4.60kg DP215-1RS/2RS :-6.60kg
Operating Conditions	
Media	: Air (filtered 40 $\mu$ )
Temperature Range	: +5 to +50°C
Pressure Range	: <b>Pilot</b> :- 6 to 8bar <b>LP</b> :- 2 to 20bar, <b>HP</b> :- 3 to 40bar
Leakage	: Bubble Tight
Electrical Conditions	
Coil Voltage	: 230 VAC / 24 VDC
Power	: DC-3W; AC-5W Hold
Duty Cycle	: Continuous
Protection	: IP 65 (as per DIN 40 050)
Connector	: Illuminated



## 3/4" PET BLOW VALVE MODEL :- DP215-1/ DP 215-2



## CIRCUIT DIAGRAM MODEL :- DP215-1/DP215-2

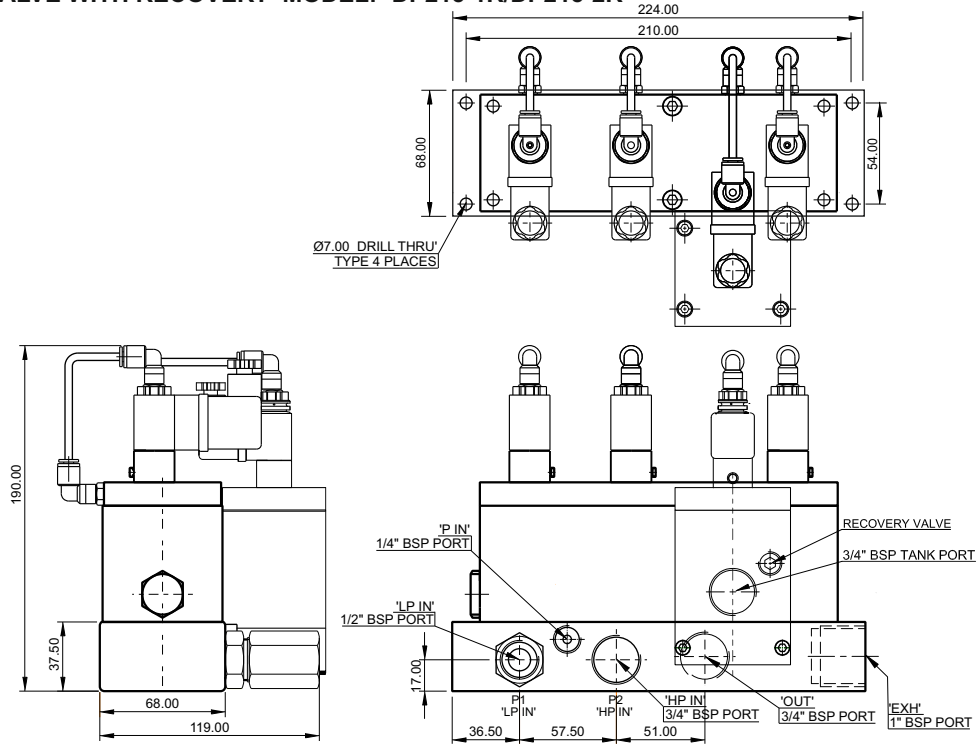




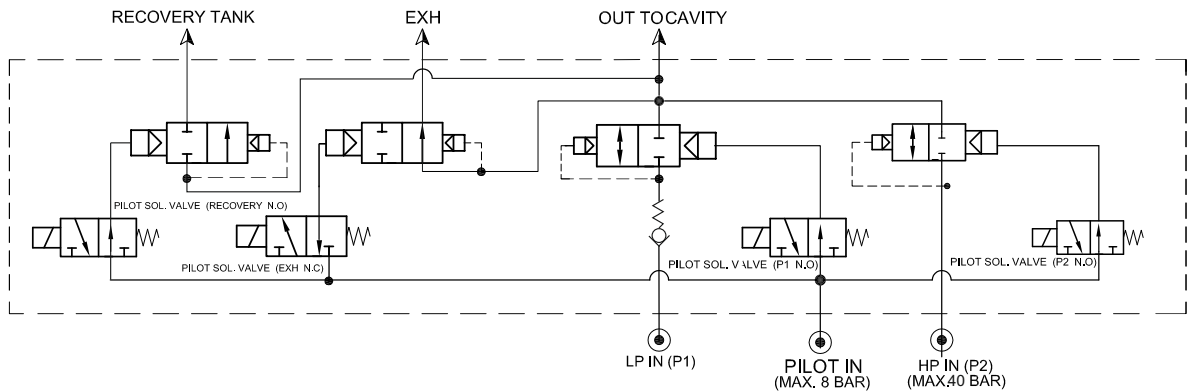
# Poppet Type Solenoid Valves Series DP



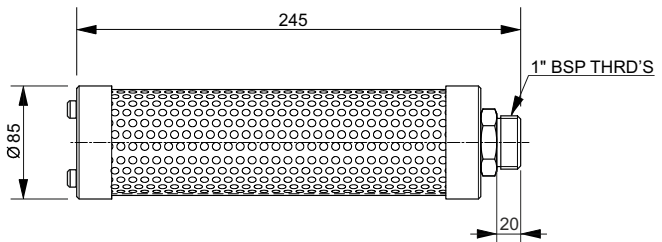
## 3/4" PET BLOW VALVE WITH RECOVERY MODEL:- DP215-1R/DP215-2R



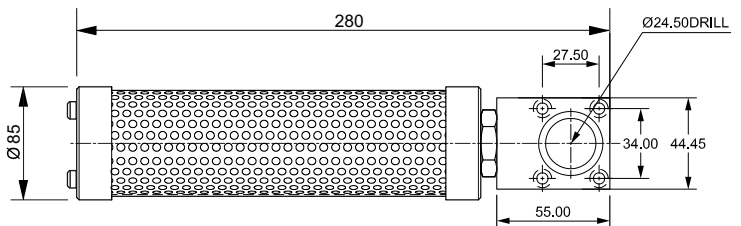
## CIRCUIT DIAGRAM MODEL:- DP215-1R/DP215-2R



## 1" BSP 40 BAR SILENCER :- MODEL- SL26H



## 1" BSP 40 BAR SILENCER WITH VALVE MOUNTING BLOCK



### TECHNICAL DATA FOR SILENCER

Hose Pressure	:- 40 bar
Operating Temperature	:- 0 to 60° C
Sound level	:- ≤ 80 dB
Weight	:- 0.8 Kgs

Note:- Due to constant improvements, dimensions and technical specifications are subjected to change without notice.