



Digital Pressure Switch

(DPS 3015)



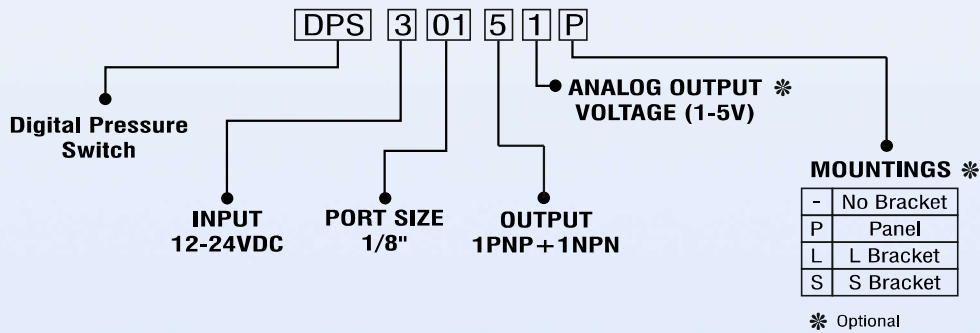
Pressure within range display



Pressure outside range display

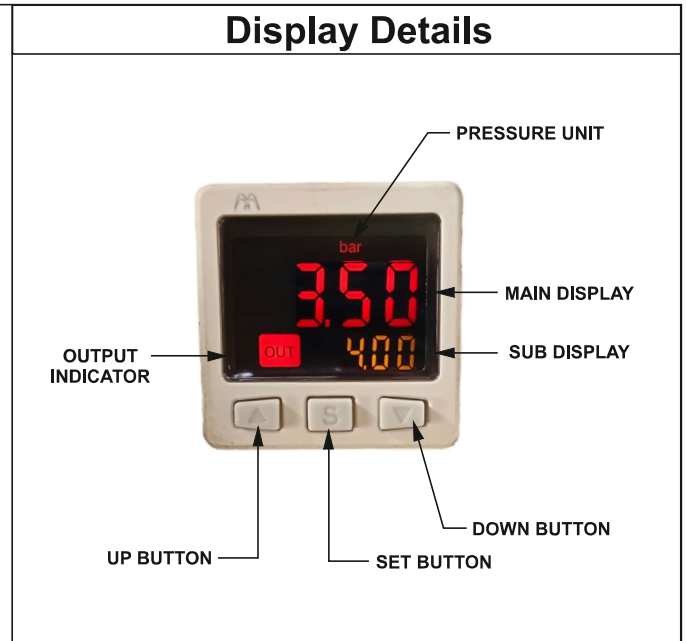
Salient Features

- Set pressure unit selectable (Psi, Bar, Mpa, mmHg)
- Rated pressure range: -1 to 10 bar
- Voltage range: 12-24VDC \pm 10%
- Independent setting for upper & lower pressure limits
- NPN + PNP open collector outputs
- Analog output (1-5V) optional
- Different mounting options available (Panel, L Bracket & S Bracket)
- Easy to set and use



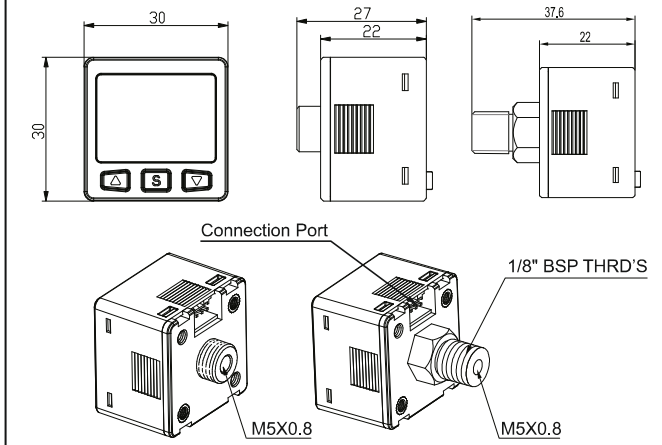


Technical Specifications	
Model No	DPS 3015
Port Size	1/8" BSP / Internal thread M5
Rated Pressure Range	-1 ~ 10 bar
Operating Pressure Range	-1 ~ 10 bar
Maximum Pressure	15 bar
Measurement Modes	Easy Mode
	Hysteresis Mode
	Compare Mode of Upper & Lower Bands
Fluid	Air
Voltage Range	12-24VDC ± 10%
Current Consumption	40mA max (non-load)
Transistor Output	NPN / PNP open-collector output Output Current : 80mA MAX
Response time	Adjustable : MIN, 2.5mS
Analog Output (Voltage)	1-5V, Load resistance ≥ 1KΩ
IP Level	IP 40
Ambient Temperature	Operation : 0 ~ 50°C, Storage : -20 ~ 60°C
Ambient Humidity Range	Operating humidity 35 ~ 85% RH
Insulation Voltage	1000VAC
Insulation Resistance	≥ 50MΩ, 500VDC
Shock	Max 100m/s ² , 3 times each in direction of X, Y & Z
Vibration	Amplitude 1.5mm, 10Hz~500Hz, 2 hours each direction of X, Y & Z

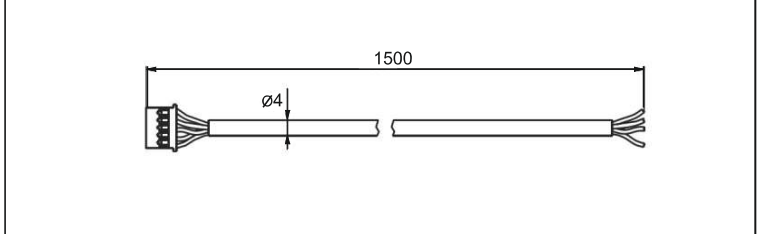


Mounting Dimensions

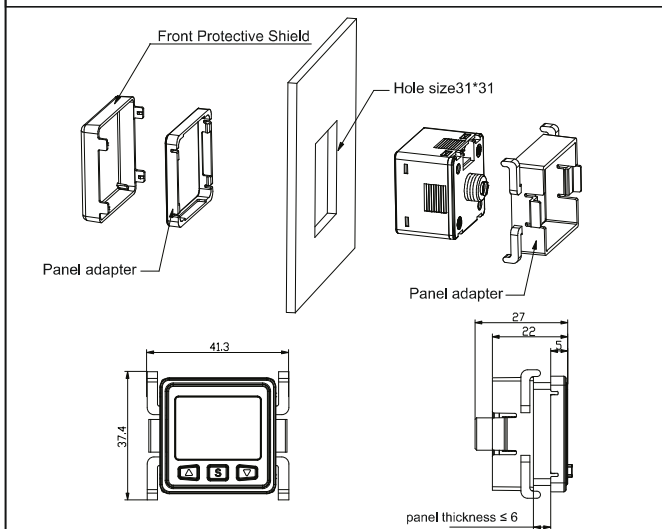
Overall Dimensions & Connection Port



Wire Dimensions



Panel Mounting Dimensions



Bracket Mountings

