

**MERCURY**

Leadership through innovation

Autolube Pumps

Positive, programmed lubrication of compressed air equipment, machine slides, bearing etc.

**MODEL : ALP1****MODEL : ALS1****MODEL : ALAD1****MODEL : ALS2****MODEL : ALP1G & ALS1G**

Salient Features

- **Efficient lubrication** : Oil outlet can be connected at the actual point where lubrication is required.
- **Guaranteed lubrication** : Not dependent on flow rate of compressed air.
- **Positive lubrication** : Oil is injected at high pressure, ensuring lubrication of restricted areas,
- **Programmed lubrication** : Adjustable frequency (hence quantity) of lubrication to suit different machine speeds.

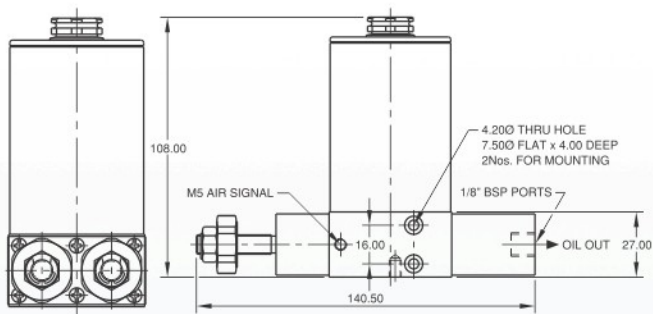
Mercury Pneumatics Pvt. Ltd.

C-105, Ansa Industrial Estate, Saki Vihar Rd, Andheri (E),
Mumbai - 400072. India. Phone: +91-22-40151020

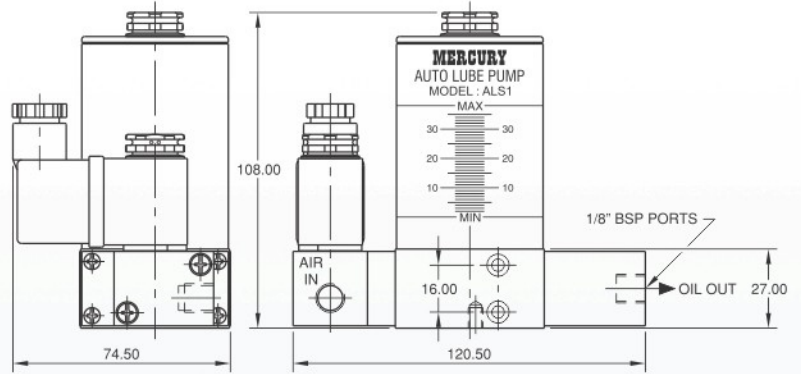
E-mail: contactus@mercuryindia.net Website: www.mercuryindia.net

TECHNICAL DATA

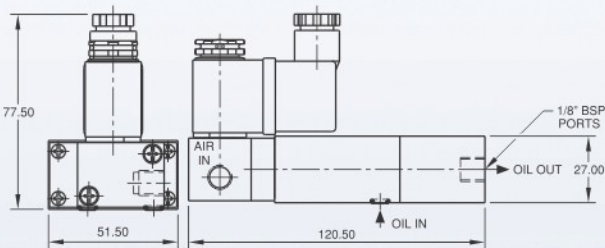
MANUALLY OPERATED MODEL :- ALAD1



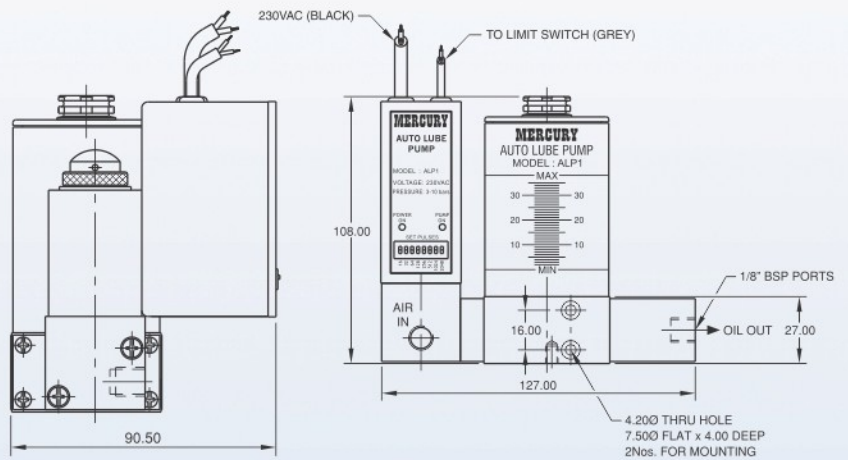
SOLENOID OPERATED WITH OIL RESERVOIR MODEL :- ALS1



SOLENOID OPERATED WITHOUT OIL RESERVOIR MODEL :- ALS2



PULSE OPERATED MODEL :- ALP1



MULTI POINT LUBRICATION

PULSE OPERATED MODEL :- ALPG-XXX

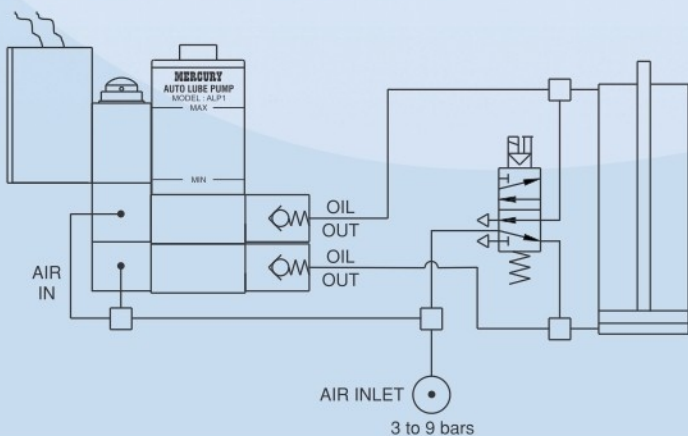
MANUALLY OPERATED MODEL :- ALMG-XXX



- XXX :- SPECIFY No. OF PUMPS.

- Input Air Pressure : 3 to 9Kg/cm²
- Output oil discharge/stroke : 0.06 c.c./stroke
(approximately 2 drops)
- Reservoir volume : 70 c.c. (Larger reservoirs available on request)
- Input Voltage : 230VAC for Pulse operated
230VAC or 24VDC for Solenoid operated
- Pulse frequency adjustment : 16, 32, 64, 128, 256, 512, 1024 & 2048
- Pulse duration : 1sec
- Pulse Signal : Voltage free make & break through limit switch

CIRCUIT DIAGRAM FOR LUBRICATING COMPRESSED AIR EQUIPMENT



CIRCUIT DIAGRAM FOR MACHINE SLIDES & BEARINGS, MULTI POINT LUBRICATION

