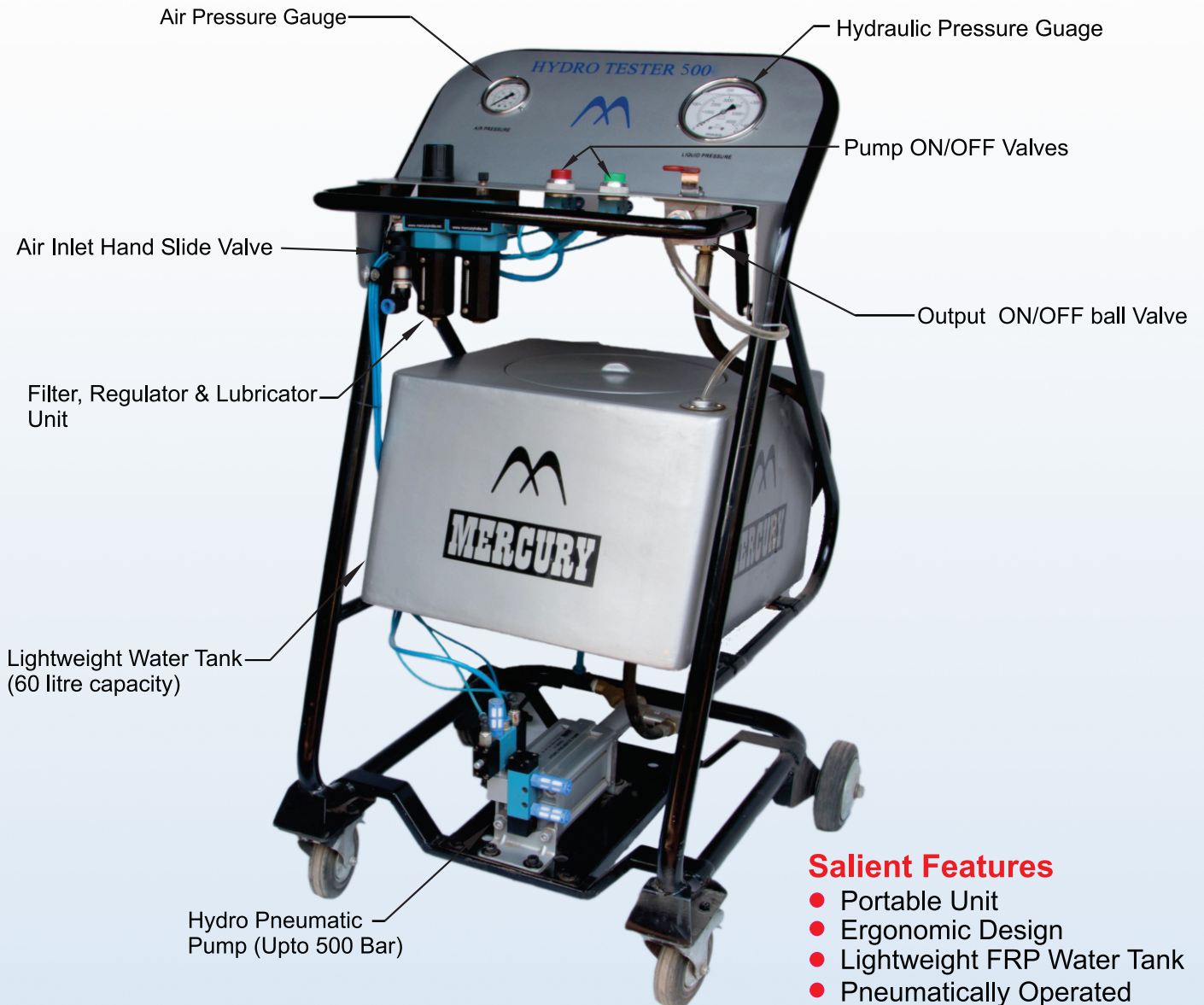




Leadership through innovation

Hydro Tester 500

PORTABLE PRESSURE TESTING UNIT



Salient Features

- Portable Unit
- Ergonomic Design
- Lightweight FRP Water Tank
- Pneumatically Operated
- Pressure Upto 500 Bar
- Entire pressure testing Circuit Inbuilt
- Light weight & easy to handle
- Robust construction

Mercury Pneumatics Pvt. Ltd.

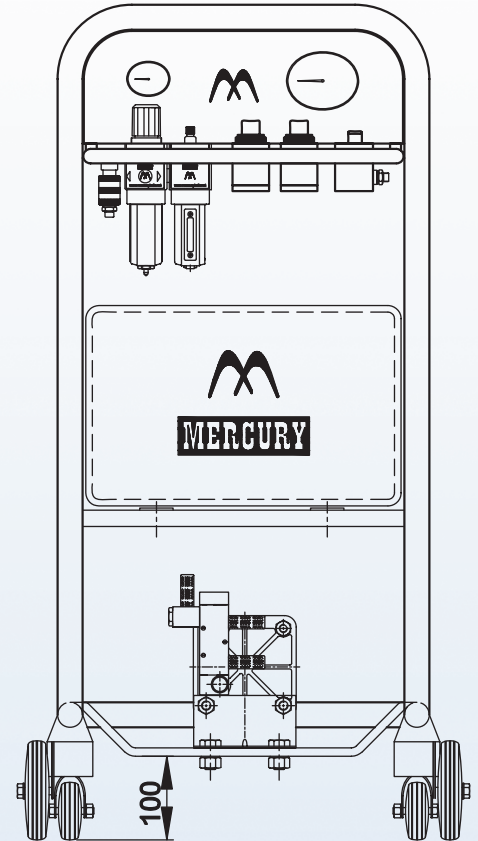
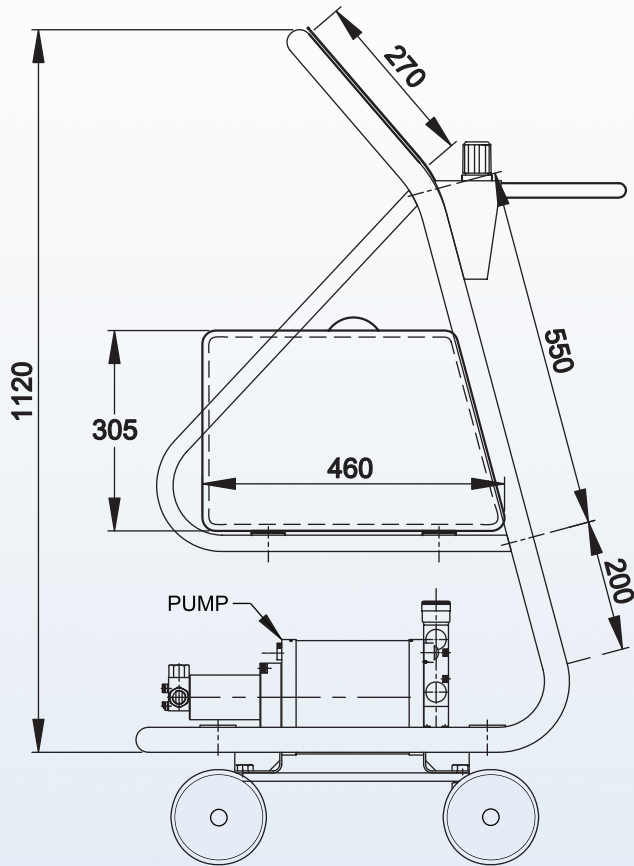
C-105, Ansa Industrial Estate, Saki Vihar Rd, Andheri (E), Mumbai - 400072. India.

Ph.: +91-22-40151020

E-mail: contactus@mercuryindia.net Web site: www.mercuryindia.net



“Mercury” Hydro tester is a portable pressure testing unit for pressures ranging from 15 bar to 500 bar. This indigenous product has the entire pressure testing circuit inbuilt to simplify the testing process and to increase flexibility in testing heavy products at its place of manufacturing. Light weight components, ergonomic design & good aesthetics are some of the distinguishing features of the Hydro tester series.



PRESSURE RANGE 30-255 BAR (Standard Flow)		
MODEL No.	RATIO	OUTPUT PRESSURE AT 5Kg/cm ²
PTU- A80-14	32	160
PTU- A80-16	25	125
PTU- A80-20	16	80
PTU- A80-28	8	40
PTU- A80-32	6.25	31
PTU- A100 -14	51	255
PTU- A100 -16	39	195
PTU- A100 -20	25	125
PTU- A100 -28	12.75	64
PTU- A100 -32	9.75	49
PTU- A160 -28	32	160
PTU- A160 -32	25	125

PRESSURE RANGE 15-80 BAR (High Flow)		
MODEL No.	RATIO	OUTPUT PRESSURE AT 5Kg/cm ²
PTU-A100-40	6.25	31
PTU-A100-56	3	15
PTU-A160-40	16	80
PTU-A160-56	8	40
PTU-A160-80	4	20

PRESSURE RANGE 300-500 BAR (High Pressure)		
MODEL No.	RATIO	OUTPUT PRESSURE AT 5Kg/cm ²
PTU-A80-10	64	320
PTU-A100-10	100	500
PTU-A160-16	100	500
PTU-A160-20	64	320