

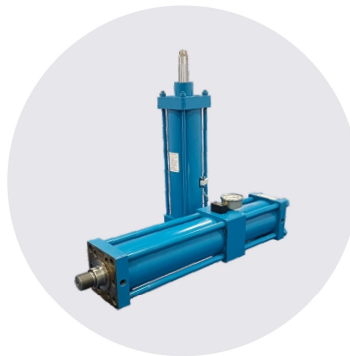
**MERCURY**

Leadership through innovation

# Hydro Pneumatic Cylinders For “PET” Blow Moulding Machines Series ‘XA’



HORIZONTAL MOUNTING- TOP  
(HMT)



HORIZONTAL MOUNTING- SIDE  
(HMS)

## Salient Features

- Higher Approach & Return Speeds
- Compact & Lightweight
- Hard Anodized Reservoir Barrel
- Integrated Low Oil Level Sensing
- Energy Efficient
- Low Maintenance Cost
- Front or Rear Mounting Options
- 360° Reservoir Mounting Provision

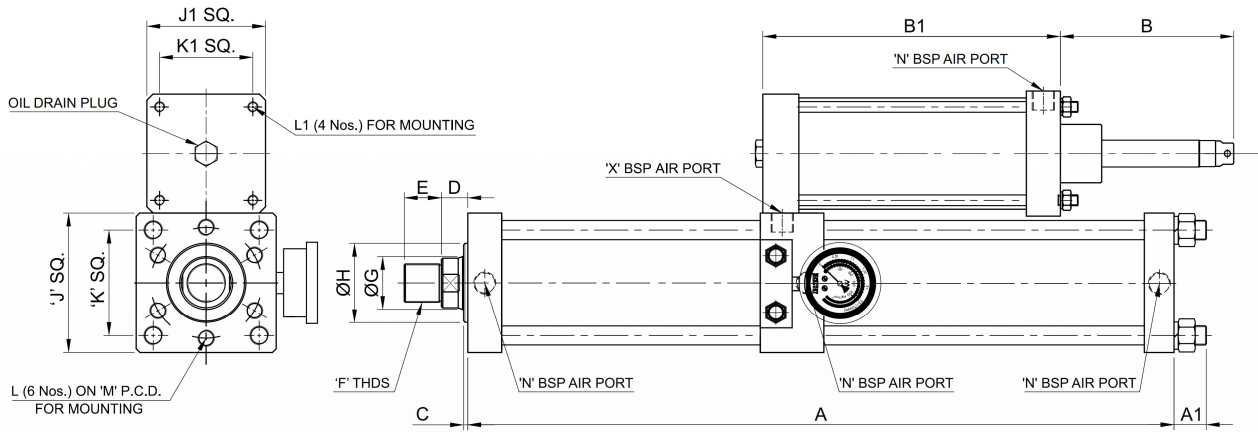


## Mercury Pneumatics Pvt. Ltd.

C-105, Ansa Industrial Estate, Saki Vihar Rd, Andheri (E),  
Mumbai - 400072. India. Phone: +91-22-40151020

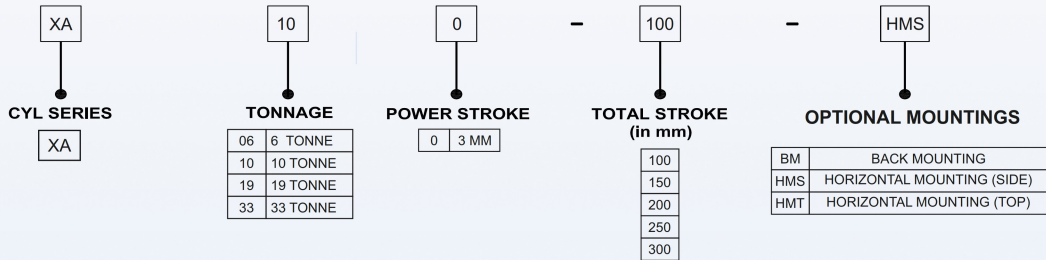
E-mail: [contactus@mercuryindia.net](mailto:contactus@mercuryindia.net) Website: [www.mercuryindia.net](http://www.mercuryindia.net)

# Technical Specification



MODEL NO.	TON @ 5 BARS	TOTAL STROKE	POWER STROKE	A	A1	B	B1	C	D	E	F	ØG	ØH	J SQ.	J1 SQ.	K SQ.	K1 SQ.	L	L1	M	N	X
XA060-100	6	100	3	447	23	195	241	4	22	35	M24 x 2.0	32	55	105	95	78	70.5	M16 x 2.0	M10 x 1.5	-	1/4"	3/4"
XA060-150	6	150	3	497	23	255	301	4	22	35	M24 x 2.0	32	55	105	95	78	70.5	M16 x 2.0	M10 x 1.5	-	1/4"	3/4"
XA060-200	6	200	3	547	23	315	361	4	22	35	M24 x 2.0	32	55	105	95	78	70.5	M16 x 2.0	M10 x 1.5	-	1/4"	3/4"
XA060-250	6	250	3	597	23	375	421	4	22	35	M24 x 2.0	32	55	105	95	78	70.5	M16 x 2.0	M10 x 1.5	-	1/4"	3/4"
XA060-300	6	300	3	647	23	435	481	4	22	35	M24 x 2.0	32	55	105	95	78	70.5	M16 x 2.0	M10 x 1.5	-	1/4"	3/4"
XA100-150	10	150	3	517	31	235	288	4	25	35	M36 x 2.0	50	75	132	112	-	88	M16 x 2.0	M10 x 1.5	105	1/2"	3/4"
XA100-200	10	200	3	567	31	295	348	4	25	35	M36 x 2.0	50	75	132	112	-	88	M16 x 2.0	M10 x 1.5	105	1/2"	3/4"
XA100-250	10	250	3	617	31	355	408	4	25	35	M36 x 2.0	50	75	132	112	-	88	M16 x 2.0	M10 x 1.5	105	1/2"	3/4"
XA100-300	10	300	3	667	31	415	468	4	25	35	M36 x 2.0	50	75	132	112	-	88	M16 x 2.0	M10 x 1.5	105	1/2"	3/4"
XA190-150	19	150	3	581	36	297	365	4	24.5	35	M40 x 2.0	63	90	170	140	-	106	M20 x 2.5	M12 x 1.75	125	1/2"	1"
XA190-200	19	200	3	631	36	372	440	4	24.5	35	M40 x 2.0	63	90	170	140	-	106	M20 x 2.5	M12 x 1.75	125	1/2"	1"
XA190-250	19	250	3	681	36	447	515	4	24.5	35	M40 x 2.0	63	90	170	140	-	106	M20 x 2.5	M12 x 1.75	125	1/2"	1"
XA190-300	19	300	3	731	36	522	590	4	24.5	35	M40 x 2.0	63	90	170	140	-	106	M20 x 2.5	M12 x 1.75	125	1/2"	1"
XA330-200	33	200	3	658	44	270	403	4	26	40	M48 x 3.0	63	75	220	178.5	-	140	M30 x 3.5	M16 x 2.0	135	1/2"	1"
XA330-250	33	250	3	708	44	330	463	4	26	40	M48 x 3.0	63	75	220	178.5	-	140	M30 x 3.5	M16 x 2.0	135	1/2"	1"
XA330-300	33	300	3	758	44	390	523	4	26	40	M48 x 3.0	63	75	220	178.5	-	140	M30 x 3.5	M16 x 2.0	135	1/2"	1"

## HOW TO ORDER



**EXAMPLE :** 10 Tonne Capacity, 3mm Power Stroke, 100mm Total Travel with Horizontal Reservoir Mounting From Side  
 Model No. **XA100-100-HMS**

## OTHER PRODUCTS FOR "PET" MOULDING MACHINES

