



## Direct Acting Mini Solenoid Valves (M22)

Series "ND" 1/8" BSP 2/2 & 3/2 Direct Acting Solenoid valves and Gang Assembly

# MERCURY

### Mechanical Characteristic

Body	: Aluminium
Orifice	: Ø1.10mm
Ports	: G1/8" BSP Female
Seals	: Nitrile Rubber
Design	: Poppet type, directly actuated
Weight	: Refer to technical data

### Operating Conditions

Media	: Compressed Air (filtered 40µ), Vacuum (2/2 only)
Temperature Range	: 0° to +50°C
Vacuum	: To -0.9 bar (2/2 only)
Leakage	: Bubble Tight
Pressure Range	: 0 to 10 bar N.C., 0 to 7 bar N.O.
Flow (NLPM) at 5 bar	: 25 Normal litres per min.

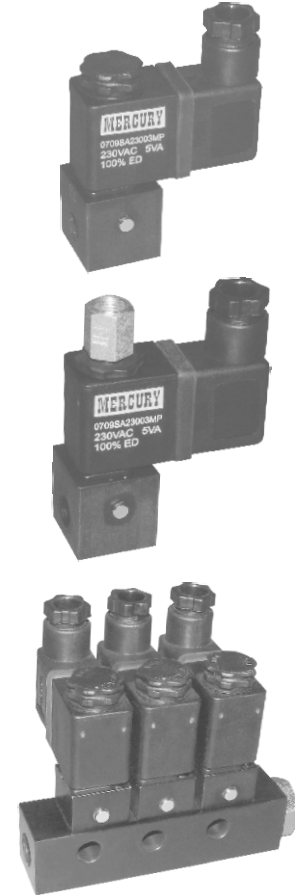
### Electrical Conditions

Coil Voltage	: 12 & 24 VDC; 24, 48, 110 & 230 VAC / 50 Hz ±10%
Power	: DC - 3 W; AC - 5 VA Hold, 7.5 VA Pickup
Duty Cycle	: Continuous
Response Time	: 10 msec ON / 20 msec OFF
Protection	: IP 65 (as per DIN 40 050)
Connector	: Black (illuminated on request)

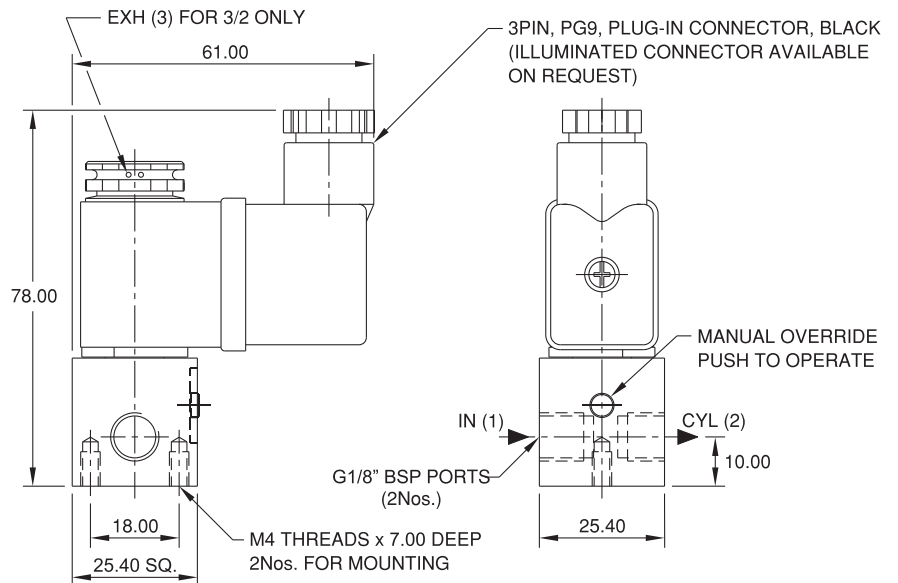
**NOTE** :- While ordering please specify

1. Orifice required, if other than standard 1.10mm dia.
2. \* Coil voltage & type of connector. Add voltage & connector suffix as below to model no.

Connector	230VAC	24VAC	12VAC	24VDC	12VDC	110VAC	48VAC
BLACK	A	B	C	D	E	F	G
ILLUMINATED	L	M	N	P	Q	R	S



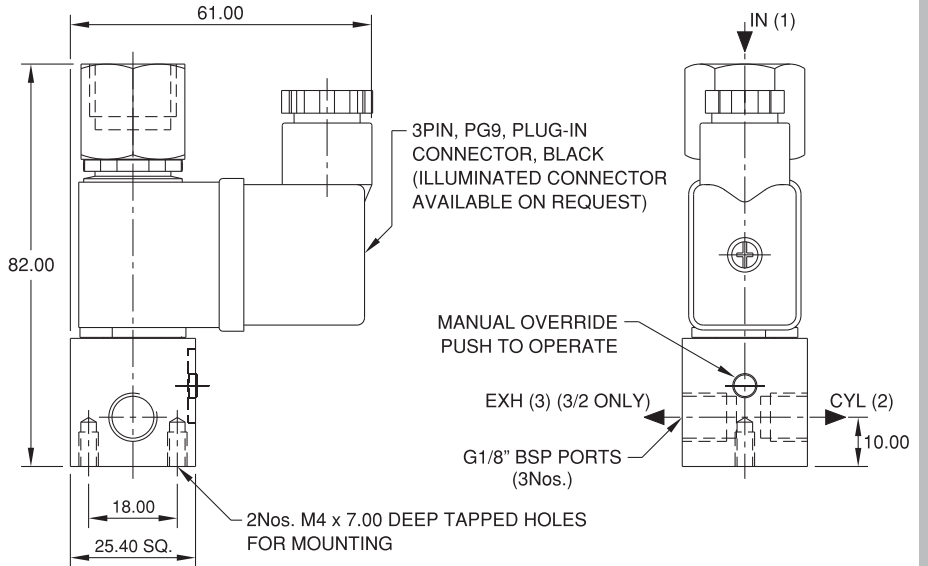
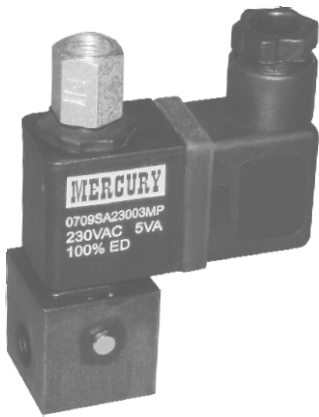
### 1/8" BSP 2/2 (2 WAY) & 3/2 (3 WAY) Normally Closed Direct Acting Solenoid Valve



MODEL No.	DESCRIPTION	SYMBOL	WEIGHT (Kg.)	SEAL KIT No.
ND111*	2/2 (2 WAY) NORMALLY CLOSED		0.13	SKND111
ND311*	3/2 (3 WAY) NORMALLY CLOSED		0.13	SKND311

\* ADD VOLTAGE & CONNECTOR SUFFIX WHILE ORDERING

## 1/8" BSP 2/2 (2 WAY) & 3/2 (3 WAY) Normally Open Direct Acting Solenoid Valve

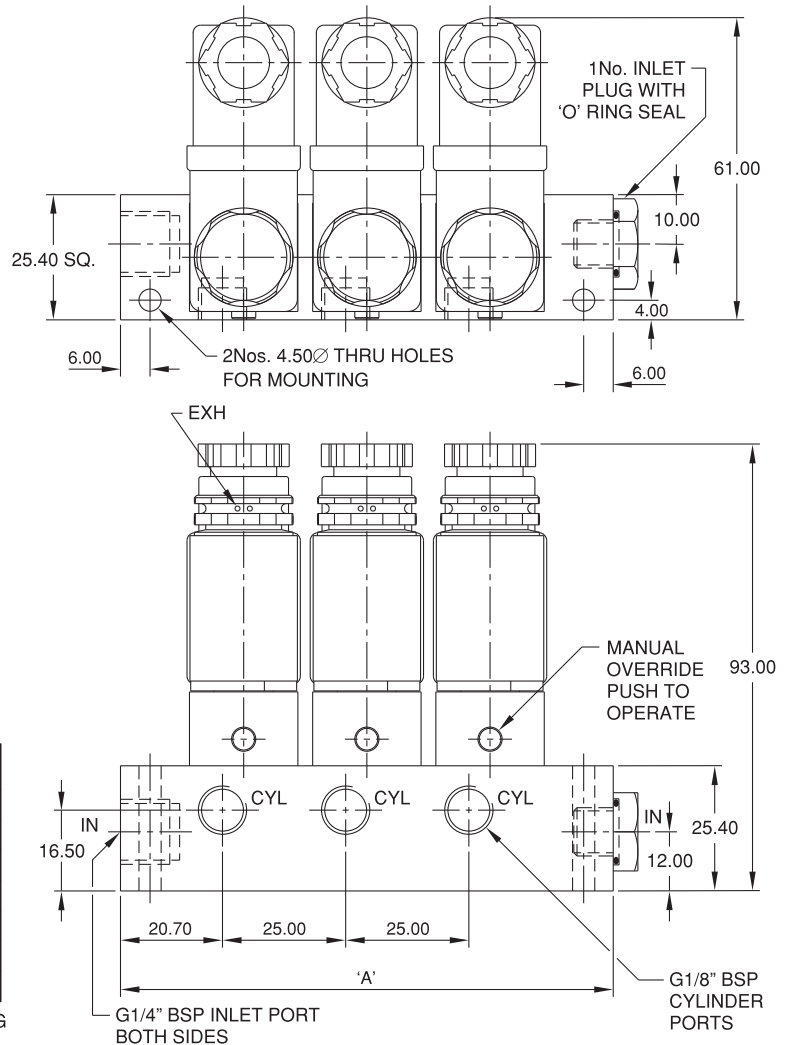


MODEL No.	DESCRIPTION	SYMBOL	WEIGHT (Kg.)	SEAL KIT No.
ND211 *	2/2 (2 WAY) NORMALLY OPEN		0.14	SKND211
ND411 *	3/2 (3 WAY) NORMALLY OPEN		0.14	SKND411

\* ADD VOLTAGE & CONNECTOR SUFFIX WHILE ORDERING

## Gang Manifold Assemblies 1/8" BSP 3/2 (3 WAY) Direct Acting Solenoid Valve

Note:- Special gang assemblies as per customer circuit can be designed and supplied.



MODEL No.	'A' (±.25)	WEIGHT (Kg.)	SEAL KIT No.
NDG-02*	75.00, FOR 2 VALVES	0.36	SKNDG-02
NDG-03*	100.00, FOR 3 VALVES	0.52	SKNDG-03
NDG-04*	125.00, FOR 4 VALVES	0.67	SKNDG-04
NDG-05*	150.00, FOR 5 VALVES	0.83	SKNDG-05
NDG-06*	175.00, FOR 6 VALVES	0.98	SKNDG-06
NDG-07*	200.00, FOR 7 VALVES	1.14	SKNDG-07
NDG-08*	225.00, FOR 8 VALVES	1.29	SKNDG-08

\* ADD VOLTAGE & CONNECTOR SUFFIX WHILE ORDERING