



Air Filter, Regulator & Lubricator

Series "M" 1/2" BSP



Mechanical Characteristic

Body	: Aluminium
Orifice	: Ø12.50mm
Ports	: G1/2" BSP Female
Pressure Gauge Port	: 1/4" BSP
Seals	: Nitrile Rubber
Filtering Density	: 40 µm
Bowl Capacity	: 75 c.c
Drain Type	: Semi Automatic
Mountings	: 'T' Type Bracket
Weight	: Refer to individual model

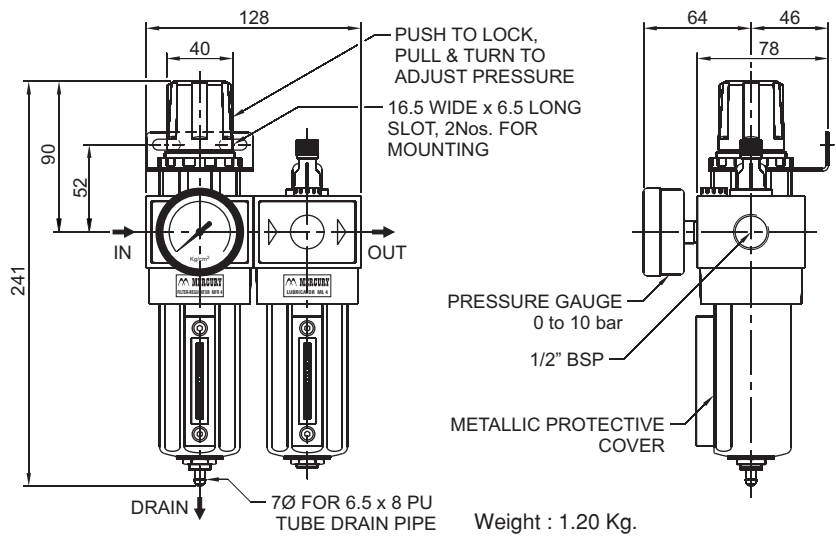
Operating Conditions

Media	: Air (filtered 40µ & lubricated)
Temperature Range	: +5° to +60°C
Pressure Range	: 0.5 to 10 bar
Lubricator Oil	: ISO-VG32
Flow	: 2100 Normal litres per min.



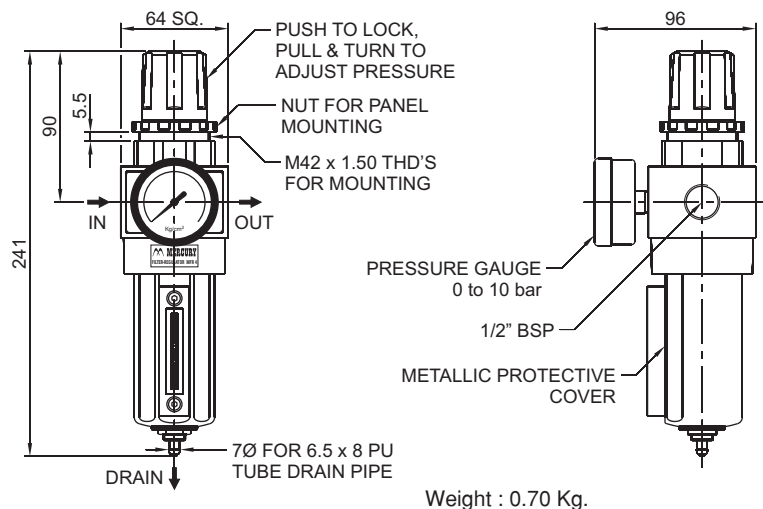
1/2" BSP Filter Regulator + Lubricator

MODEL :- MFR+L 4



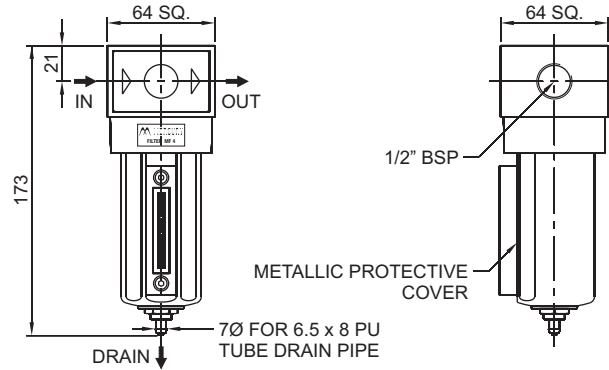
1/2" BSP Filter Regulator

MODEL :- MFR 4



1/2" BSP Filter

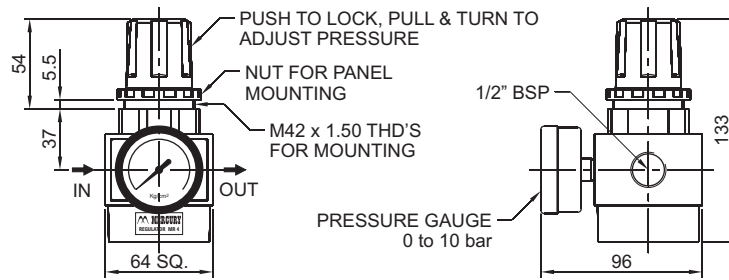
MODEL :- MF 4



Weight : 0.45 Kg.

1/2" BSP Regulator

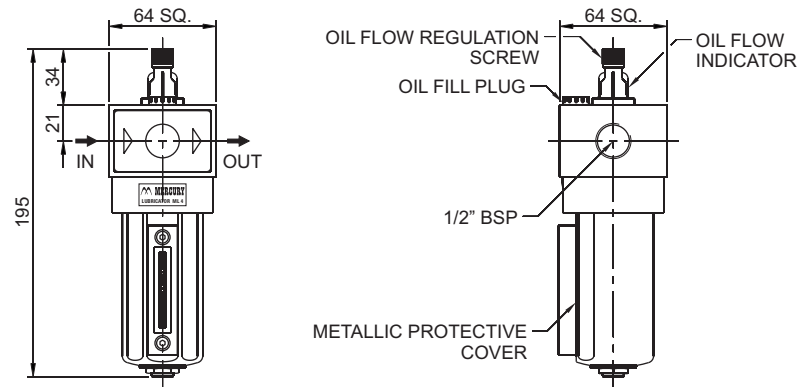
MODEL :- MR 4



Weight : 0.62 Kg.

1/2" BSP Lubricator

MODEL :- ML 4



Weight : 0.45 Kg.