



Micro Cylinders Series MN/MNM (ISO 6432)

Piston Dia 16 to 25mm



Salient Features

- Low friction, Self adjusting 'T' ring seal for smooth, Jerk free motion
- Honed & Hard Anodized Aluminium barrel
- Hard chrome plated piston rod
- Stroke length up to 1000mm
- Available in Single & Double acting type
- Available in Non-Magnetic & Magnetic type

Operating Conditions

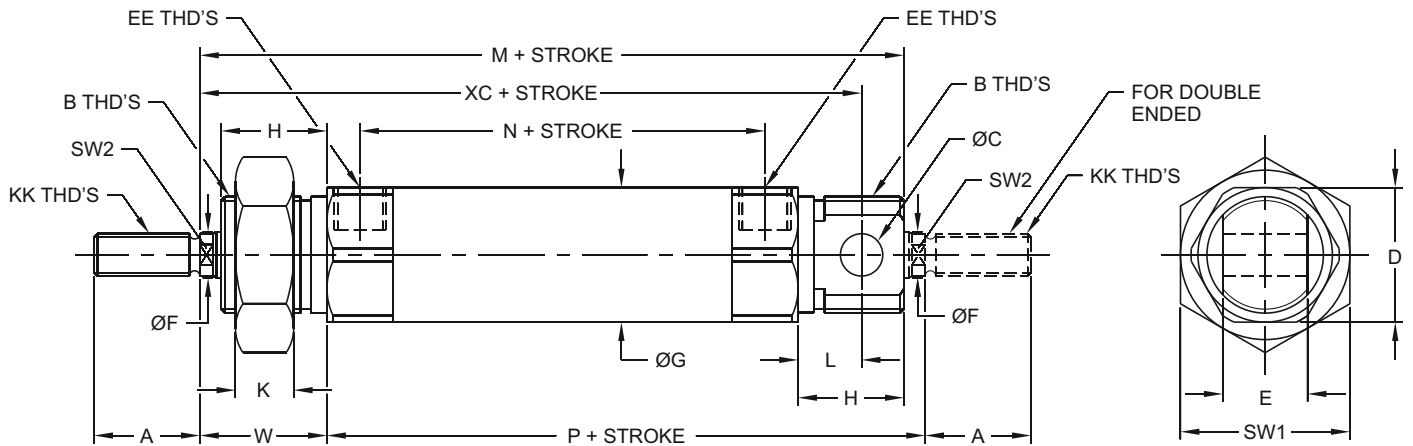
Media	: Air (filtered 40 μ & lubricated)
Temperature Range	: +5° to +50°C
Pressure Range	: 0.5 to 10 bar
Leakage	: Bubble Tight

Mechanical Characteristic

Barrel	: \varnothing 16, \varnothing 20 & \varnothing 25 - Aluminium alloy
Piston Rod	: Carbon steel IS 5517 - C35
End Caps	: Aluminium alloy IS 63400 (6063T6)
Seals	: Nitrile rubber, polyurethane (Viton for high temp. on request)



BASIC DIMENSIONS



MODEL No.	PISTON \varnothing	A	B THD'S	\varnothing C	D	E	EE	\varnothing F	\varnothing G	H	K	KK THD'S	L	M	N	P	SW1	SW2	W	XC
MN 16	16	16	M16 x 1.5	6	22	12	M5	7	20	17	8	M6 x 1	9	90	41.5	73	24	6	22	82
MN 20	20	20	M22 x 1.5	8	25.4	16	1/8" BSP	10	25	20	11	M8 x 1.25	12	103	46.5	83	32	9	24	95
MN 25	25	22	M22 x 1.5	8	32	16	1/8" BSP	10	31	22	11	M10 x 1.25	12	114	51.0	92	32	9	28	104

- STANDARD STROKES STOCKED FOR QUICK DELIVERY : 10, 25, 40, 50, 80, 100, 125, 160, 200, 250 & 300mm.
- ADD PREFIX 'MNM' FOR MAGNETIC TYPE. (EXAMPLE : MNM 32, MNM 40, MNM 50, MNM 63, MNM 80, MNM 100)
- ADD PREFIX 'MND' FOR DOUBLE ACTING (EXAMPLE : MND32, MND40, MND 50, MND 63, MND 80, MND 100)
- ALLOWABLE STROKE TOLERANCE : 0 - 250 STK : $\begin{matrix} +0.5 \\ -0.0 \end{matrix}$, 251 - 1000 STK : $\begin{matrix} +1 \\ -0 \end{matrix}$.

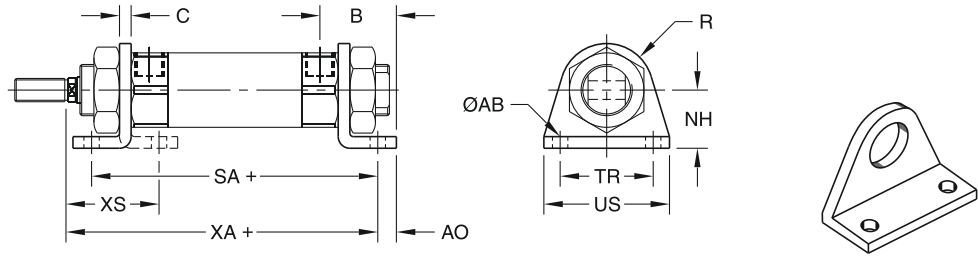


Micro Cylinders Series MN/MNM (ISO 6432)

Piston Dia 16 to 25mm

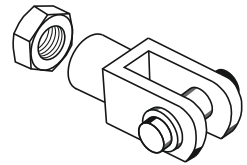


ANGLE BRACKET

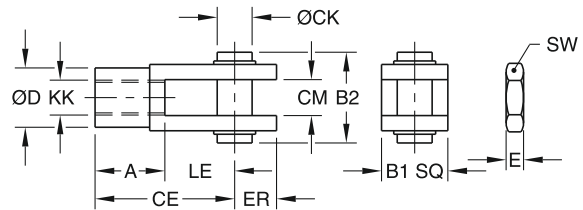


PART No.	CYL. BORE	ØAB	AO	B	C	NH	R	SA	TR	US	XA	XS
71-016-02	Ø16	5.5	6	24.75	4	20	13	79	32	42	87	32
71-016-03	Ø20 Ø25	6.6	8	31.25 31.70	5	25	20	93 98	40	54	100 109	36 40

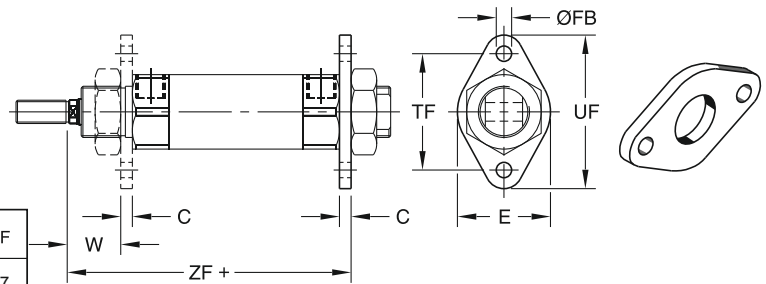
ROD CLEVIS



PART No.	CYL. BORE	A	B1	B2	CE	ØCK	CM	ØD	E	ER	KK	LE	SW
71-018-02	Ø16	12	12	17.5	24	6	6	10	4	7	M6 x 1	12	10
71-018-03	Ø20	16	16	21.5	32	8	8	13	4	10	M8 x 1.25	16	13
71-007-01	Ø25	20	20	26	40	10	10	18	5	12	M10 x 1.25	20	17

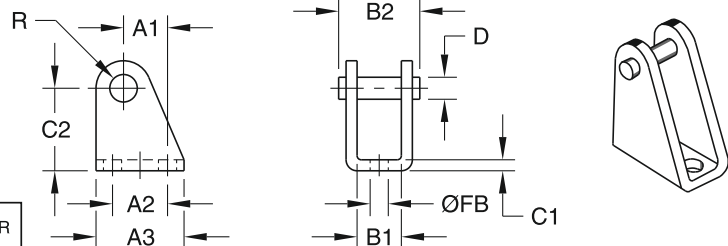


FLANGE



PART No.	CYL. BORE	C	E	ØFB	TF	UF	W	ZF
71-017-02	Ø16	4	30	5.5	40	52	18	77
71-017-03	Ø20 Ø25	5	40	6.6	50	66	19 23	88 97

CLEVIS FOOT



PART No.	CYL. BORE	A1	A2	A3	B1	B2	C1	C2	D	ØFB	R
71-015-02	Ø16	13	15	25	12.1	23	3	27	6	5.5	7
71-015-03	Ø20 Ø25	16	20	32	16.1	29.5	4	30	8	6.6	10