



Air Filter, Regulator & Lubricator

Series "S" 1/4" BSP



Mechanical Characteristic

Body	: Aluminium
Orifice	: Ø6.50mm
Ports	: G1/4" BSP Female
Pressure Gauge Port	: 1/8" BSP
Seals	: Nitrile Rubber
Filtering Density	: 25 µm
Bowl Capacity	: 35 c.c
Drain Type	: Semi Automatic
Mountings	: 'T' Type Bracket
Weight	: Refer to individual model

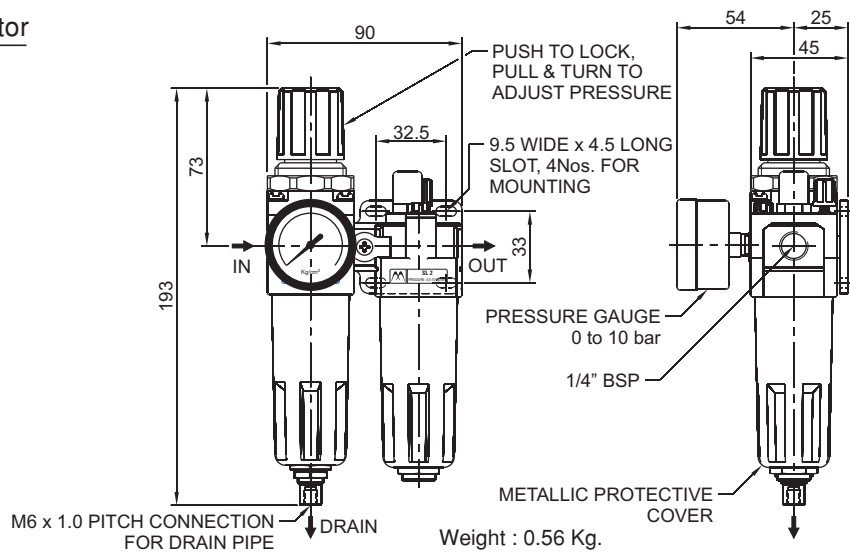
Operating Conditions

Media	: Air (filtered 40µ & lubricated)
Temperature Range	: +5° to +50°C
Pressure Range	: 0.5 to 10 bar
Lubricator Oil	: ISO-VG32
Flow	: 1200 Normal litres per min.



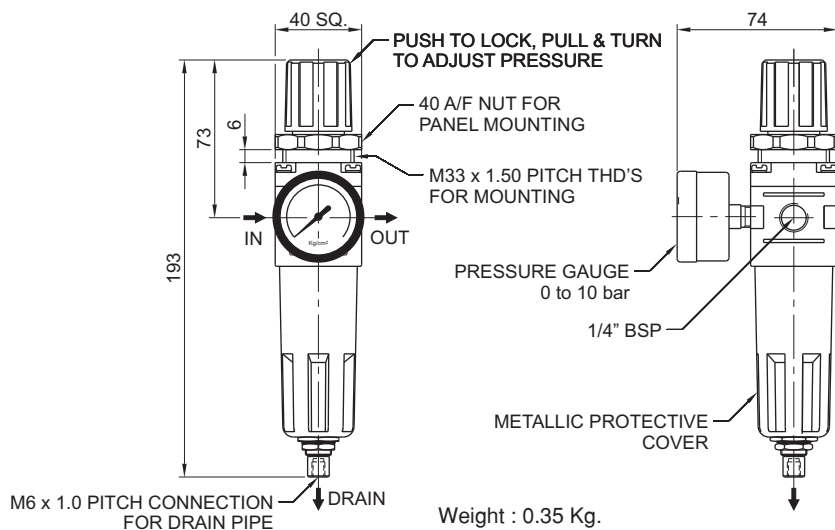
1/4" BSP Filter Regulator + Lubricator

MODEL :- SFR+L 2



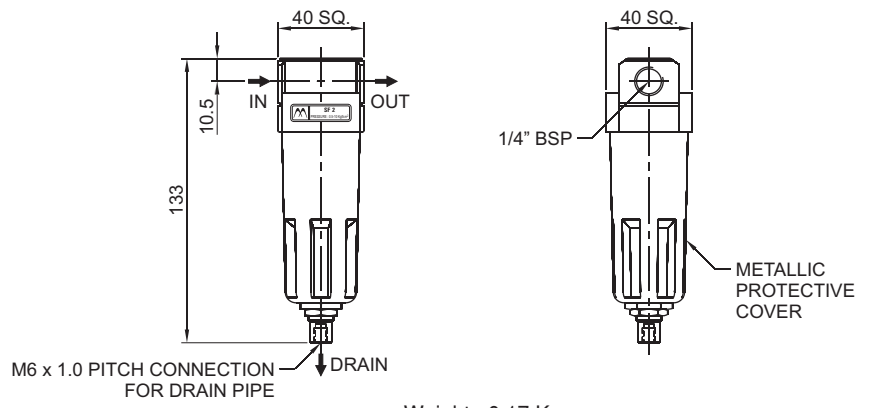
1/4" BSP Filter Regulator

MODEL :- SFR 2



1/4" BSP Filter

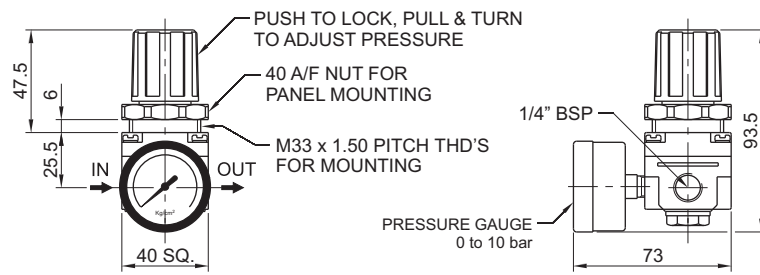
MODEL :- SF 2



Weight : 0.17 Kg.

1/4" BSP Regulator

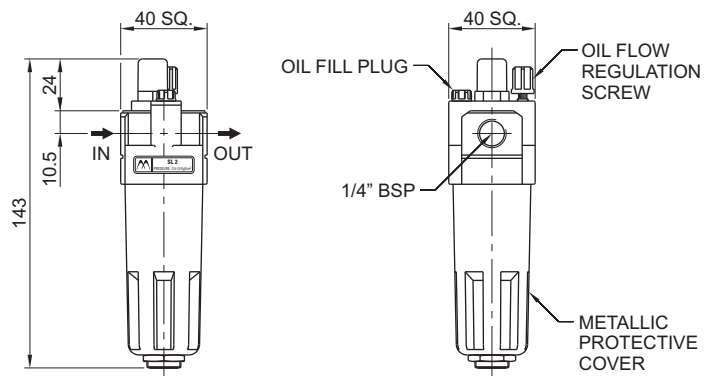
MODEL :- SR 2



Weight : 0.23 Kg.

1/4" BSP Lubricator

MODEL :- SL 2



Weight : 0.16 Kg.