



Spool Type Solenoid Valves Series MS-1/4"

Series "MS" 1/4" BSP 3/2, 5/2 & 5/3 Solenoid-Spring & Solenoid-Solenoid spool valves

MERCURY

Mechanical Characteristic

Body	: Aluminium
Orifice	: Ø6.00mm
Ports	: G1/4" BSP Female
Seals	: Nitrile Rubber
Design	: Spool type, internal pilot operated
Weight	: Refer to technical data

Operating Conditions

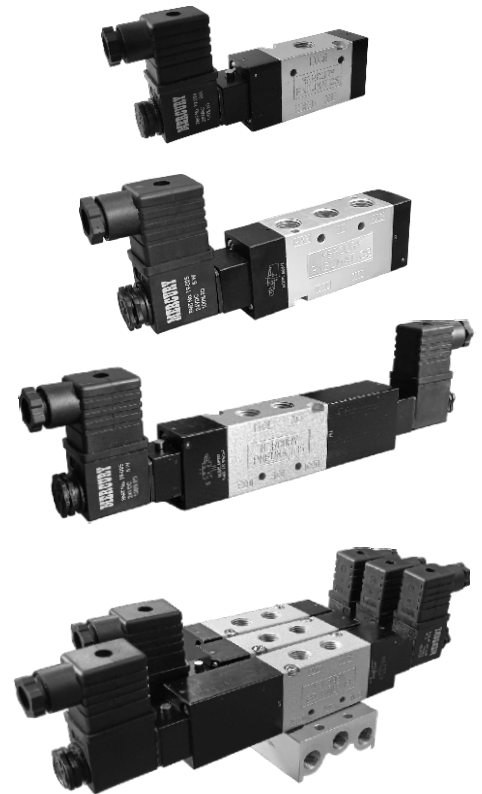
Media	: Air (filtered 40µ & lubricated)
Temperature Range	: +5° to +50°C
Pressure Range	: 2.5 to 10 bar
Leakage	: Bubble Tight
Flow (NLPM) at 5 bar	: 1100 Normal litres per min.

Electrical Conditions

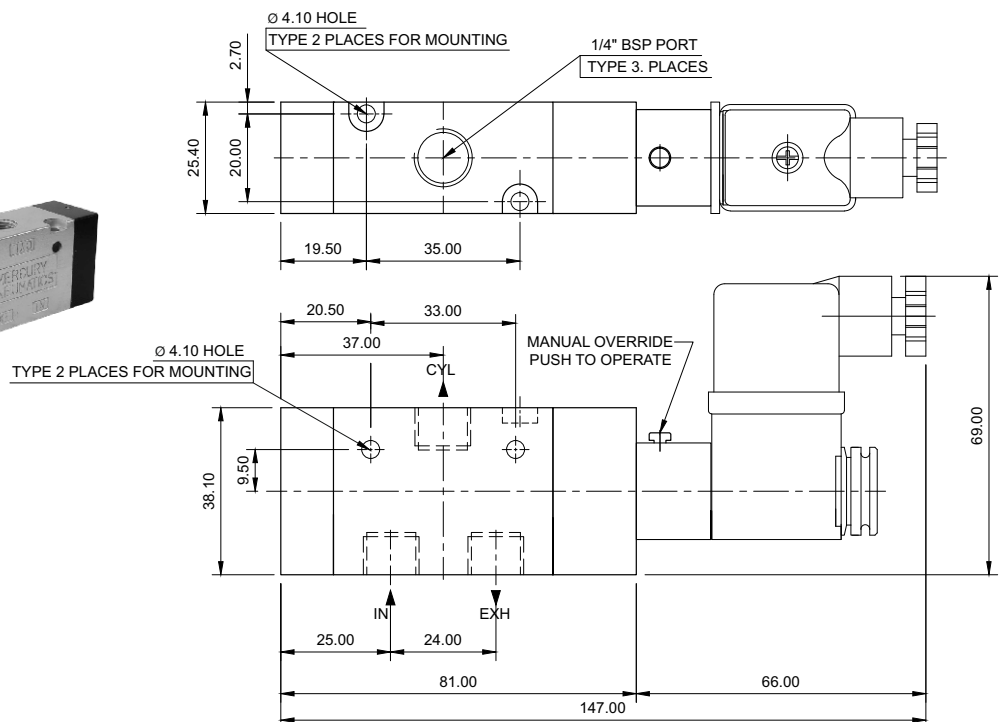
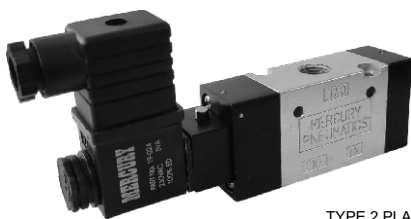
Coil Voltage	: 12 & 24 VDC; 24, 48, 110 & 230 VAC / 50 Hz ±10%
Power	: DC - 3 W; AC - 5 VA Hold, 7.5 VA Pickup
Duty Cycle	: Continuous
Response Time	: 15 msec ON / 25 msec OFF
Protection	: IP 65 (as per DIN 40 050)
Connector	: Black (illuminated on request)

* While ordering specify Coil voltage & type of connector. Add voltage & connector suffix as below to model no.

Connector	230VAC	24VDC
BLACK	A	D
ILLUMINATED	L	P



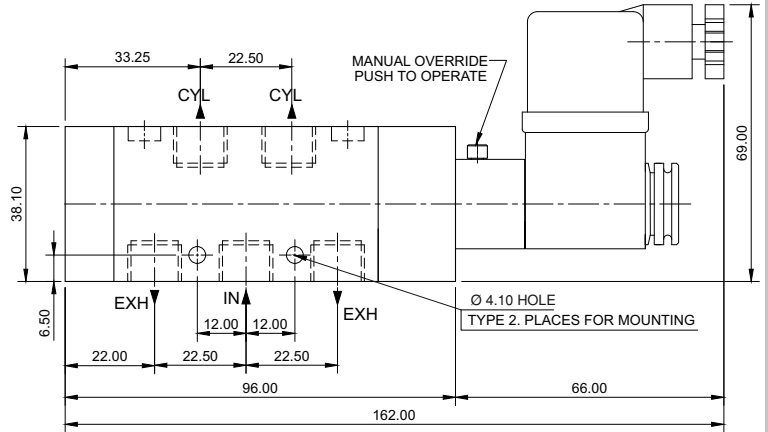
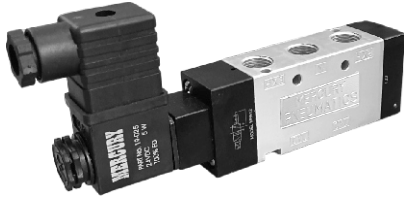
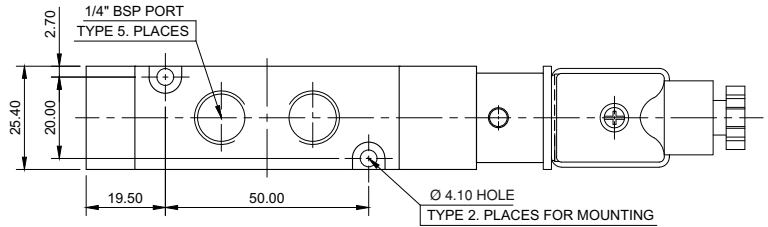
1/4" BSP 3/2 Solenoid - Air Spring Valve



MODEL No.	DESCRIPTION	SYMBOL	WEIGHT (Kg.)	SEAL KIT No.
MS312*	1/4" 3/2 NORMALLY CLOSED SPOOL TYPE SOLENOID VALVE		0.29	SKMS312

* ADD VOLTAGE & CONNECTOR SUFFIX WHILE ORDERING

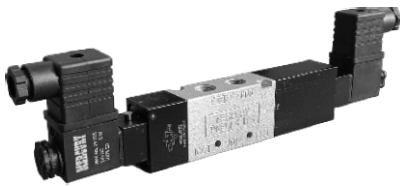
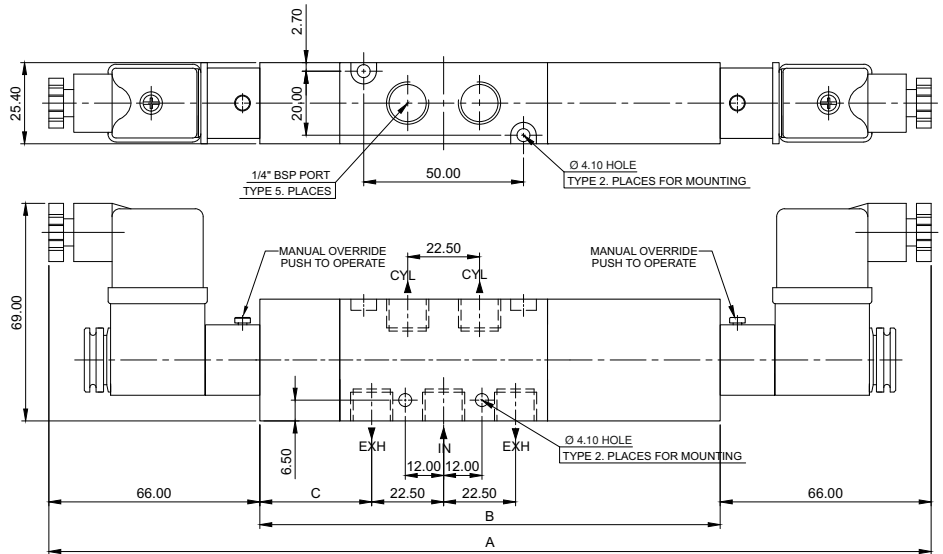
1/4" BSP 5/2 Solenoid - Air Spring Valve



MODEL No.	DESCRIPTION	SYMBOL	WEIGHT (Kg.)	SEAL KIT No.
MS612*	1/4" 5/2, SPOOL TYPE SOLENOID-SPRING VALVE		0.32	SKMS612

* ADD VOLTAGE & CONNECTOR SUFFIX WHILE ORDERING

1/4" BSP 5/2 (2 POSITION) & 5/3 (3 POSITION) Solenoid - Solenoid Valve



MODEL No.	DESCRIPTION	SYMBOL	WEIGHT (Kg.)	SEAL KIT No.
MS622*	1/4" 5/2, SPOOL TYPE SOLENOID-SOLENOID VALVE		0.45	SKMS622
MS722*	1/4" 5/3 PHN, SPOOL TYPE SOLENOID-SOLENOID VALVE		0.55	SKMS722
MS822*	1/4" 5/3 PAN, SPOOL TYPE SOLENOID-SOLENOID VALVE		0.55	SKMS822
MS922*	1/4" 5/3 PRN, SPOOL TYPE SOLENOID-SOLENOID VALVE		0.55	SKMS922

MODEL No.	'A'	'B'	'C'
MS622	235.00	103.00	29.00
MS722	276.00	144.00	35.00
MS822	276.00	144.00	35.00
MS922	276.00	144.00	35.00

* ADD VOLTAGE & CONNECTOR SUFFIX WHILE ORDERING