



# 2 Column Presses



Plain



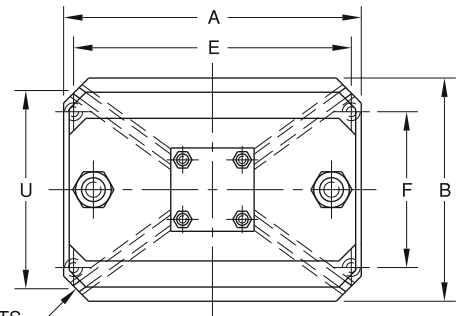
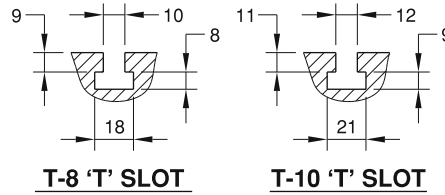
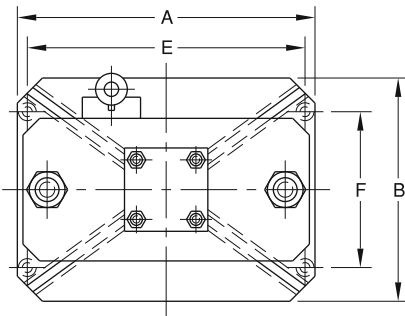
Anti Rotation Guide



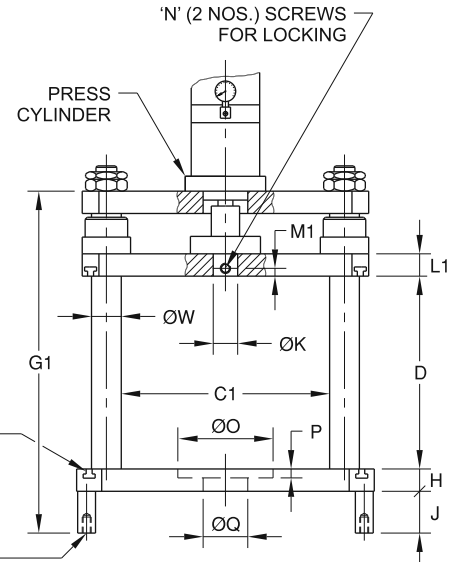
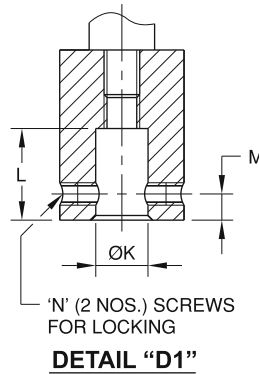
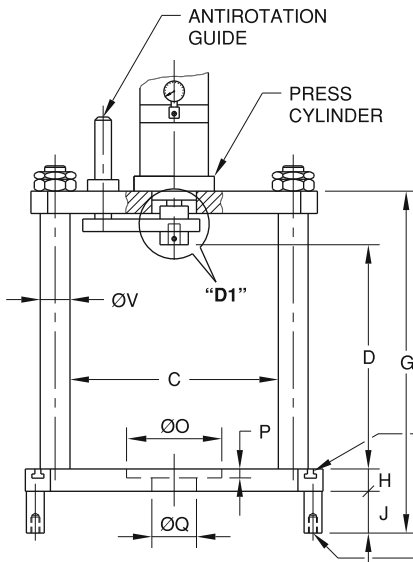
Guided Moving Platen

**PLAIN (2P--) & WITH ANTI ROTATION GUIDE (2P--R)**

**WITH GUIDED MOVING PLATEN (2P--G)**



DIAGONAL 'T' SLOTS ON BASE & MOVING PLATES



'R' THDS. (4 NOS.) FOR MOUNTING

PLAIN	WITH ARG	WITH GMP	TON	A	B	C	C1	D	E	F	G	G1	H	J	ØK	L	L1	M	M1	N	ØO	P	ØQ	R	T	U	ØV	ØW
2P02	2P02R	2P02G	2	350	240	270	270	250	320	160	425	459	38	55	20	25	38	6	10	M6	60	18	45	M10	8	215	32	32
2P04	2P04R	2P04G	4	400	300	300	302	300	364	205	493	534	43	55	25	30	43	10	12	M8	75	18	55	M12	8	270	40	38
2P08	2P08R	2P08G	8	435	300	300	304	300	405	205	513	564	53	55	25	40	53	10	12	M8	105	20	75	M12	10	265	55	50
2P15	2P15R	2P15G	15	510	325	350	352	350	465	215	633	694	68	85	30	60	68	10	12	M8	130	25	90	M16	10	285	65	63
2P30	2P30R	2P30G	30	525	350	350	353	350	480	240	677	765	85	85	40	80	85	12	15	M10	130	25	90	M20	10	310	76	73
2P45	2P45R	2P45G	45	630	400	390	390	400	575	250	796	860	95	100	50	100	95	20	15	M12	130	25	100	M20	10	350	90	90



# 4 Column Presses



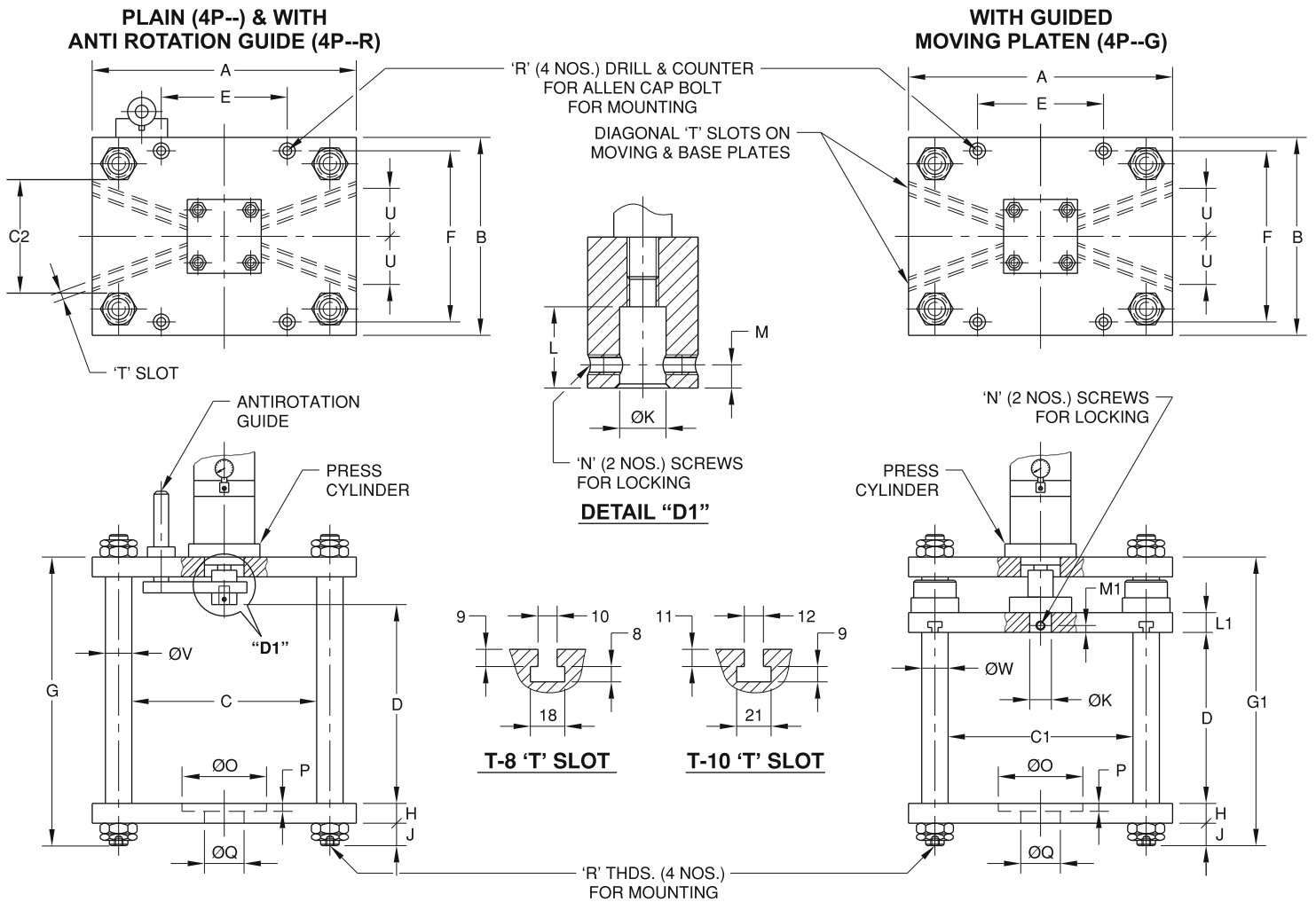
Plain



Anti Rotation Guide



Guided Moving Platen



PLAIN	WITH ARG	WITH GMP	TON	A	B	C	C1	C2	D	E	F	G	G1	H	J	ØK	L	L1	M	M1	N	ØO	P	ØQ	R	T	U	ØV	ØW
4P02	4P02R	4P02G	2	340	250	270	270	180	250	200	220	417	445	32	53	20	25	32	10	10	M6	60	18	45	M10	8	75	30	30
4P04	4P04R	4P04G	4	383	300	300	300	217	300	225	270	480	516	38	47	25	30	38	10	12	M8	75	18	55	M12	8	75	35	35
4P08	4P08R	4P08G	8	484	300	350	354	166	300	275	270	513	564	53	55	25	40	53	10	12	M8	105	20	75	M12	10	75	55	50
4P15	4P15R	4P15G	15	500	325	350	350	175	350	275	285	621	677	62	80	30	60	62	10	12	M8	130	25	90	M16	10	80	60	60
4P30	4P30R	4P30G	30	510	350	350	350	190	350	275	310	659	734	72	80	40	80	72	12	15	M10	130	25	90	M20	10	90	70	70
4P45	4P45R	4P45G	45	610	400	400	400	190	400	300	350	786	840	85	100	50	100	85	20	15	M12	130	25	100	M20	10	85	80	80



# 'C' Frame Presses



Plain

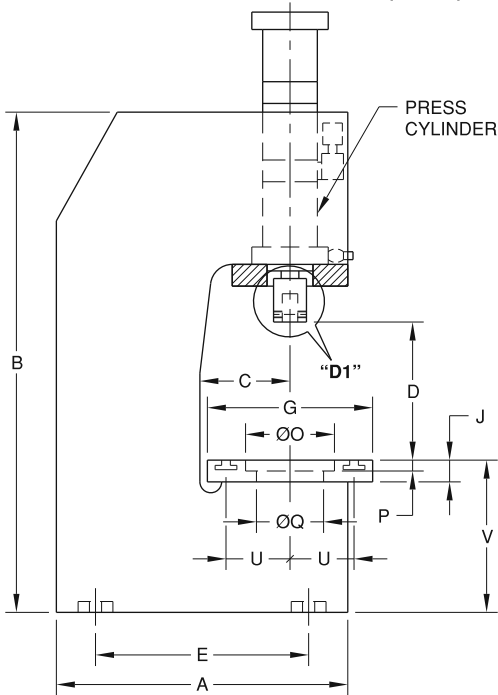


Anti Rotation Guide

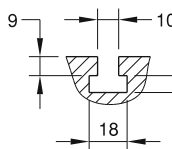
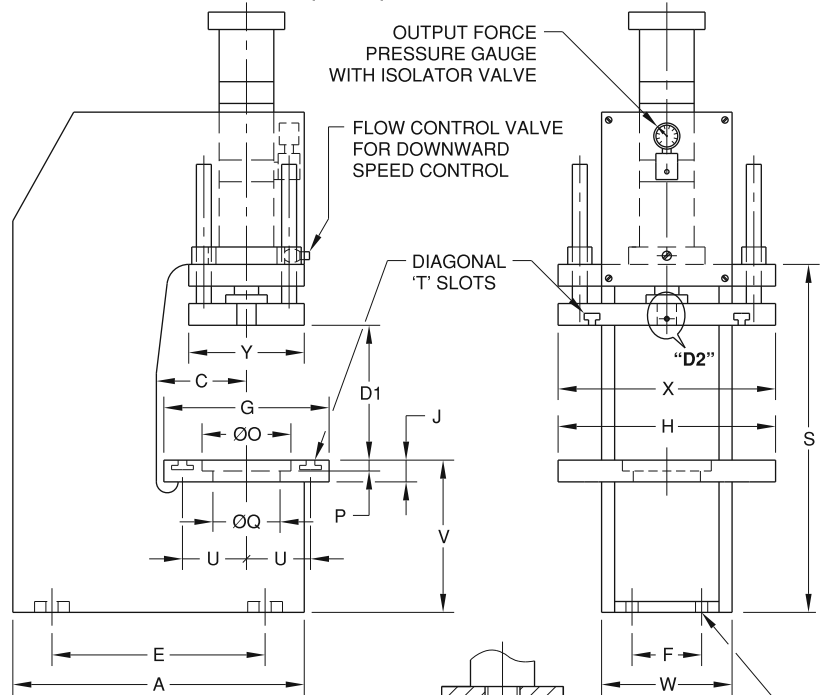


Guided Moving Platen

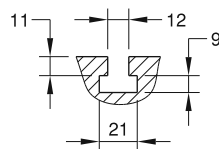
**PLAIN (1C--) & WITH ANTI ROTATION GUIDE (1C--R)**



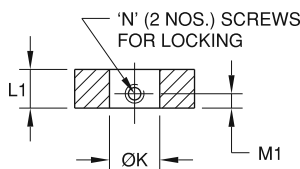
**WITH GUIDED MOVING PLATEN (1C--G)**



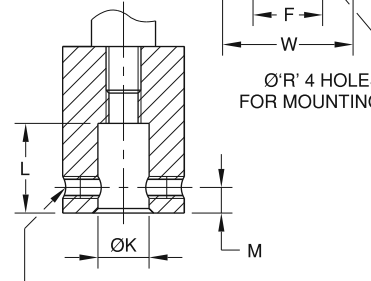
**T-8 'T' SLOT**



**T-10 'T' SLOT**



**DETAIL "D2"**



**DETAIL "D1"**

PLAIN	WITH ARG	WITH GMP	TON	A	B	C	D	D1	E	F	G	H	J	ØK	L	L1	M	M1	N	ØO	P	ØQ	ØR	S	T	U	V	W	X	Y
1C02	1C02R	1C02G	2	465	767	125	255	221	400	85	230	230	38	20	25	38	6	10	M6	60	18	45	13	566	8	75	240	180	266	200
1C04	1C04R	1C04G	4	550	890	150	310	270	480	120	280	280	43	25	30	43	10	12	M8	75	18	55	13	664	8	100	270	225	337	200
1C08	1C08R	1C08G	8	640	984	175	300	250	575	150	330	350	53	25	40	53	10	12	M8	105	20	75	13	715	10	100	322	296	408	230
1C15	1C15R	1C15G	15	700	1149	200	350	310	630	150	380	380	62	30	60	62	10	12	M8	130	25	90	17	839	10	125	372	311	431	250
1C30	1C30R	1C30G	30	750	1217	200	350	310	680	175	380	380	72	40	80	72	12	15	M10	130	25	90	17	892	10	125	397	365	500	250
1C45	1C45R	1C45G	45	925	1266	200	350	341	855	225	380	475	77	50	100	77	20	20	M12	130	25	100	17	941	10	125	402	425	560	280