

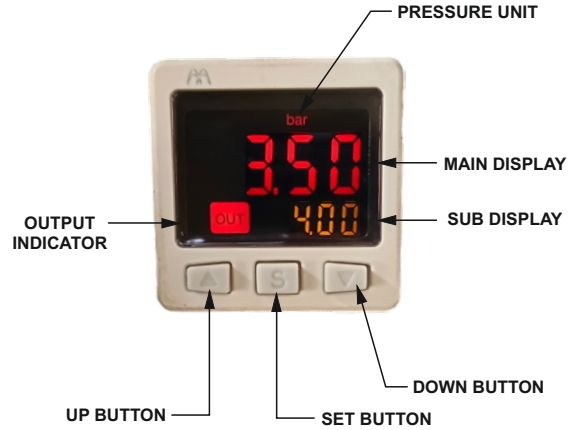


Digital Pressure Switch (DPS Series)



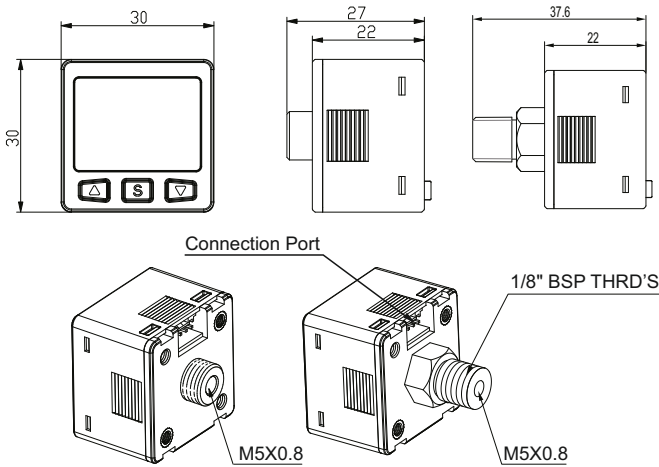
Technical Specifications

| | |
|--------------------------|--|
| Model No | DPS 3015 |
| Port Size | 1/8" BSP / Internal thread M5 |
| Rated Pressure Range | -1 ~ 10 bar |
| Operating Pressure Range | -1 ~ 10 bar |
| Maximum Pressure | 15 bar |
| Measurement Modes | Easy Mode |
| | Hysteresis Mode |
| | Compare Mode of Upper & Lower Bands |
| Fluid | Air |
| Voltage Range | 12-24VDC ±10% |
| Current Consumption | 40mA max (non-load) |
| Transistor Output | NPN / PNP open-collector output Output Current : 80mA MAX |
| Response time | Adjustable : MIN, 2.5mS |
| Analog Output (Voltage) | 1-5V, Load resistance ≥1KΩ |
| IP Level | IP 40 |
| Ambient Temperature | Operation : 0 ~ 50°C, Storage : -20 ~ 60°C |
| Ambient Humidity Range | Operating humidity 35 ~ 85% RH |
| Insulation Voltage | 1000VAC |
| Insulation Resistance | ≥ 50MΩ, 500VDC |
| Shock | Max 100m/s², 3 times each in direction of X,Y & Z |
| Vibration | Amplitude 1.5mm, 10Hz~500Hz, 2 hours each direction of X,Y & Z |

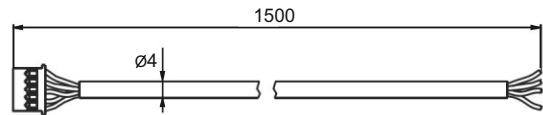


Mounting Options

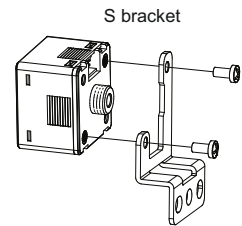
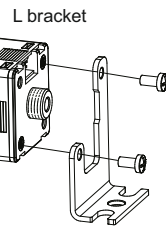
Overall Dimensions & Connection Port



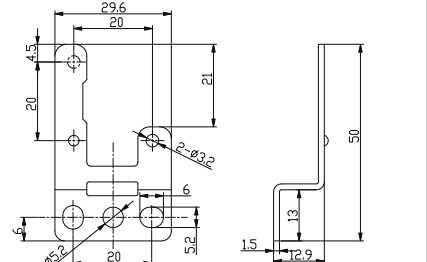
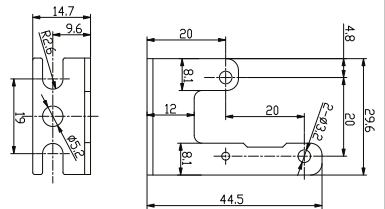
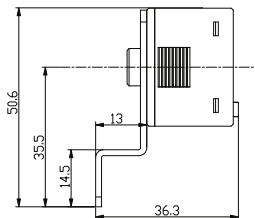
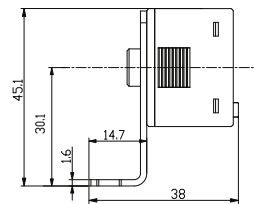
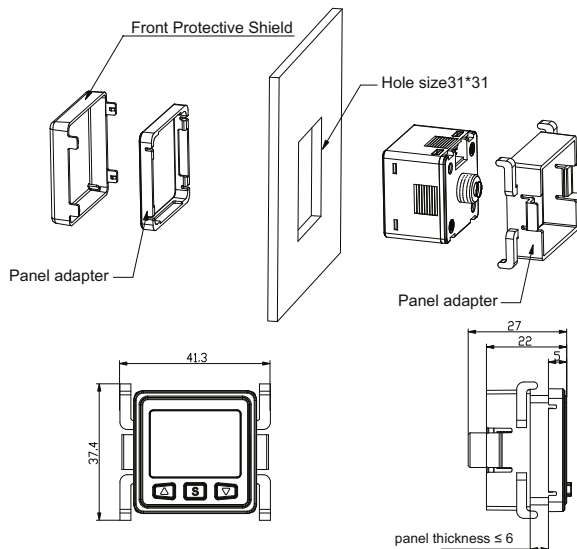
Wire Dimensions



Bracket Mountings



Panel Mounting Dimensions

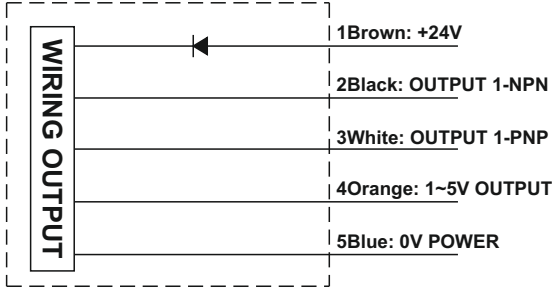




Digital Pressure Switch (DPS Series)

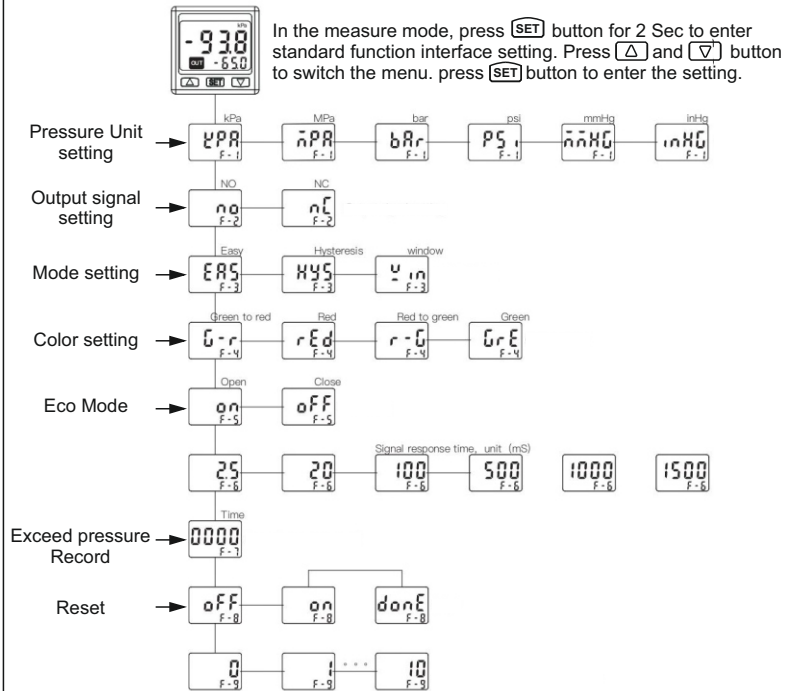


Output Circuit Wiring Diagrams



Note :- Use four core conductor

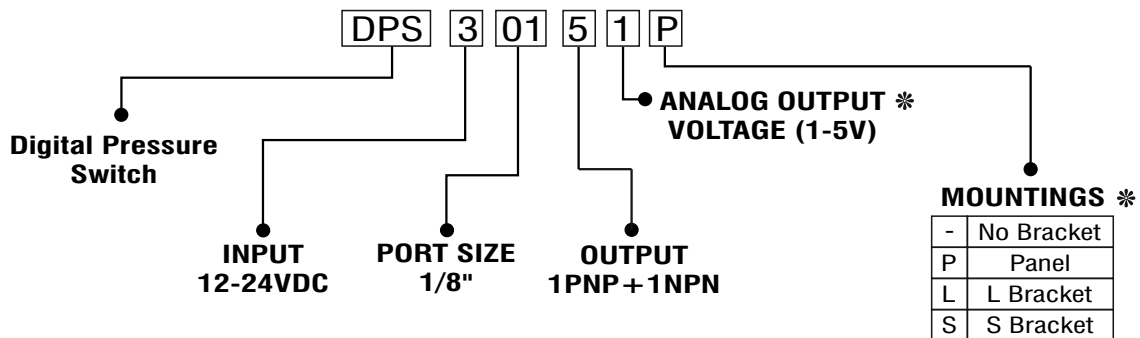
Operating Instruction (Std Setting)



Error Code Description

| Error Code | Problem | Solution |
|------------|-------------------------------|--|
| Err 1 | Exceed zero point reset range | zero pint reset range :10%F.S. Don't over value setting. |
| Err 4 | Incorrect pressure setting | L-1 < H-1 |
| Err 5 | Storage data error | chip error need maintain. |
| HHHH | Exceed pressure measure | adjust the pressure to the range |

Nomenclature



* Optional

Ordering Example :- Digital Pressure Switch, 12VDC, 1/8" BSP Thrd's, 1PNP + 1NPN
1Analog Output (V) With Panel Mounting
Model No:- **DPS30151P**